



★ d s b ★

SEMPLICEMENTE BICI

2 0 2 0

DISTURB #12



25 anni !

Un arrivo e una ripartenza ?

Non mi sono mai posto una scadenza ma sinceramente non pensavo di arrivare a 25 anni.

**Ero partito - credo come molti - con "dai proviamoci, al massimo farò altro"
per poi appassionarmi ed innamorarmi di questo settore
e puntare su DSB tutte le mie carte.**

**Non sempre le cose sono andate come avrei voluto. Mi è capitato e tuttora
mi capita di dire "molto tutto".**

Poi basta una bici nuova o un nuovo prodotto per farmi riaccendere la luce interiore.

E farmi tornare a dire " sono fortunato è 25 anni che faccio un lavoro cha amo"

**Oggi come molti settori la rivoluzione distributiva (molto più della rivoluzione digitale)
apre nuove sfide. DSB vuole rispondere alla crescente "eliminazione" dei distributori
alzando l'asticella del servizio che offriamo a Voi, cari clienti.**

**Solo dimostrando di essere un "plus" all'interno della catena distributiva
possiamo davvero costruire un futuro.**

Ciò che è stato è stato. Dire era meglio 15 anni fa non cambia la realtà.

**Che poi è sempre la stessa necessità dal 1 giorno che DSB esiste: migliorare se stessa
e migliorare la Vostra esperienza con i prodotti che distribuiamo.**

Grazie a tutti per questi primi e meravigliosi 25 anni.

Davide Bonandrini



dsb

SEMPLICEMENTE BICI

2 0 2 0

INMOTION	4
MONDRAKER	8
ROCKY MOUNTAINS	100
YETI	132
PIVOT CYCLES	158
OPEN CYCLE	210
HOPE	214
CAMELBAK	224
ALL MOUNTAIN STYLE	230
BURGTEC	232
DEFEET	236
ERGON	238
FIDLOCK	246
HT COMPONENTS	248
INDUSTRY NINE	256
MUCKY NUTZ	260
PTN - PEPI'S TIRE NOODLE	262
RESOLVBIKE	264

INMOTION

Sì, il futuro della mobilità urbana e della mobilità a corto raggio sta cambiando e il ruolo dei motori elettrici assume un'importanza sempre maggiore.

I prodotti della cinese Inmotion vengono da un know-how maturato in campo robotica e progettazione di veicoli controllati da sensori. Ed arrivare a produrre monopattini e unicycle motorizzati il passo è stato breve.

Nella gamma trovate prodotti di alto livello tecnologico e con una qualità costruttiva ben superiore alle vostre aspettative.

Poi si tratta solo di immaginare dove e come questi dispositivi potrebbero cambiare i vostri spostamenti quotidiani.

Benvenuti in una nuova era...



dsb

SEMPLICEMENTE BICI

2020

L8F

Smart App
Velocità 30 km/h
Distanza fino a 35 km
Peso 12 kg
Power 250 W

€
599,00



INMOTION

E2

Smart App
Velocità 18 km
Peso 13,5 kg
Distanza fino a 22 km

€
519,00



P1F

Smart App
Velocità 30 km/h
Peso 12 kg
Distanza 40 km

€
649,00



E3

Smart App
Velocità 18 km
Peso 13,5 kg
Distanza fino a 30 km

€
649,00



V8

Smart App
Velocità 30 km/h
Peso 13,5 kg
Distanza 50 km

€
1.099





MONDRAKER

Vi sveliamo un fatto: se oggi le Mtb sono diventate "longer, lower and slacker", cioè "più lunghe, più basse e più aperte" è perché in Spagna un manipolo di ingegneri, piloti e tecnici ha deciso di puntarci forte. Quando Mondraker lanciò la Forward Geometry non riscosse subito consensi. Anzi. I tempi non erano abbastanza maturi e forse all'inizio Mondraker si spinse anche troppo oltre. Ma oggi tutti adottano i concetti della Forward Geometry ed è diventata la norma per tutti. Per tutte le Mtb. Un colpo di fortuna?

No, perché Mondraker, nel frattempo ha inventato anche lo Zero Suspension System e un processo di costruzione dei telai in carbonio e in alluminio chiamato Stealth Carbon e Stealth Aluminum. Ed è arrivata, oggi, a proporre queste e altre tecnologie su una vasta gamma di bici ed e-Mtb.

Quando salite in sella, però, aggiornate il vostro chip mentale alla guida che una Mondraker richiede: aprite di più il gas e tutto diventa più facile.



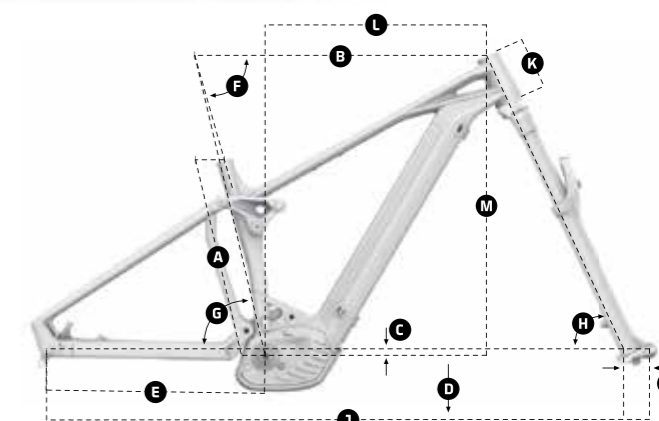
★ d s b ★

SEMPLICEMENTE BICI

2 0 2 0



Frame	Level Stealth Zero Suspension System FG 170mm
Sizes	S / M / L / XL
Rear shock	RockShox Super Deluxe Coil Ultimate RCT 225x75mm Trunnion
Fork	RockShox Lyrik Ultimate Charger 2 RC2 180mm
Headset	Onoff Saturn ACB Bearings integrated tapered 1-1/8"->1-1/2"
Stem	Onoff Krypton FG30, 35mm Barbore
Handlebar	Onoff Krypton Carbon 0.5 780mm 35mm barbore
Grips	Onoff Desert lock-on S/M, L/XL
Seatpost	Onoff Dropper Pija internal 1x lever
Saddle	SDG Fly MTN Ti
Front brake	Sram Code RSC 220mm
Rear brake	Sram Code RSC 200mm
Levers	Sram Code RSC
Rims	DT Swiss HX 1501 SPLINE One 30mm
Spokes	Hybrid System specific SP spoke
Front hub	DT Swiss Hybrid Spline 240s based 15X110mm
Rear hub	DT Swiss Hybrid Spline 240s based 24t Racht 12x148mm
Tires	Maxxis Assegai 29x2.5WT DH 3C TR MaxxGrip
Motor	Bosch Performance Line G4 CX system w/Intube PowerTube 625Wh Bosch battery, Kiox On Board computer. RaceFace Aeffect 165mm ebike cranksets 34T
Bottom bracket	/
Pedals	/
Chain	Sram GX Eagle 12s
Front derailleur	/
Rear derailleur	SRAM X01 Eagle X-Horizon Type3 1x12s
Shifters	SRAM X01 Trigger right single click 12s
Cassette	Sram XG-1230 11-50t Polar 12s
Weight w/o pedals	/



	S	M	L	XL
A Seat Tube Length	380 mm	420 mm	450 mm	490 mm
B Top Tube Length	602 mm	622 mm	647 mm	667 mm
C Bottom Bracket Drop	-15	-15	-15	-15
D Bottom Bracket Height	357 mm	357 mm	357 mm	357 mm
E Chainstay Length	455 mm	455 mm	455 mm	455 mm
F Seat Tube Angle, Actual	73,5°	73,5°	73,5°	73,5°
G Seat Tube Angle, Effective	76,5°	76,5°	76,5°	76,5°
H Head Tube Angle	65°	65°	65°	65°
I Fork Offset	44 mm	44 mm	44 mm	44 mm
J Wheelbase	1250 mm	1270 mm	1290 mm	1310 mm
K Head Tube Length	110 mm	110 mm	130 mm	130 mm
L Reach	450 mm	470 mm	490 mm	510 mm
M Stack	632 mm	632 mm	652 mm	652 mm

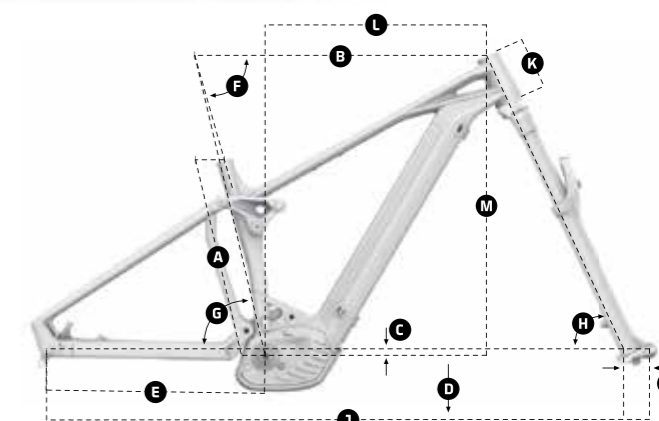
Colore Petrol / White / BoXXer Red

Prezzo

€ 8.499



Frame	Level Stealth Zero Suspension System FG 170mm
Sizes	S / M / L / XL
Rear shock	RockShox Super Deluxe Coil Select+ RT 225x75mm Trunnion
Fork	RockShox Lyrik Select Charger RC 180mm
Headset	Onoff Saturn ACB Bearings integrated tapered 1-1/8"->1-1/2"
Stem	Onoff Sulfur FG30 0°
Handlebar	Onoff Sulfur 1.0 780mm
Grips	Onoff Desert lock-on S/M, L/XL
Seatpost	Onoff Dropper Pija internal 1x lever
Saddle	SDG Fly MTN
Front brake	Sram Code R 220mm
Rear brake	Sram Code R 200mm
Levers	Sram Code R
Rims	DT Swiss Hybrid H1900 SPLINE 30mm
Spokes	Hybrid System specific SP spoke
Front hub	DT Swiss Hybrid Spline 370s based 15X110mm
Rear hub	DT Swiss Hybrid Spline 370s based Pawl System 12x148mm
Tires	Maxxis Assegai 29x2.5WT DH 3C TR MaxGrip
Motor	Bosch Performance Line G4 CX system w/Intube PowerTube 625Wh Bosch battery, Kiox On Board computer. RaceFace Aeffect 165mm ebike cranksets 34T
Bottom bracket	/
Pedals	/
Chain	Sram SX Eagle 12s
Front derailleur	/
Rear derailleur	Sram SX Eagle X-Horizon Type3 1x12s
Shifters	Sram SX Eagle right single click 12s
Cassette	Sram Eagle XG1210 11-50t 12s
Weight w/o pedals	/



	S	M	L	XL
A Seat Tube Length	380 mm	420 mm	450 mm	490 mm
B Top Tube Length	602 mm	622 mm	647 mm	667 mm
C Bottom Bracket Drop	-15	-15	-15	-15
D Bottom Bracket Height	357 mm	357 mm	357 mm	357 mm
E Chainstay Length	455 mm	455 mm	455 mm	455 mm
F Seat Tube Angle, Actual	73,5°	73,5°	73,5°	73,5°
G Seat Tube Angle, Effective	76,5°	76,5°	76,5°	76,5°
H Head Tube Angle	65°	65°	65°	65°
I Fork Offset	44 mm	44 mm	44 mm	44 mm
J Wheelbase	1250 mm	1270 mm	1290 mm	1310 mm
K Head Tube Length	110 mm	110 mm	130 mm	130 mm
L Reach	450 mm	470 mm	490 mm	510 mm
M Stack	632 mm	632 mm	652 mm	652 mm

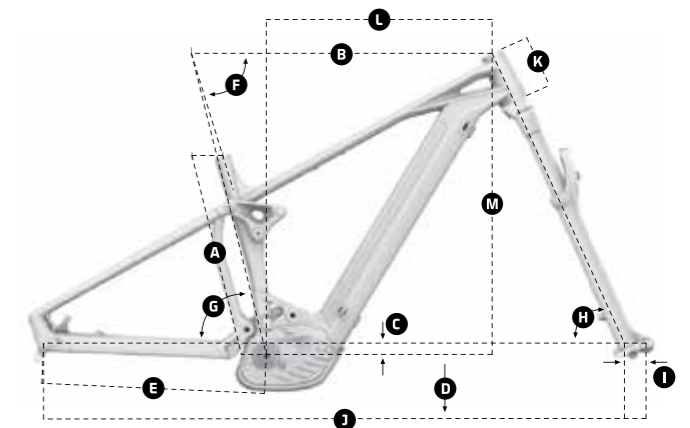
Colore FOX Orange / Black / Light Green

Prezzo

€ 5.999



Frame	Crafty Stealth Zero Suspension System FG 150mm
Sizes	S / M / L / XL
Rear shock	Fox Float DPX2 3Pos Performance 205x65mm Trunnion
Fork	Fox 36 29 Rhythm Grip eBike optimized Boost 160mm
Headset	Onoff Saturn ACB Bearings integrated tapered 1-1/8"->1-1/2"
Stem	Onoff Sulfur FG30 0°
Handlebar	Onoff Sulfur 1.0 780mm
Grips	Onoff Desert lock-on S/M, L/XL
Seatpost	Onoff Dropper Pija internal 1x lever
Saddle	SDG Bel-Air 2.0 CR-MO rail
Front brake	Shimano MT520 203mm, 4piston caliper
Rear brake	Shimano MT520 203mm, 4piston caliper
Levers	Shimano MT520
Rims	DT Swiss Hybrid H1900 SPLINE 30mm
Spokes	Hybrid System specific SP spoke
Front hub	DT Swiss Hybrid Spline 370s based 15X110mm
Rear hub	DT Swiss Hybrid Spline 370s based Pawl System 12x148mm
Tires	Maxxis DHF 29x2.6WT 3C EXO+ TR MaxxTerra / DHR II 29x2.6WT 3C EXO+ TR MaxxTerra
Motor	Bosch Performance Line G4 CX system w/Intube PowerTube 625Wh Bosch battery, Kiox On Board computer. RaceFace Aeffect 165mm ebike cranksets 34T
Bottom bracket	/
Pedals	/
Chain	Sram SX Eagle 12s
Front derailleur	/
Rear derailleur	Sram SX Eagle X-Horizon Type3 1x12s
Shifters	Sram SX Eagle right single click 12s
Cassette	Sram Eagle XG1210 11-50t 12s
Weight w/o pedals	/

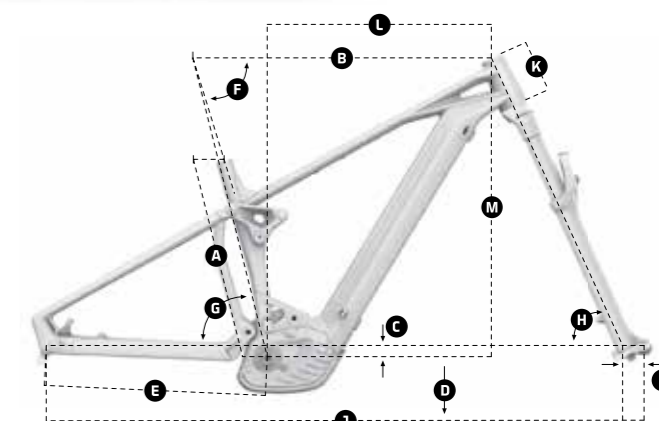


	S	M	L	XL
A Seat Tube Length	380 mm	420 mm	450 mm	490 mm
B Top Tube Length	605 mm	625 mm	650 mm	670 mm
C Bottom Bracket Drop	-25	-25	-25	-25
D Bottom Bracket Height	345 mm	345 mm	345 mm	345 mm
E Chainstay Length	455 mm	455 mm	455 mm	455 mm
F Seat Tube Angle, Actual	73,5°	73,5°	73,5°	73,5°
G Seat Tube Angle, Effective	76°	76°	76°	76°
H Head Tube Angle	65,5°	65,5°	65,5°	65,5°
I Fork Offset	44 mm	44 mm	44 mm	44 mm
J Wheelbase	1225 mm	1245 mm	1265 mm	1285 mm
K Head Tube Length	110 mm	110 mm	130 mm	130 mm
L Reach	450 mm	470 mm	490 mm	510 mm
M Stack	622 mm	622 mm	640 mm	640 mm

Colore	Black / Nimbus Grey / White Black / Flame Red / White
Prezzo	€ 5.599



Frame	Chaser Stealth Zero Suspension System FG 150mm
Sizes	S / M / L / XL
Rear shock	RockShox Deluxe Select R 205x65mm Trunion
Fork	RockShox Recon RL 29 Solo Air Boost 150mm
Headset	Onoff Saturn ACB Bearings integrated tapered 1-1/8"->1-1/2"
Stem	Onoff Sulfur FG30 0°
Handlebar	Onoff Sulfur 1.0 780mm
Grips	Onoff Twin lock-on
Seatpost	Onoff Dropper Pija internal 1x lever
Saddle	Mondraker e-MTB custom design
Front brake	Shimano MT501 203mm
Rear brake	Shimano MT501 203mm
Levers	Shimano MT501
Rims	MDK-HP1 TL35ASY 35mm
Spokes	CN stainless
Front hub	MDK Disc Pro Boost 15x110mm
Rear hub	MDK Disc Pro Boost E 12x148mm
Tires	Maxxis Rekon TR Dual Exo 27'5x2.8
Motor	Bosch Performance Line G4 CX system w/Intube PowerTube 625Wh Bosch battery, Purion On Board computer. RaceFace Aeffect 165mm ebike cranksets 34T
Bottom bracket	/
Pedals	/
Chain	Sram SX Eagle 12s
Front derailleur	/
Rear derailleur	Sram SX Eagle X-Horizon Type3 1x12s
Shifters	Sram SX Eagle right single click 12s
Cassette	Sram Eagle XG1210 11-50t 12s
Weight w/o pedals	/



	S	M	L	XL
A Seat Tube Length	380 mm	420 mm	450 mm	490 mm
B Top Tube Length	602 mm	622 mm	647 mm	667 mm
C Bottom Bracket Drop	-28	-28	-28	-28
D Bottom Bracket Height	335 mm	335 mm	335 mm	335 mm
E Chainstay Length	455 mm	455 mm	455 mm	455 mm
F Seat Tube Angle, Actual	73,8°	73,8°	73,8°	73,8°
G Seat Tube Angle, Effective	76,3°	76,3°	76,3°	76,3°
H Head Tube Angle	66°	66°	66°	66°
I Fork Offset	44 mm	44 mm	44 mm	44 mm
J Wheelbase	1222 mm	1242 mm	1262 mm	1282 mm
K Head Tube Length	110 mm	110 mm	130 mm	130 mm
L Reach	453 mm	473 mm	493 mm	513 mm
M Stack	620 mm	620 mm	638 mm	638 mm

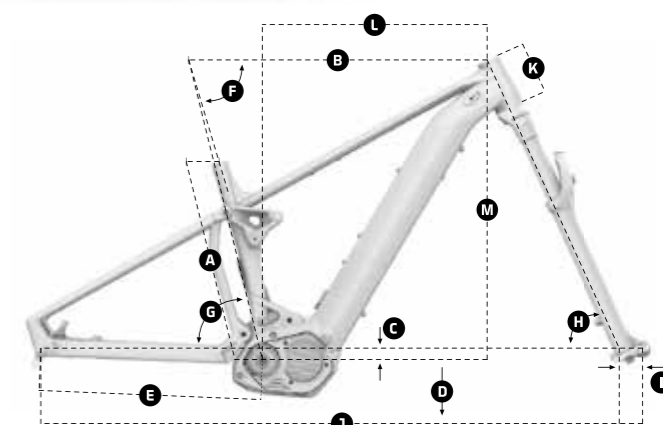
Colore Black / Light Blue / Flame Red
FOX Orange / Black / Light Green

Prezzo

€
11.999



Frame	Dusk Stealth Zero Suspension System FG 150mm
Sizes	S / M / L / XL
Rear shock	Fox Float DPS 3Pos Performance 205x65mm Trunnion
Fork	Fox 36 29 Rhythm Grip eBike optimized Boost 160mm
Headset	Onoff Saturn ACB Bearings integrated tapered 1-1/8"->1-1/2"
Stem	Onoff Sulfur FG30 0°
Handlebar	Onoff Sulfur 1.0 780mm
Grips	Onoff Twin lock-on
Seatpost	Onoff Dropper Pija internal 1x lever
Saddle	Mondraker e-MTB custom design
Front brake	Shimano MT520 203mm, 4piston caliper
Rear brake	Shimano MT520 203mm, 4piston caliper
Levers	Shimano MT520
Rims	DT Swiss Hybrid H1900 SPLINE 30mm
Spokes	Hybrid System specific SP spoke
Front hub	DT Swiss Hybrid Spline 370s based 15X110mm
Rear hub	DT Swiss Hybrid Spline 370s based Pawl System 12x148mm
Tires	Maxxis Rekon TR Dual Exo 29x2.6
Motor	Shimano E8000 drive unit, TP-SMN05 630Wh integrated battery + TP-SMN03 360Wh range extended portable battery, FG-E8000 crankset 34t 165mm
Bottom bracket	/
Pedals	/
Chain	Sram SX Eagle 12s
Front derailleur	/
Rear derailleur	Sram GX Eagle X-Horizon Type3 1x12s
Shifters	Sram SX Eagle right single click 12s
Cassette	Sram Eagle XG1210 11-50t 12s
Weight w/o pedals	/



	S	M	L	XL
A Seat Tube Length	380 mm	420 mm	450 mm	490 mm
B Top Tube Length	605 mm	625 mm	650 mm	670 mm
C Bottom Bracket Drop	-25	-25	-25	-25
D Bottom Bracket Height	354 mm	354 mm	354 mm	354 mm
E Chainstay Length	455 mm	455 mm	455 mm	455 mm
F Seat Tube Angle, Actual	73,5°	73,5°	73,5°	73,5°
G Seat Tube Angle, Effective	76°	76°	76°	76°
H Head Tube Angle	65,5°	65,5°	65,5°	65,5°
I Fork Offset	44 mm	44 mm	44 mm	44 mm
J Wheelbase	1225 mm	1245 mm	1265 mm	1285 mm
K Head Tube Length	110 mm	110 mm	130 mm	130 mm
L Reach	450 mm	470 mm	490 mm	510 mm
M Stack	622 mm	622 mm	640 mm	640 mm

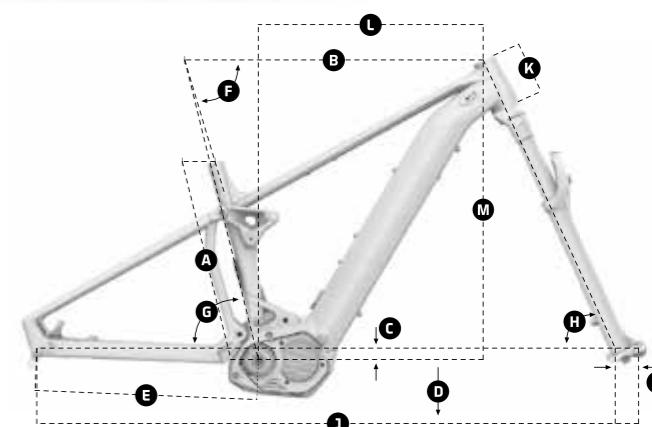
Colore Black / Light Blue / Flame Red

Prezzo (Seconda batteria inclusa)

€ 6.299



Frame	Dusk Stealth Zero Suspension System FG 150mm
Sizes	S / M / L / XL
Rear shock	RockShox Deluxe Select R 205x65mm Trunion
Fork	RockShox Recon RL 29 Solo Air Boost 150mm
Headset	Onoff Saturn ACB Bearings integrated tapered 1-1/8"->1-1/2"
Stem	Onoff Sulfur FG30 0°
Handlebar	Onoff Sulfur 1.0 780mm
Grips	Onoff Twin lock-on
Seatpost	Onoff Dropper Pija internal 1x lever
Saddle	Mondraker e-MTB custom design
Front brake	Shimano MT501 203mm
Rear brake	Shimano MT501 203mm
Levers	Shimano MT501
Rims	MDK-HP1 TL30ASY 30mm
Spokes	CN stainless
Front hub	MDK Disc Pro Boost 15x110mm
Rear hub	MDK Disc Pro Boost E 12x148mm
Tires	Maxxis Rekon TR Dual Exo 29x2.6
Motor	Shimano E8000 drive unit, TP-SMN05 630Wh integrated battery + TP-SMN03 360Wh range extended portable battery, FG-E8000 crankset 34t 165mm
Bottom bracket	/
Pedals	/
Chain	Sram SX Eagle 12s
Front derailleur	/
Rear derailleur	Sram SX Eagle X-Horizon Type3 1x12s
Shifters	Sram SX Eagle right single click 12s
Cassette	Sram Eagle XG1210 11-50t 12s
Weight w/o pedals	/



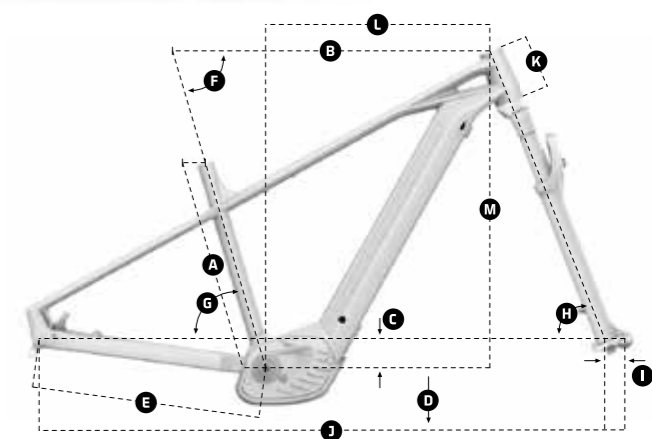
	S	M	L	XL
A Seat Tube Length	380 mm	420 mm	450 mm	490 mm
B Top Tube Length	602 mm	622 mm	647 mm	667 mm
C Bottom Bracket Drop	-28	-28	-28	-28
D Bottom Bracket Height	353 mm	353 mm	353 mm	353 mm
E Chainstay Length	455 mm	455 mm	455 mm	455 mm
F Seat Tube Angle, Actual	73,8°	73,8°	73,8°	73,8°
G Seat Tube Angle, Effective	76,3°	76,3°	76,3°	76,3°
H Head Tube Angle	66°	66°	66°	66°
I Fork Offset	44 mm	44 mm	44 mm	44 mm
J Wheelbase	1222 mm	1242 mm	1262 mm	1282 mm
K Head Tube Length	110 mm	110 mm	130 mm	130 mm
L Reach	453 mm	473 mm	493 mm	513 mm
M Stack	620 mm	620 mm	638 mm	638 mm

Colore	Black / FOX Orange / Light Green
Prezzo	(Seconda batteria inclusa)

€ 5.299



Frame	Prime Stealth FG
Sizes	XS / S / M / L / XL
Rear shock	/
Fork	RockShox Judy Silver TK 29 Solo Air black stanchions Boost tapered 120mm
Headset	Onoff Saturn ACB Bearings integrated tapered 1-1/8"->1-1/2"
Stem	Onoff Sulfur FG30 0°
Handlebar	Onoff Sulfur 1.0 780mm
Grips	Onoff Twin lock-on
Seatpost	Onoff Sulfur 0-R 31.6x400mm
Saddle	Mondraker e-MTB custom design
Front brake	Shimano MT201 203mm
Rear brake	Shimano MT201 180mm
Levers	Shimano MT201
Rims	MDK-HP1 TL30ASY 30mm
Spokes	CN stainless
Front hub	MDK Disc Pro Boost 15x110mm
Rear hub	MDK Disc Pro Boost E 12x148mm
Tires	Maxxis Rekon TR Dual Exo 29x2.6
Motor	Bosch Performance Line G4 CX system w/Intube PowerTube 625Wh Bosch battery, Purion On Board computer. RaceFace Aeffect 165mm ebike cranksets 34T
Bottom bracket	/
Pedals	/
Chain	Sram SX Eagle 12s
Front derailleur	/
Rear derailleur	Sram SX Eagle X-Horizon Type3 1x12s
Shifters	Sram SX Eagle right single click 12s
Cassette	Sram Eagle XG1210 11-50t 12s
Weight w/o pedals	/

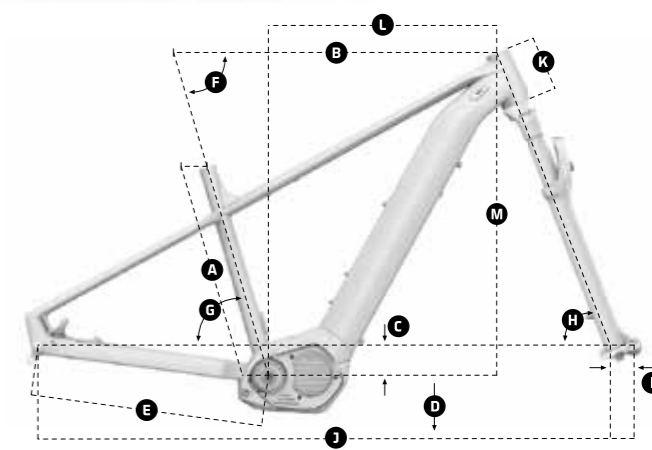


	XS	S	M	L	XL
A Seat Tube Length	380 mm	390 mm	430 mm	470 mm	510 mm
B Top Tube Length	600 mm	615 mm	645 mm	670 mm	700 mm
C Bottom Bracket Drop	-60 mm	-60 mm	-60 mm	-60 mm	-60 mm
D Bottom Bracket Height	318 mm	318 mm	318 mm	318 mm	318 mm
E Chainstay Length	455 mm	455 mm	455 mm	455 mm	455 mm
F Seat Tube Angle, Actual	73,5°	73,5°	73,5°	73,5°	73,5°
G Seat Tube Angle, Effective	73,5°	73,5°	73,5°	73,5°	73,5°
H Head Tube Angle	69°	69°	69°	69°	69°
I Fork Offset	51 mm	51 mm	51 mm	51 mm	51 mm
J Wheelbase	1138mm	1153 mm	1183 mm	1210 mm	1240 mm
K Head Tube Length	110 mm	110 mm	110 mm	130 mm	130 mm
L Reach	410 mm	425 mm	455 mm	480 mm	505 mm
M Stack	640 mm	640 mm	640 mm	658 mm	658 mm

Colore	Black / Nimbus Grey / Flame Red Black / Light Blue / Flame Red
Prezzo	€ 3.999



Frame	Thundra Stealth FG
Sizes	XS / S / M / L / XL
Rear shock	/
Fork	RockShox Recon RL 29 Solo Air Boost 120mm
Headset	Onoff Saturn ACB Bearings integrated tapered 1-1/8"->1-1/2"
Stem	Onoff Sulfur FG30 0°
Handlebar	Onoff Sulfur 1.0 780mm
Grips	Onoff Shaper
Seatpost	Onoff Sulfur 0-R 31.6x400mm
Saddle	Mondraker e-MTB custom design
Front brake	Shimano MT201 203mm
Rear brake	Shimano MT201 180mm
Levers	Shimano MT201
Rims	MDK-HP1 TL30ASY 30mm
Spokes	CN stainless
Front hub	MDK Disc Pro Boost 15x110mm
Rear hub	MDK Disc Pro Boost E 12x148mm
Tires	Maxxis Rekon TR Dual Exo 29x2.6
Motor	Shimano E7000 drive unit, TP-SMN05 630Wh integrated battery + TP-SMN03 360Wh range extended portable battery, FC-E8000 crankset 34t 165mm
Bottom bracket	/
Pedals	/
Chain	Sram SX Eagle 12s
Front derailleur	/
Rear derailleur	Sram SX Eagle X-Horizon Type3 1x12s
Shifters	Sram SX Eagle right single click 12s
Cassette	Sram Eagle XG1210 11-50t 12s
Weight w/o pedals	/



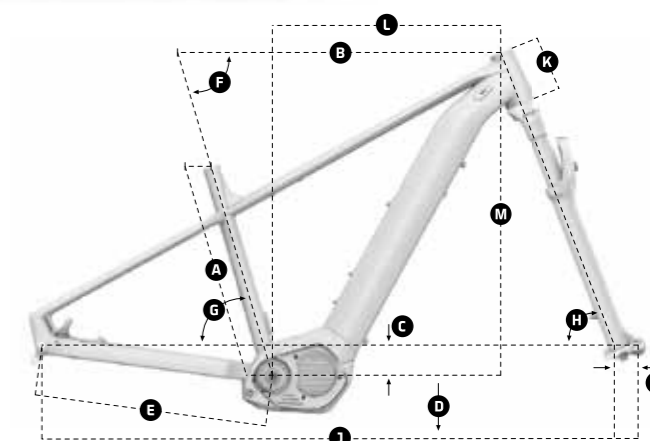
	XS	S	M	L	XL
A Seat Tube Length	380 mm	390 mm	430 mm	470 mm	510 mm
B Top Tube Length	600 mm	615 mm	645 mm	670 mm	700 mm
C Bottom Bracket Drop	-60 mm	-60 mm	-60 mm	-60 mm	-60 mm
D Bottom Bracket Height	317 mm	317 mm	317 mm	317 mm	317 mm
E Chainstay Length	455 mm	455 mm	455 mm	455 mm	455 mm
F Seat Tube Angle, Actual	73,5°	73,5°	73,5°	73,5°	73,5°
G Seat Tube Angle, Effective	73,5°	73,5°	73,5°	73,5°	73,5°
H Head Tube Angle	69°	69°	69°	69°	69°
I Fork Offset	51 mm	51 mm	51 mm	51 mm	51 mm
J Wheelbase	1138 mm	1153 mm	1183 mm	1210 mm	1240 mm
K Head Tube Length	110 mm	110 mm	110 mm	130 mm	130 mm
L Reach	410 mm	425 mm	455 mm	480 mm	505 mm
M Stack	640 mm	640 mm	640 mm	658 mm	658 mm

Colore Black / White / Flame Red
 Prezzo (Seconda batteria inclusa)

€ 4.499



Frame	Thundra Stealth FG 150mm
Sizes	XS / S / M / L / XL
Rear shock	/
Fork	RockShox Judy Silver TK 29 Solo Air black stanchions Boost tapered 120mm
Headset	Onoff Saturn ACB Bearings integrated tapered 1-1/8"->1-1/2"
Stem	Onoff Sulfur FG30 0°
Handlebar	Onoff Sulfur 1.0 780mm
Grips	Onoff Shaper
Seatpost	Onoff Sulfur 0-R 31.6x400mm
Saddle	Mondraker e-MTB custom design
Front brake	Shimano MT201 203mm
Rear brake	Shimano MT201 180mm
Levers	Shimano MT201
Rims	MDK-HP1 TL30ASY 30mm
Spokes	CN stainless
Front hub	MDK Disc Pro Boost 15x110mm
Rear hub	MDK Disc Pro Boost E 12x148mm
Tires	Maxxis Rekon TR Dual Exo 29x2.6
Motor	Shimano E7000 drive unit, TP-SMN05 630Wh integrated battery, FC-E8000 crankset 34t 165mm
Bottom bracket	/
Pedals	/
Chain	Sram SX Eagle 12s
Front derailleur	/
Rear derailleur	Sram SX Eagle X-Horizon Type3 1x12s
Shifters	Sram SX Eagle right single click 12s
Cassette	Sram Eagle XG1210 11-50t 12s
Weight w/o pedals	/



	XS	S	M	L	XL
A Seat Tube Length	380 mm	390 mm	430 mm	470 mm	510 mm
B Top Tube Length	600 mm	615 mm	645 mm	670 mm	700 mm
C Bottom Bracket Drop	-60 mm	-60 mm	-60 mm	-60 mm	-60 mm
D Bottom Bracket Height	304 mm	304 mm	304 mm	304 mm	304 mm
E Chainstay Length	455 mm	455 mm	455 mm	455 mm	455 mm
F Seat Tube Angle, Actual	73,5°	73,5°	73,5°	73,5°	73,5°
G Seat Tube Angle, Effective	73,5°	73,5°	73,5°	73,5°	73,5°
H Head Tube Angle	69°	69°	69°	69°	69°
I Fork Offset	51 mm	51 mm	51 mm	51 mm	51 mm
J Wheelbase	1138 mm	1153 mm	1183 mm	1210 mm	1240 mm
K Head Tube Length	110 mm	110 mm	110 mm	130 mm	130 mm
L Reach	410 mm	425 mm	455 mm	480 mm	505 mm
M Stack	640 mm	640 mm	640 mm	658 mm	658 mm

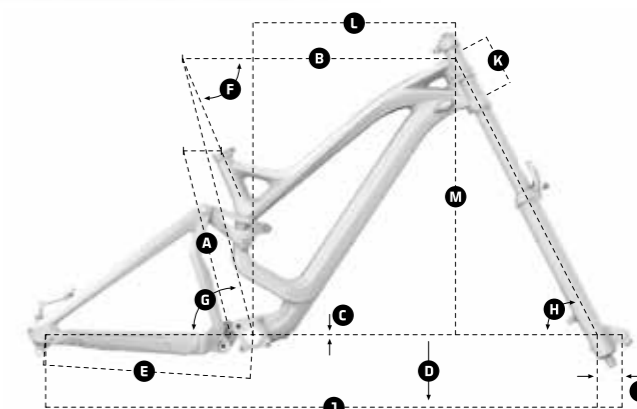
Colore Flame Red / Light Blue

Prezzo (Seconda batteria non inclusa)

€ 3.499



Frame	Summum Stealth Full Carbon Zero Suspension System FG 205mm
Sizes	S / M / L / XL
Rear shock	Fox DHX2 Factory Kashima SLS Spring 222x70mm
Fork	Fox 40 27.5 Float FitGrip2 HSC LSC HSR LSR Factory Kashima 20mm 1-1/8" 203mm
Headset	Onoff Mercurium 1-1/2" reducer for geometry kit
Stem	Onoff Krypton DH Integrated FG 20-30mm
Handlebar	Renthal Fatbar 30mm rise 780mm
Grips	Renthal Lock-on Grip Kevlar
Seatpost	SDG I-Beam SP-951 Carbon 31.6 300mm
Saddle	SDG I-Beam I-Fly 2.0 Eva
Front brake	Shimano Saint M820 203mm
Rear brake	Shimano Saint M820 203mm
Levers	Shimano Saint
Rims	Mavic Deemax DH 27,5 30mm
Spokes	Mavic 28/28 J-bend steel
Front hub	Mavic Deemax DH 20x110mm
Rear hub	Mavic Deemax DH 12x150mm
Tires	Maxxis Assegai 27'5x2.5WT 3C/TR/DH MaxxGrip
Crankset	Shimano Saint M825 165mm 36t
Bottom bracket	Shimano 83mm
Pedals	/
Chain	Shimano HG95 10s
Front derailleur	Chainguide E.13 LG1+ Race Carbon ISCG05 w/Bash
Rear derailleur	Shimano Saint RD-M820-SS 10s
Shifters	Shimano Saint SL-M820 10s
Cassette	Shimano CS-HG500-10 11-25t
Weight w/o pedals	/



	S	M	L	XL
A Seat Tube Length	400 mm	400 mm	400 mm	400 mm
B Top Tube Length	575 mm	600 mm	622 mm	647 mm
C Bottom Bracket Drop	0 mm	0 mm	0 mm	0 mm
D Bottom Bracket Height	350 mm	350 mm	350 mm	350 mm
E Chainstay Length	445-460 mm	445-460 mm	445-460 mm	445-460 mm
F Seat Tube Angle, Actual	65°	65°	65°	65°
G Seat Tube Angle, Effective	73,5°	73,5°	73,5°	73,5°
H Head Tube Angle	63° (+/-2°)	63° (+/-2°)	63° (+/-2°)	63° (+/-2°)
I Fork Offset	52 mm	52 mm	52 mm	52 mm
J Wheelbase (445 mm)	1200 mm	1225 mm	1250 mm	1280 mm
K Head Tube Length	112 mm	112 mm	122 mm	122 mm
L Reach	397 mm	422 mm	442 mm	468 mm
M Stack	597 mm	597 mm	606 mm	606 mm

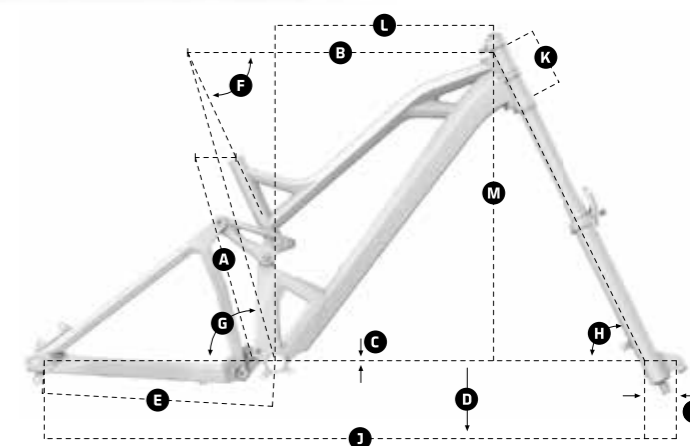
Colore Light Blue / Flame Red / Carbon

Prezzo

€ 8.999



Frame	Summum Stealth Zero Suspension System FG 205mm
Sizes	S / M / L / XL
Rear shock	Fox DHX2 Performance Elite 222x70mm
Fork	Fox 40 27'5 Float FitGrip2 HSC LSC HSR LSR Factory Kashima 20mm 1-1/8" 203mm
Headset	Onoff Mercurium 1.5 ZS Integrated reduced
Stem	Onoff Krypton DH Integrated FG 20-30mm
Handlebar	Onoff Sulfur 1.0 780mm
Grips	Onoff Desert lock-on S/M, L/XL
Seatpost	SDG I-Beam SP-751 31.6 300mm
Saddle	SDG I-Beam I-Fly 2.0
Front brake	Shimano ZEE 203mm
Rear brake	Shimano ZEE 203mm
Levers	Shimano ZEE
Rims	Mavic Deemax DH 27,5 30mm
Spokes	Mavic 28/28 J-bend steel
Front hub	Mavic Deemax DH 20x110mm
Rear hub	Mavic Deemax DH 12x150mm
Tires	Maxxis Minion DHR II Super Tacky compound Wire 27'5x2.4
Crankset	Shimano Zee M645 165mm 36t
Bottom bracket	Shimano 73mm
Pedals	/
Chain	Shimano HG54 10s
Front derailleur	Chainguide E.13 LG1+ ISCG05 w/Bash
Rear derailleur	Shimano Zee RD-M640-SS 10s
Shifters	Shimano Zee SL-M640 10s
Cassette	Shimano CS-HG500-10 11-25t
Weight w/o pedals	/



	S	M	L	XL
A Seat Tube Length	400 mm	400 mm	400 mm	400 mm
B Top Tube Length	575 mm	600 mm	622 mm	647 mm
C Bottom Bracket Drop	0 mm	0 mm	0 mm	0 mm
D Bottom Bracket Height	350 mm	350 mm	350 mm	350 mm
E Chainstay Length	445-460 mm	445-460 mm	445-460 mm	445-460 mm
F Seat Tube Angle, Actual	65°	65°	65°	65°
G Seat Tube Angle, Effective	73,5°	73,5°	73,5°	73,5°
H Head Tube Angle	63° (+/-2°)	63° (+/-2°)	63° (+/-2°)	63° (+/-2°)
I Fork Offset	52 mm	52 mm	52 mm	52 mm
J Wheelbase (445 mm)	1200 mm	1225 mm	1250 mm	1280 mm
K Head Tube Length	112 mm	112 mm	122 mm	122 mm
L Reach	397 mm	422 mm	442 mm	468 mm
M Stack	597 mm	597 mm	606 mm	606 mm

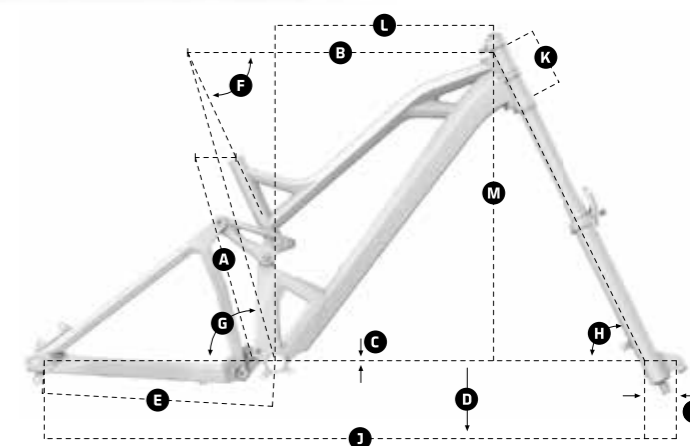
Colore Light Blue / Flame Red / Black

Prezzo

€
5.999



Frame	Summum Stealth Zero Suspension System FG 205mm
Sizes	S / M / L / XL
Rear shock	Fox Van RC Performance LSC 222x70mm
Fork	RockShox Boxxer Select RC 27'5 boost 200mm
Headset	Onoff Mercurium 1.5 ZS Integrated reduced
Stem	Onoff Krypton DH Integrated FG 20-30mm
Handlebar	Onoff Sulfur 1.0 780mm
Grips	Onoff Twin lock-on
Seatpost	SDG I-Beam SP-751 31.6 300mm
Saddle	SDG I-Beam I-Fly 2.0
Front brake	Sram Code R 200mm
Rear brake	Sram Code R 200mm
Levers	Sram Code R
Rims	MDK-DP1 27'5 wheelset
Spokes	CN Stainless
Front hub	MDK Disc Pro DH 20mm
Rear hub	MDK Disc Pro DH 12x150mm
Tires	Maxxis Minion DHR II Super Tacky compound Wire 27'5x2.4
Crankset	Truvativ Ruktion 1.0 165mm 36t
Bottom bracket	Sram GXP
Pedals	/
Chain	Sram PC951
Front derailleur	Chainguide E.13 LG1 ISCG05 w/Bash
Rear derailleur	Sram RD X7 short cage 9s
Shifters	Sram SL X5 right side 9s
Cassette	Sram PG-950 11-26 9s
Weight w/o pedals	/



	S	M	L	XL
A Seat Tube Length	400 mm	400 mm	400 mm	400 mm
B Top Tube Length	575 mm	600 mm	622 mm	647 mm
C Bottom Bracket Drop	0 mm	0 mm	0 mm	0 mm
D Bottom Bracket Height	350 mm	350 mm	350 mm	350 mm
E Chainstay Length	445-460 mm	445-460 mm	445-460 mm	445-460 mm
F Seat Tube Angle, Actual	65°	65°	65°	65°
G Seat Tube Angle, Effective	73,5°	73,5°	73,5°	73,5°
H Head Tube Angle	63° (+/-2°)	63° (+/-2°)	63° (+/-2°)	63° (+/-2°)
I Fork Offset	52 mm	52 mm	52 mm	52 mm
J Wheelbase (445 mm)	1200 mm	1225 mm	1250 mm	1280 mm
K Head Tube Length	112 mm	112 mm	122 mm	122 mm
L Reach	397 mm	422 mm	442 mm	468 mm
M Stack	597 mm	597 mm	606 mm	606 mm

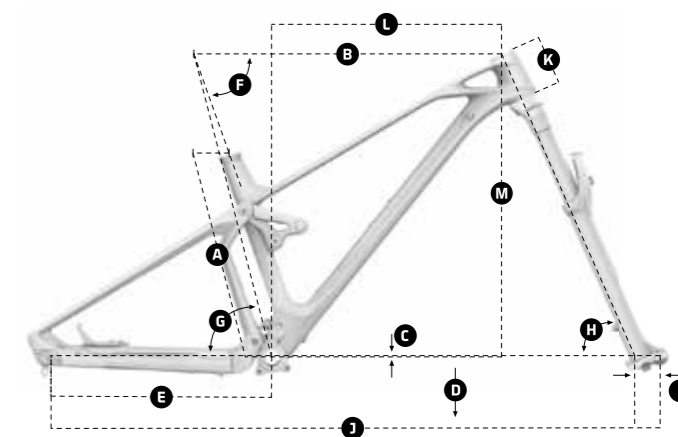
Colore White / Flame Red / Black

Prezzo

€
3.999



Frame	SuperFoxy Stealth Air Full Carbon Zero Suspension System FG 160mm
Sizes	S / M / L / XL
Rear shock	Fox DHX2 2Pos Factory Kashima SLS Spring 205x65mm Trunnion
Fork	Fox 36 Float 29 FitGrip2 HSC LSC HSR LSR Factory Kashima Boost 170mm
Headset	Onoff Titan Internal tapered 1-1/8"->1-1/2"
Stem	Onoff Krypton FG30, 35mm Barbore
Handlebar	Onoff Krypton Carbon 0.5 780mm 35mm barbore
Grips	Onoff Desert lock-on S/M, L/XL
Seatpost	Fox Transfer Factory Kashima Internal 1X
Saddle	SDG Fly MTN TI
Front brake	Sram Code RSC 200mm
Rear brake	Sram Code RSC 200mm
Levers	Sram Code RSC
Rims	DT Swiss EX1501 Spline One 30mm 29 wheelset
Spokes	DT Competition Straight pull
Front hub	DT Spline One 240s 15x110mm CL
Rear hub	DT Spline One 240s SuperBoost 12x157mm MicroSpline freehub CL
Tires	Maxxis Minion DHF 29x2.5WT 3C/EXO/TR MaxxTerra / Maxxis Minion DHR II 29X2.40WT 3C/EXO/TR MaxxTerra
Crankset	Race Face Next R Carbon DM 32T Superboost
Bottom bracket	Race Face BSA 73mm
Pedals	/
Chain	Shimano XTR CN-M9100 12s
Front derailleur	/
Rear derailleur	Shimano XTR RD-M9100 SGS 12s
Shifters	Shimano XTR SL-9100 12s
Cassette	Shimano XTR CS-M9100 10-51T 12s
Weight w/o pedals	/



	S	M	L	XL
A Seat Tube Length	380 mm	420 mm	470 mm	510 mm
B Top Tube Length	603 mm	626 mm	651 mm	675 mm
C Bottom Bracket Drop	-14 mm	-14 mm	-14 mm	-14 mm
D Bottom Bracket Height	357 mm	357 mm	357 mm	357 mm
E Chainstay Length	440-450 mm	440-450 mm	440-450 mm	440-450 mm
F Seat Tube Angle, Actual	70,5°	70,5°	70,5°	70,5°
G Seat Tube Angle, Effective	75,5°	75,5°	75,5°	75,5°
H Head Tube Angle	65°	65°	65°	65°
I Fork Offset	44 mm	44 mm	44 mm	44 mm
J Wheelbase	1197 mm	1220 mm	1246 mm	1272 mm
K Head Tube Length	90 mm	100 mm	115 mm	130 mm
L Reach	450 mm	470 mm	490 mm	510 mm
M Stack	605 mm	614 mm	628 mm	642 mm

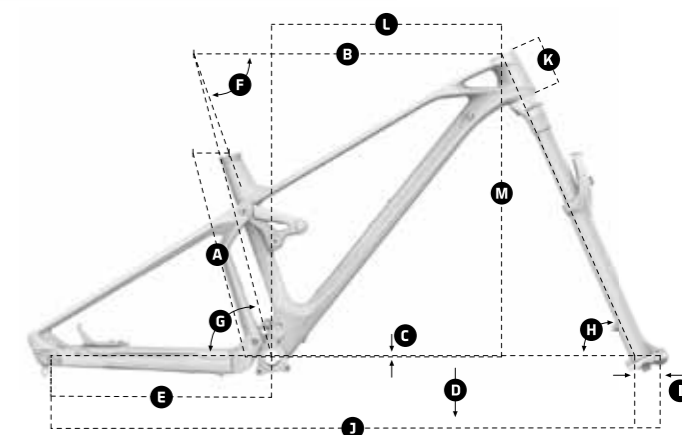
Colore Deep Blue / Light Blue / Flame Red

Prezzo

€ 8.999



Frame	SuperFoxy Stealth Air Full Carbon Zero Suspension System FG 160mm
Sizes	S / M / L / XL
Rear shock	Fox X2 Performance 2Pos 205x65mm Trunnion
Fork	Fox 36 Float 29 FitGrip2 HSC LSC HSR Factory Kashima Boost 170mm
Headset	Onoff Titan Internal tapered 1-1/8"->1-1/2"
Stem	Onoff Krypton FG30, 35mm Barbore
Handlebar	Onoff Krypton Carbon 0.5 780mm 35mm barbore
Grips	Onoff Desert lock-on S/M, L/XL
Seatpost	Onoff Dropper Pija internal 1x lever
Saddle	SDG Fly MTN TI
Front brake	Sram Code R 200mm
Rear brake	Sram Code R 200mm
Levers	Sram Code R
Rims	DT Swiss E1700 Spline 30mm 29 wheelset
Spokes	DT Competition Straight pull
Front hub	DT 350 Boost 15x110mm CL
Rear hub	DT 350 SuperBoost 12X157mm MicroSpline freehub CL
Tires	Maxxis Minion DHF 29x2.5WT 3C/EXO/TR MaxxTerra / Maxxis Minion DHR II 29X2.40WT 3C/EXO/TR MaxxTerra
Crankset	RaceFace Turbine DM32 SuperBoost
Bottom bracket	Race Face BSA 73mm
Pedals	/
Chain	Shimano XT CN-M8100 12s
Front derailleur	/
Rear derailleur	Shimano XT RD-M8100 SGS 12s
Shifters	Shimano XT SL-8100 12s
Cassette	Shimano XT CS-M8100 10-51T 12s
Weight w/o pedals	/



	S	M	L	XL
A Seat Tube Length	380 mm	420 mm	470 mm	510 mm
B Top Tube Length	603 mm	626 mm	651 mm	675 mm
C Bottom Bracket Drop	-14 mm	-14 mm	-14 mm	-14 mm
D Bottom Bracket Height	357 mm	357 mm	357 mm	357 mm
E Chainstay Length	440-450 mm	440-450 mm	440-450 mm	440-450 mm
F Seat Tube Angle, Actual	70,5°	70,5°	70,5°	70,5°
G Seat Tube Angle, Effective	75,5°	75,5°	75,5°	75,5°
H Head Tube Angle	65°	65°	65°	65°
I Fork Offset	44 mm	44 mm	44 mm	44 mm
J Wheelbase	1197 mm	1220 mm	1246 mm	1272 mm
K Head Tube Length	90 mm	100 mm	115 mm	130 mm
L Reach	450 mm	470 mm	490 mm	510 mm
M Stack	605 mm	614 mm	628 mm	642 mm

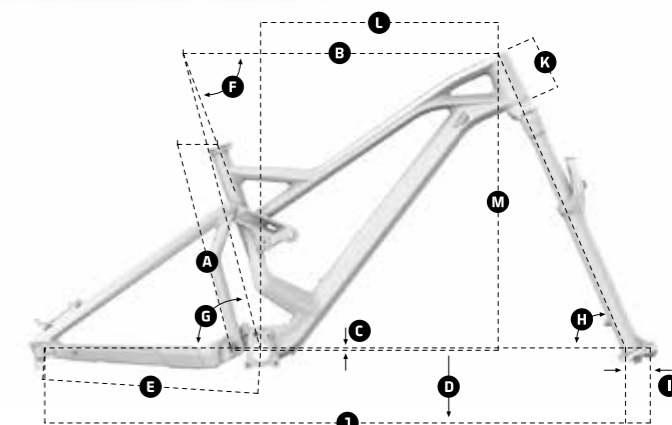
Colore White / Petrol / FOX Orange

Prezzo

€ 6.499



Frame	Dune Stealth Full Carbon Zero Suspension System FG 170mm
Sizes	S / M / L / XL
Rear shock	RockShox Superdeluxe Coil Ultimate RCT 205X65 Trunion
Fork	RockShox Lyrik Ultimate Charger 2 RC2 27,5 Boost 170mm
Headset	Onoff Titan tapered internal
Stem	Onoff Sulfur FG30 0°
Handlebar	Onoff Sulfur 1.0 780mm
Grips	Onoff Desert lock-on S/M, L/XL
Seatpost	Onoff Dropper Pija internal 1x lever
Saddle	SDG Fly MTN
Front brake	Sram G2 RSC 200mm
Rear brake	Sram G2 RSC 180mm
Levers	Sram G2 RSC
Rims	DT Swiss E1900 30mm 27'5 wheelset
Spokes	DT Competition Straight pull
Front hub	DT 370 Boost 15x110mm
Rear hub	DT 370 Boost 12x148mm
Tires	Maxxis Minion DHF 27'5x2.5WT 3C EXO TR MaxxTerra / Minion DHR II 27'5x2.4WT EXO/TR
Crankset	Truvativ Descendant 6K Eagle DUB Boost 34t
Bottom bracket	Sram DUB BSA
Pedals	/
Chain	Sram NX Eagle
Front derailleur	/
Rear derailleur	Sram GX Eagle
Shifters	Sram GX Eagle 12s
Cassette	Sram Eagle XG1275 10-50t 12s
Weight w/o pedals	/



	S	M	L	XL
A Seat Tube Length	380 mm	420 mm	470 mm	510 mm
B Top Tube Length	610 mm	630 mm	655 mm	673 mm
C Bottom Bracket Drop	1 mm	1 mm	1 mm	1 mm
D Bottom Bracket Height	352 mm	352 mm	352 mm	352 mm
E Chainstay Length	430-440 mm	430-440 mm	430-440 mm	430-440 mm
F Seat Tube Angle, Actual	70°	70°	70°	70°
G Seat Tube Angle, Effective	75°	75°	75°	75°
H Head Tube Angle	66 (+/-1)	66 (+/-1)	66 (+/-1)	66 (+/-1)
I Fork Offset	37 mm	37 mm	37 mm	37 mm
J Wheelbase	1185 mm	1205 mm	1230 mm	1250 mm
K Head Tube Length	110 mm	110 mm	120 mm	130 mm
L Reach	445 mm	465 mm	485 mm	503 mm
M Stack	597 mm	597 mm	606 mm	615 mm

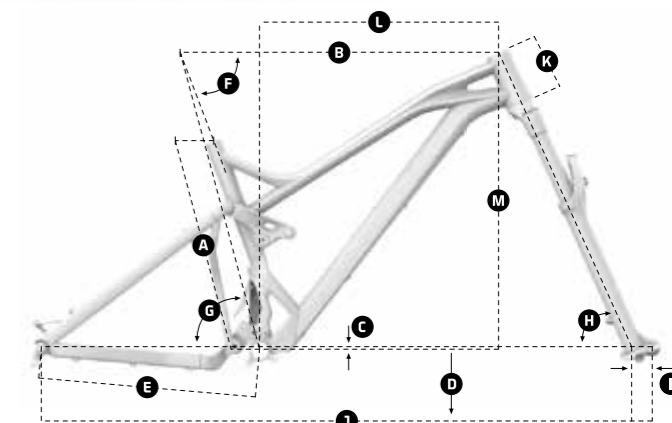
Colore Carbon / White / BoXXer Red

Prezzo

€ 6.499



Frame	Dune Stealth Zero Suspension System FG 170mm
Sizes	S / M / L / XL
Rear shock	Fox Float DPX2 LV EVOL 3Pos Lever Performance 205x65mm Trunnion
Fork	Fox 36 27'5 Float GRIP 3Pos Evol Performance Boost 170mm
Headset	Onoff Saturn tapered ACB
Stem	Onoff Sulfur FG30 0°
Handlebar	Onoff Sulfur 1.0 780mm
Grips	Onoff Twin lock-on
Seatpost	Onoff Dropper Pija internal 1x lever
Saddle	SDG Fly MTN
Front brake	Sram G2 RSC 200mm
Rear brake	Sram G2 RSC 180mm
Levers	Sram G2 RSC
Rims	DT Swiss E1900 30mm 27'5 wheelset
Spokes	DT Competition Straight pull
Front hub	DT 370 Boost 15x110mm
Rear hub	DT 370 Boost 12x148mm XD freehub
Tires	Maxxis Minion DHF 27'5x2.5wt EXO/TR / Minion DHR 27'5x2.4wt EXO/TR
Crankset	Truvativ Descendant 6K Eagle DUB Boost 34t
Bottom bracket	Sram DUB BSA
Pedals	/
Chain	Sram NX Eagle
Front derailleur	/
Rear derailleur	Sram GX Eagle
Shifters	Sram GX Eagle 12s
Cassette	Sram Eagle XG1275 10-50t 12s
Weight w/o pedals	/



	S	M	L	XL
A Seat Tube Length	380 mm	420 mm	470 mm	510 mm
B Top Tube Length	610 mm	636 mm	659 mm	680 mm
C Bottom Bracket Drop	-1 mm	-1 mm	-1 mm	-1 mm
D Bottom Bracket Height	350 mm	350 mm	350 mm	350 mm
E Chainstay Length	434 mm	434 mm	434 mm	434 mm
F Seat Tube Angle, Actual	68,5°	68,5°	68,5°	68,5°
G Seat Tube Angle, Effective	74,5°	74,5°	74,5°	74,5°
H Head Tube Angle	65,5°	65,5°	65,5°	65,5°
I Fork Offset	37 mm	37 mm	37 mm	37 mm
J Wheelbase	1190	1215 mm	1240 mm	1264 mm
K Head Tube Length	110 mm	110 mm	120 mm	120 mm
L Reach	445 mm	470 mm	490 mm	510 mm
M Stack	595 mm	595 mm	603 mm	612 mm

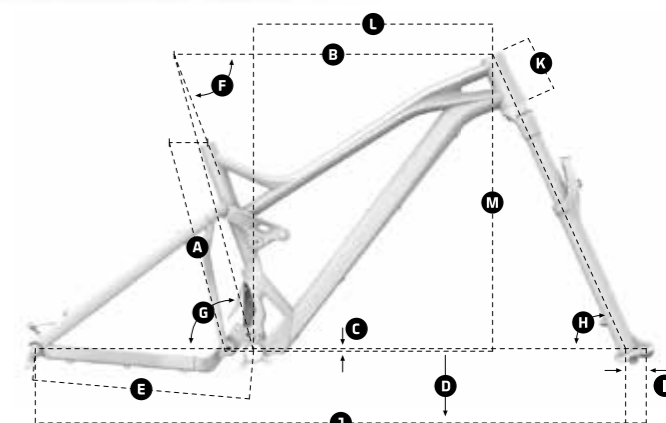
Colore Black / Light Blue / Flame Red

Prezzo

€ 4.499



Frame	Dune Stealth Zero Suspension System FG 170mm
Sizes	S / M / L / XL
Rear shock	Fox Float DPX2 LV EVOL 3Pos Lever Performance 205x65mm Trunnion
Fork	RockShox Yari RC Debonair Boost 170mm
Headset	Onoff Saturn tapered ACB
Stem	Onoff Sulfur FG30 0°
Handlebar	Onoff Sulfur 1.0 780mm
Grips	Onoff Twin lock-on
Seatpost	Onoff Dropper Pija internal 1x lever
Saddle	SDG Fly MTN
Front brake	Shimano MT501 203mm
Rear brake	Shimano MT501 180mm
Levers	Shimano MT501
Rims	MDK EP1 27'5 TL30Asy
Spokes	CN stainless
Front hub	MDK Pro II 15x110mm
Rear hub	MDK Pro II 12x148mm
Tires	Maxxis Minion DHF 27'5x2.5WT EXO/TR / Minion DHR 27'5x2.4WT EXO/TR
Crankset	Sram SX Eagle Boost DM 32T
Bottom bracket	Sram DUB BSA
Pedals	/
Chain	Sram SX Eagle
Front derailleur	/
Rear derailleur	Sram SX Eagle
Shifters	Sram SX Eagle 12s
Cassette	Sram Eagle PG1210 11-50t 12s
Weight w/o pedals	/



	S	M	L	XL
A Seat Tube Length	380 mm	420 mm	470 mm	510 mm
B Top Tube Length	610 mm	636 mm	659 mm	680 mm
C Bottom Bracket Drop	-1 mm	-1 mm	-1 mm	-1 mm
D Bottom Bracket Height	350 mm	350 mm	350 mm	350 mm
E Chainstay Length	434 mm	434 mm	434 mm	434 mm
F Seat Tube Angle, Actual	68,5°	68,5°	68,5°	68,5°
G Seat Tube Angle, Effective	74,5°	74,5°	74,5°	74,5°
H Head Tube Angle	65,5°	65,5°	65,5°	65,5°
I Fork Offset	37 mm	37 mm	37 mm	37 mm
J Wheelbase	1190 mm	1215 mm	1240 mm	1264 mm
K Head Tube Length	110 mm	110 mm	120 mm	120 mm
L Reach	445 mm	470 mm	490 mm	510 mm
M Stack	595 mm	595 mm	603 mm	612 mm

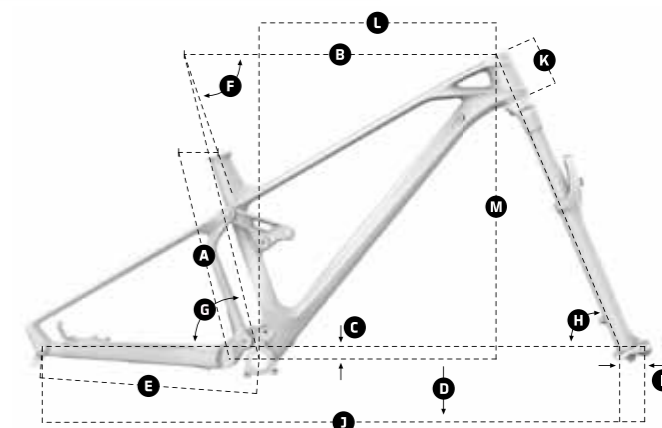
Colore Nimbus Grey / Flame Red

Prezzo

€ 3.499



Frame	Foxy Stealth Air Full Carbon Zero Suspension System FG 150mm
Sizes	S / M / L / XL
Rear shock	Fox Float DPX2 3Pos Factory Kashima 205x62.5mm Trunnion
Fork	Fox 36 Float 29 FIT4 3Pos Factory Kashima Boost 160mm
Headset	Onoff Titan Internal tapered 1-1/8"->1-1/2"
Stem	Onoff Krypton FG30, 35mm Barbore
Handlebar	Onoff Krypton Carbon 0.5 780mm 35mm barbore
Grips	Onoff Desert lock-on S/M, L/XL
Seatpost	RockShox Reverb AXS
Saddle	SDG Fly MTN TI
Front brake	Sram G2 RSC 200mm
Rear brake	Sram G2 RSC 180mm
Levers	Sram G2 RSC
Rims	DT Swiss EX1501 Spline One 30mm 29 wheelset
Spokes	DT Competition Straight pull
Front hub	DT Spline One 240s Boost 15x110mm
Rear hub	DT Spline One 240s Boost 12X148mm XD freehub
Tires	Maxxis Minion DHR II 29x2.4WT 3C/EXO/TR MaxxTerra / Maxxis Aggressor 29X2.30
Crankset	EXO/TR
Bottom bracket	Sram X01 Carbon Eagle DUB Boost DM32t
Pedals	Sram DUB BSA 73mm
Chain	/
Front derailleur	Sram X01 Eagle
Rear derailleur	Sram X01 Eagle AXS
Shifters	Sram X01 Eagle AXS right 12s
Cassette	Sram XG-1295 10-50t Polar 12s
Weight w/o pedals	/



	S	M	L	XL
A Seat Tube Length	380 mm	420 mm	470 mm	510 mm
B Top Tube Length	606 mm	629 mm	654 mm	678 mm
C Bottom Bracket Drop	-21 mm	-21 mm	-21 mm	-21 mm
D Bottom Bracket Height	352 mm	352 mm	352 mm	352 mm
E Chainstay Length	435 mm	435 mm	435 mm	435 mm
F Seat Tube Angle, Actual	70,5°	70,5°	70,5°	70,5°
G Seat Tube Angle, Effective	75,5°	75,5°	75,5°	75,5°
H Head Tube Angle	66°	66°	66°	66°
I Fork Offset	44 mm	44 mm	44 mm	44 mm
J Wheelbase	1187 mm	1210 mm	1236 mm	1262 mm
K Head Tube Length	90 mm	100 mm	115 mm	130 mm
L Reach	450 mm	470 mm	490 mm	510 mm
M Stack	605 mm	614 mm	628 mm	642 mm

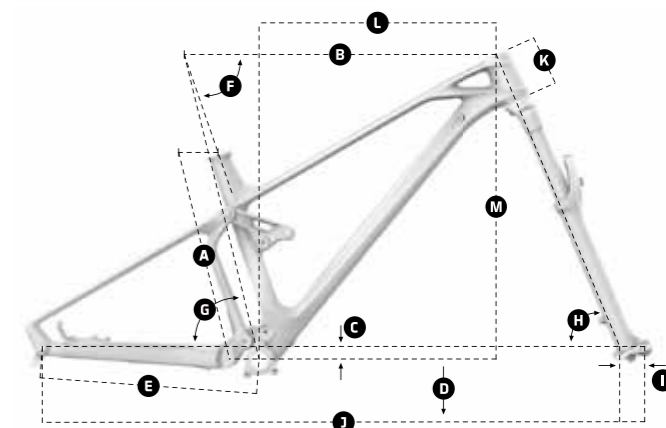
Colore Carbon / FOX Orange / Light Green

Prezzo

€ 9.499



Frame	Foxy Stealth Air Full Carbon Zero Suspension System FG 150mm
Sizes	S / M / L / XL
Rear shock	Fox Float DPX2 3Pos Factory Kashima 205x62.5mm Trunion
Fork	Fox 36 Float 29 FIT4 3Pos Factory Kashima Boost 160mm
Headset	Onoff Titan Internal tapered 1-1/8"->1-1/2"
Stem	Onoff Krypton FG30, 35mm Barbore
Handlebar	Onoff Krypton Carbon 0.5 780mm 35mm barbore
Grips	Onoff Desert lock-on S/M, L/XL
Seatpost	Onoff Dropper Pija internal 1x lever
Saddle	SDG Fly MTN CR-MO
Front brake	Shimano XT M8120 203mm
Rear brake	Shimano XT M8120 180mm
Levers	Shimano XT
Rims	DT Swiss E1700 Spline 30mm 29 wheelset
Spokes	DT Competition Straight pull
Front hub	DT 350 Boost 15x110mm
Rear hub	DT 350 Boost 12x148mm XD freehub
Tires	Maxxis Minion DHR II 29x2.4WT 3C/EXO/TR MaxxTerra / Maxxis Aggressor 29X2.30 EXO/TR
Crankset	Shimano XT MT8100 32t 12s.
Bottom bracket	Shimano XT MT8000 BSA
Pedals	/
Chain	Shimano XT CN-M8100 12s
Front derailleur	/
Rear derailleur	Shimano XT RD-M8100 SGS 12s
Shifters	Shimano XT SL-8100 12s
Cassette	Shimano XT CS-M8100 10-51T 12s
Weight w/o pedals	/



	S	M	L	XL
A Seat Tube Length	380 mm	420 mm	470 mm	510 mm
B Top Tube Length	606 mm	629 mm	654 mm	678 mm
C Bottom Bracket Drop	-21 mm	-21 mm	-21 mm	-21 mm
D Bottom Bracket Height	352 mm	352 mm	352 mm	352 mm
E Chainstay Length	435 mm	435 mm	435 mm	435 mm
F Seat Tube Angle, Actual	70,5°	70,5°	70,5°	70,5°
G Seat Tube Angle, Effective	75,5°	75,5°	75,5°	75,5°
H Head Tube Angle	66°	66°	66°	66°
I Fork Offset	44 mm	44 mm	44 mm	44 mm
J Wheelbase	1187 mm	1210 mm	1236 mm	1262 mm
K Head Tube Length	90 mm	100 mm	115 mm	130 mm
L Reach	450 mm	470 mm	490 mm	510 mm
M Stack	605 mm	614 mm	628 mm	642 mm

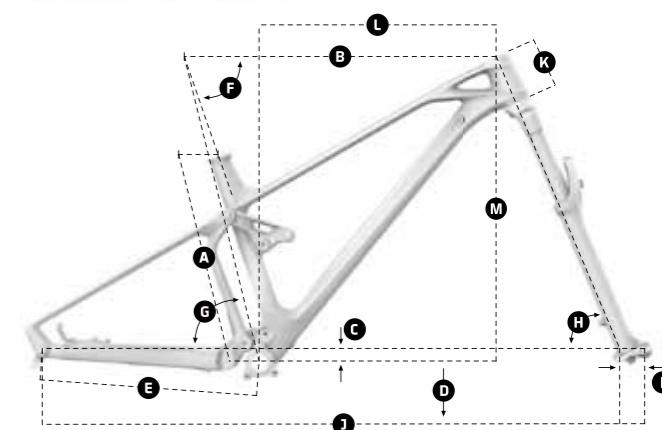
Colore Black Phantom / Yellow

Prezzo

€ 6.599



Frame	Foxy Stealth Air Full Carbon Zero Suspension System FG 150mm
Sizes	S / M / L / XL
Rear shock	Fox Float DPX2 3Pos Performance 205x62.5mm Trunnion
Fork	Fox 36 Float 29 GRIP 3Pos Performance Boost 160mm
Headset	Onoff Titan Internal tapered 1-1/8"->1-1/2"
Stem	Onoff Sulfur FG30 0°
Handlebar	Onoff Sulfur 1.0 780mm
Grips	Onoff Twin lock-on
Seatpost	Onoff Dropper Pija internal 1x lever
Saddle	SDG Fly MTN
Front brake	Shimano MT520 203mm
Rear brake	Shimano MT520 180mm
Levers	Shimano MT520
Rims	DT Swiss E1900 Spline 30mm 29 wheelset
Spokes	DT Competition Straight pull
Front hub	DT 370 Boost 15x110mm
Rear hub	DT 370 Boost 12x148mm
Tires	Maxxis Minion DHR II 29x2.4WT 3C/EXO/TR MaxxTerra / Maxxis Aggressor 29X2.30 EXO/TR
Crankset	Sram NX Eagle DUB Boost DM32t
Bottom bracket	Sram DUB BSA 73mm
Pedals	/
Chain	Sram NX Eagle
Front derailleur	/
Rear derailleur	Sram NX Eagle X-Horizon Type3 1x12s
Shifters	Sram NX Eagle Trigger right 12s
Cassette	Sram XG1230 11-50t Eagle
Weight w/o pedals	/



	S	M	L	XL
A Seat Tube Length	380 mm	420 mm	470 mm	510 mm
B Top Tube Length	606 mm	629 mm	654 mm	678 mm
C Bottom Bracket Drop	-21 mm	-21 mm	-21 mm	-21 mm
D Bottom Bracket Height	352 mm	352 mm	352 mm	352 mm
E Chainstay Length	435 mm	435 mm	435 mm	435 mm
F Seat Tube Angle, Actual	70,5°	70,5°	70,5°	70,5°
G Seat Tube Angle, Effective	75,5°	75,5°	75,5°	75,5°
H Head Tube Angle	66°	66°	66°	66°
I Fork Offset	44 mm	44 mm	44 mm	44 mm
J Wheelbase	1187 mm	1210 mm	1236 mm	1262 mm
K Head Tube Length	90 mm	100 mm	115 mm	130 mm
L Reach	450 mm	470 mm	490 mm	510 mm
M Stack	605 mm	614 mm	628 mm	642 mm

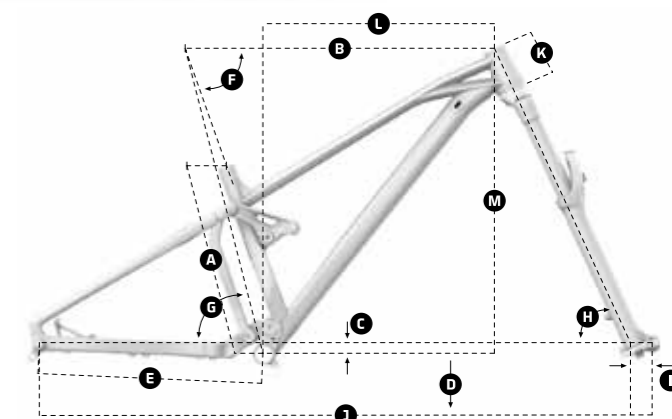
Colore Flame Red / Carbon

Prezzo

€
4.999



Frame	Foxy Stealth Alloy Zero Suspension System FG 150mm
Sizes	S / M / L / XL
Rear shock	Fox Float DPX2 3Pos Performance 205x62.5mm Trunnion
Fork	Fox 36 Float 29 GRIP 3Pos Performance Boost 160mm
Headset	Onoff Saturn tapered ACB
Stem	Onoff Sulfur FG30 0°
Handlebar	Onoff Sulfur 1.0 780mm
Grips	Onoff Twin lock-on
Seatpost	Onoff Dropper Pija internal 1x lever
Saddle	Mondraker Foxy custom design
Front brake	Sram G2 RSC 200mm
Rear brake	Sram G2 RSC 180mm
Levers	Sram G2 RSC
Rims	DT Swiss E1900 Spline 30mm 29 wheelset
Spokes	DT Competition Straight pull
Front hub	DT 370 Boost 15x110mm
Rear hub	DT 370 Boost 12x148mm
Tires	Maxxis Minion DHF 29x2.5WT 3C/EXO/TR MaxxTerra / Maxxis Aggressor 29X2.30 EXO/TR
Crankset	Truvativ Descendant 6K Eagle DUB Boost 32t
Bottom bracket	Sram DUB BSA 73mm
Pedals	/
Chain	Sram NX Eagle
Front derailleur	/
Rear derailleur	Sram GX Eagle X-Horizon Type3 1x12s
Shifters	Sram GX Eagle Trigger right 12s
Cassette	Sram Eagle XG1275 10-50t 12s
Weight w/o pedals	/



	S	M	L	XL
A Seat Tube Length	380 mm	420 mm	470 mm	510 mm
B Top Tube Length	606 mm	629 mm	654 mm	678 mm
C Bottom Bracket Drop	-21 mm	-21 mm	-21 mm	-21 mm
D Bottom Bracket Height	355 mm	355 mm	355 mm	355 mm
E Chainstay Length	435 mm	435 mm	435 mm	435 mm
F Seat Tube Angle, Actual	71°	71°	71°	71°
G Seat Tube Angle, Effective	76°	76°	76°	76°
H Head Tube Angle	66°	66°	66°	66°
I Fork Offset	44 mm	44 mm	44 mm	44 mm
J Wheelbase	1193 mm	1222 mm	1248 mm	1274 mm
K Head Tube Length	90 mm	100 mm	115 mm	130 mm
L Reach	450 mm	475 mm	495 mm	515 mm
M Stack	606 mm	615 mm	630 mm	643 mm

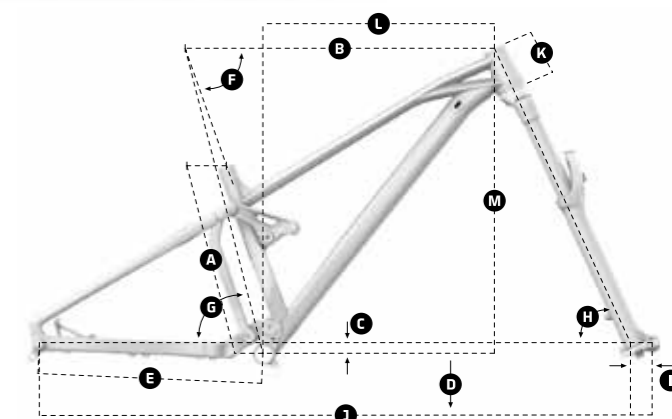
Colore Petrol / White / FOX Orange

Prezzo

€ 3.199



Frame	Foxy Stealth Alloy Zero Suspension System FG 150mm
Sizes	S / M / L / XL
Rear shock	Fox Float DPX2 3Pos Performance 205x62.5mm Trunnion
Fork	Fox 36 Rhythm Grip Boost 160mm
Headset	Onoff Saturn tapered ACB
Stem	Onoff Sulfur FG30 0°
Handlebar	Onoff Sulfur 1.0 780mm
Grips	Onoff Twin lock-on
Seatpost	Onoff Dropper Pija internal 1x lever
Saddle	Mondraker Foxy custom design
Front brake	Shimano MT501 203mm
Rear brake	Shimano MT501 180mm
Levers	Shimano MT501
Rims	MDK EP1 29 TL30Asy
Spokes	CN stainless
Front hub	MDK Pro II 15x110mm
Rear hub	MDK Pro II 12x148mm
Tires	Maxxis Minion DHR II 29x2.4WT 3C/EXO/TR MaxxTerra / Maxxis Aggressor 29X2.30 EXO/TR
Crankset	Sram SX Eagle Boost DM 32T
Bottom bracket	Sram DUB BSA
Pedals	/
Chain	Sram SX Eagle
Front derailleur	/
Rear derailleur	Sram SX Eagle
Shifters	Sram SX Eagle 12s
Cassette	Sram Eagle PG1210 11-50t 12s
Weight w/o pedals	/



	S	M	L	XL
A Seat Tube Length	380 mm	420 mm	470 mm	510 mm
B Top Tube Length	606 mm	629 mm	654 mm	678 mm
C Bottom Bracket Drop	-21 mm	-21 mm	-21 mm	-21 mm
D Bottom Bracket Height	355 mm	355 mm	355 mm	355 mm
E Chainstay Length	435 mm	435 mm	435 mm	435 mm
F Seat Tube Angle, Actual	71°	71°	71°	71°
G Seat Tube Angle, Effective	76°	76°	76°	76°
H Head Tube Angle	66°	66°	66°	66°
I Fork Offset	44 mm	44 mm	44 mm	44 mm
J Wheelbase	1193 mm	1222 mm	1248 mm	1274 mm
K Head Tube Length	90 mm	100 mm	115 mm	130 mm
L Reach	450 mm	475 mm	495 mm	515 mm
M Stack	606 mm	615 mm	630 mm	643 mm

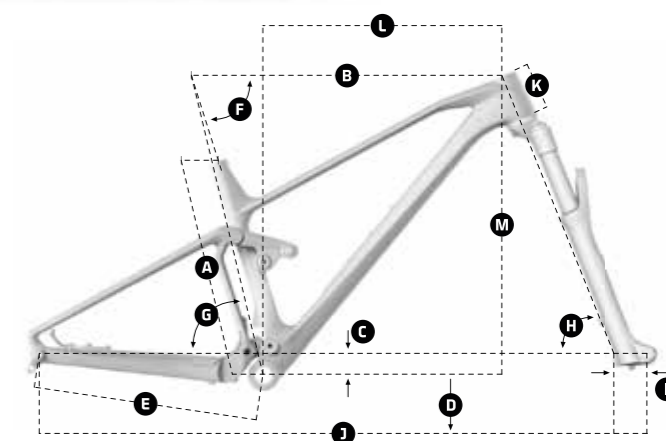
Colore Black / Yellow

Prezzo

€ 9,490



Frame	F-Podium Stealth Air Full Carbon 100mm
Sizes	S / M / L / XL
Rear shock	Fox Float DPS 2Pos Remote Factory Kashima 185x47,5mm
Fork	Fox 34 Step Cast Float 29 Remote FIT4 Evol Factory Kashima Boost 120mm
Headset	Onoff Saturn tapered ACB
Stem	Mondraker XC -5°
Handlebar	Onoff Helium Carbon 0.2 760mm
Grips	Onoff Desert lock-on S/M, L/XL
Seatpost	Onoff Dropper Pija internal Universal lever
Saddle	Fizik Antares R7
Front brake	Shimano XTR M9100 180mm
Rear brake	Shimano XTR M9100 160mm
Levers	Shimano XTR M9100
Rims	DT Swiss XR1501 Spline One 25mm 29 wheelset
Spokes	DT Competition Straight pull
Front hub	DT Spline One 240s Boost 15x110mm
Rear hub	DT Spline One 240s Boost 12X148mm Microspline freehub
Tires	Maxxis Rekon Race Exo TR 29x2.35 / Maxxis Rekon Race Exo TR 29x2.25
Crankset	Shimano XTR M9100 34T
Bottom bracket	Shimano XTR BB93 BSA
Pedals	/
Chain	Shimano XT CN-M8100 12s
Front derailleur	/
Rear derailleur	Shimano XTR RD-M9100 SGS 12s
Shifters	Shimano XTR SL-9100 12s
Cassette	Shimano XTR CS-M9100 10-51T 12s
Weight w/o pedals	/



	S	M	L	XL
A Seat Tube Length	390 mm	420 mm	470 mm	510 mm
B Top Tube Length	583 mm	603 mm	629 mm	654 mm
C Bottom Bracket Drop	-31 mm	-31 mm	-31 mm	-31 mm
D Bottom Bracket Height	337 mm	337 mm	337 mm	337 mm
E Chainstay Length	432 mm	432 mm	432 mm	432 mm
F Seat Tube Angle, Actual	70,8°	70,8°	70,8°	70,8°
G Seat Tube Angle, Effective	75,1°	75,1°	75,1°	75,1°
H Head Tube Angle	66,8°	66,8°	66,8°	66,8°
I Fork Offset	44 mm	44 mm	44 mm	44 mm
J Wheelbase	1146 mm	1167 mm	1191 mm	1217 mm
K Head Tube Length	85 mm	90 mm	100 mm	115 mm
L Reach	430 mm	450 mm	470 mm	490 mm
M Stack	577 mm	582 mm	591 mm	605 mm

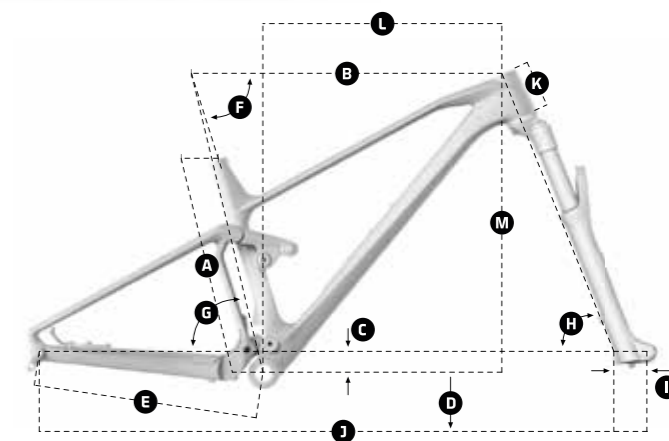
Colore FOX Orange / Carbon / Light Green

Prezzo

€ 7.799



Frame	F-Podium Stealth Air Full Carbon 100mm
Sizes	S / M / L / XL
Rear shock	Fox Float DPS 2Pos Remote Performance Elite 185x47,5mm
Fork	Fox 34 Step Cast Float 29 Remote Grip Performance Boost 120mm
Headset	Onoff Saturn tapered ACB
Stem	Mondraker XC -5°
Handlebar	Onoff Sulfur 0.2 760mm
Grips	Onoff Desert lock-on S/M, L/XL
Seatpost	Onoff Dropper Pija internal Universal lever
Saddle	Fizik Antares R7
Front brake	Shimano MT501 180mm
Rear brake	Shimano MT501 160mm
Levers	Shimano MT501
Rims	Mavic Crossmax Tubeless Boost wheelset
Spokes	Mavic
Front hub	Mavic Boost 15x110mm
Rear hub	Mavic Boost 12x148mm
Tires	Maxxis Rekon Race Exo TR 29x2.35 / Maxxis Rekon Race Exo TR 29x2.25
Crankset	Truvativ Stylo 7K Eagle DUB Boost DM34t
Bottom bracket	Sram DUB BSA 73mm
Pedals	/
Chain	Sram NX Eagle
Front derailleur	/
Rear derailleur	Sram GX Eagle X-Horizon Type3 1x12s
Shifters	Sram NX Eagle Trigger right 12s
Cassette	Sram XG1275 10-50t Eagle 12s
Weight w/o pedals	/



	S	M	L	XL
A Seat Tube Length	390 mm	420 mm	470 mm	510 mm
B Top Tube Length	583 mm	603 mm	629 mm	654 mm
C Bottom Bracket Drop	-31 mm	-31 mm	-31 mm	-31 mm
D Bottom Bracket Height	337 mm	337 mm	337 mm	337 mm
E Chainstay Length	432 mm	432 mm	432 mm	432 mm
F Seat Tube Angle, Actual	70,8°	70,8°	70,8°	70,8°
G Seat Tube Angle, Effective	75,1°	75,1°	75,1°	75,1°
H Head Tube Angle	66,8°	66,8°	66,8°	66,8°
I Fork Offset	44 mm	44 mm	44 mm	44 mm
J Wheelbase	1146 mm	1167 mm	1191 mm	1217 mm
K Head Tube Length	85 mm	90 mm	100 mm	115 mm
L Reach	430 mm	450 mm	470 mm	490 mm
M Stack	577 mm	582 mm	591 mm	605 mm

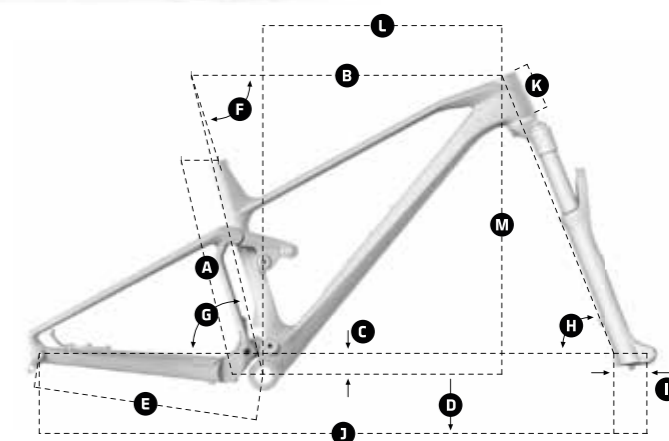
Colore White / Carbon / Flame Red

Prezzo

€
5.499



Frame	F-Podium Stealth Air Full Carbon 100mm
Sizes	S / M / L / XL
Rear shock	Fox Float DPS 2Pos Remote Factory Kashima 185x47,5mm
Fork	Fox 32 Step Cast Float 29 Remote FIT4 Evol Factory Kashima Boost 100mm
Headset	Onoff Saturn tapered ACB
Stem	Onoff Helium +/-6°
Handlebar	BikeAhead the Flatbar Carbon 8,5° 720mm
Grips	Lizard Skins DPS 30.3mm
Seatpost	BikeAhead the Seatpost Carbon 31.6 400mm
Saddle	Fizik Antares 00 carbon
Front brake	Sram Level Ultimate 160mm
Rear brake	Sram Level Ultimate 160mm
Levers	Sram Level Ultimate
Rims	BikeAhead AC29 Biturbo RS
Spokes	BikeAhead
Front hub	BikeAhead Boost 15x110mm
Rear hub	BikeAhead Boost 12x148mm
Tires	Maxxis Rekon Race Exo TR 29x2.25
Crankset	Sram XX1 Carbon Eagle DUB Boost DM34t
Bottom bracket	Sram DUB BSA 73mm
Pedals	/
Chain	Sram XX1 Eagle Rainbow
Front derailleur	/
Rear derailleur	Sram XX1 Eagle AXS
Shifters	Sram XX1 Eagle AXS right 12s
Cassette	Sram XG-1299 10-50t Rainbow 12s
Weight w/o pedals	/



	S	M	L	XL
A Seat Tube Length	390 mm	420 mm	470 mm	510 mm
B Top Tube Length	580 mm	600mm	625 mm	650 mm
C Bottom Bracket Drop	-40 mm	-40 mm	-40 mm	-40 mm
D Bottom Bracket Height	325 mm	325 mm	325 mm	325 mm
E Chainstay Length	432 mm	432 mm	432 mm	432 mm
F Seat Tube Angle, Actual	72°	72°	72°	72°
G Seat Tube Angle, Effective	76,5°	76,5°	76,5°	76,5°
H Head Tube Angle	68°	68°	68°	68°
I Fork Offset	44 mm	44 mm	44 mm	44 mm
J Wheelbase	1132 mm	1153 mm	1177 mm	1203 mm
K Head Tube Length	85 mm	90 mm	100 mm	115 mm
L Reach	440 mm	460 mm	480 mm	500 mm
M Stack	570 mm	575 mm	584 mm	598 mm

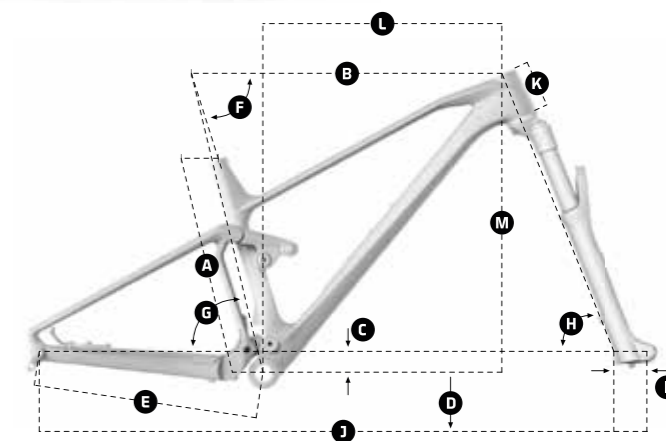
Colore Carbon / Gold

Prezzo

€ 13.999



Frame	F-Podium Stealth Air Full Carbon 100mm
Sizes	S / M / L / XL
Rear shock	Fox Float DPS 2Pos Remote Factory Kashima 185x47,5mm
Fork	Fox 32 Step Cast Float 29 Remote FIT4 Evol Factory Kashima Boost 100mm
Headset	Onoff Saturn tapered ACB
Stem	Mondraker XC -5°
Handlebar	Onoff Helium Carbon 0.2 760mm
Grips	Onoff Desert lock-on S/M, L/XL
Seatpost	Onoff Helium Carbon 0-R 31.6x400mm
Saddle	Fizik Antares R5 Kium
Front brake	Shimano XTR M9100 160mm
Rear brake	Shimano XTR M9100 160mm
Levers	Shimano XTR M9100
Rims	DT Swiss XRC1200 Spline One 25mm 29 wheelset
Spokes	DT Competition Straight pull
Front hub	DT Spline 180 Boost 15x110mm
Rear hub	DT Spline 180 Boost 12x148mm Microspline freehub
Tires	Maxxis Rekon Race Exo TR 29x2.25
Crankset	Rotor Inpower Boost DM34t
Bottom bracket	Rotor BSA30 Steel 73mm
Pedals	/
Chain	Shimano XTR CN-M9100 12s
Front derailleur	/
Rear derailleur	Shimano XTR RD-M9100 SGS 12s
Shifters	Shimano XTR SL-9100 12s
Cassette	Shimano XTR CS-M9100 10-51T 12s
Weight w/o pedals	/



	S	M	L	XL
A Seat Tube Length	390 mm	420 mm	470 mm	510 mm
B Top Tube Length	580 mm	600mm	625 mm	650 mm
C Bottom Bracket Drop	-40 mm	-40 mm	-40 mm	-40 mm
D Bottom Bracket Height	325 mm	325 mm	325 mm	325 mm
E Chainstay Length	432 mm	432 mm	432 mm	432 mm
F Seat Tube Angle, Actual	72°	72°	72°	72°
G Seat Tube Angle, Effective	76,5°	76,5°	76,5°	76,5°
H Head Tube Angle	68°	68°	68°	68°
I Fork Offset	44 mm	44 mm	44 mm	44 mm
J Wheelbase	1132 mm	1153 mm	1177 mm	1203 mm
K Head Tube Length	85 mm	90 mm	100 mm	115 mm
L Reach	440 mm	460 mm	480 mm	500 mm
M Stack	570 mm	575 mm	584 mm	598 mm

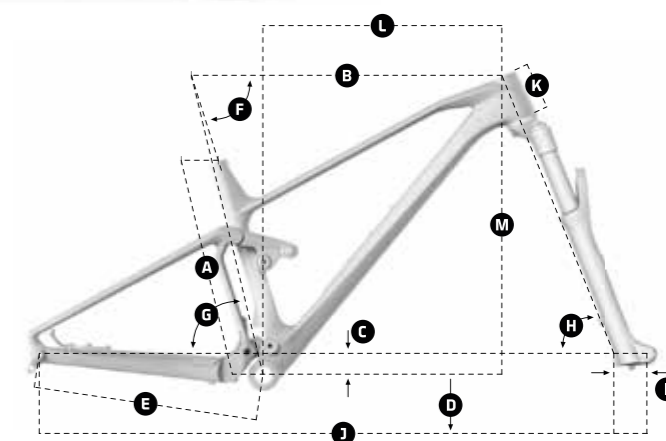
Colore Carbon / Light Blue / Flame Red

Prezzo

€ 8.999



Frame	F-Podium Stealth Air Full Carbon 100mm
Sizes	S / M / L / XL
Rear shock	Fox Float DPS 2Pos Remote Factory Kashima 185x47,5mm
Fork	Fox 32 Step Cast Float 29 Remote FIT4 Evol Factory Kashima Boost 100mm
Headset	Onoff Saturn tapered ACB
Stem	Mondraker XC -5°
Handlebar	Onoff Helium Carbon 0.2 760mm
Grips	Onoff Desert lock-on S/M, L/XL
Seatpost	Onoff Helium Carbon 0-R 31.6x400mm
Saddle	Fizik Antares R7
Front brake	Sram Level TLM 160mm
Rear brake	Sram Level TLM 160mm
Levers	Sram Level TLM
Rims	DT Swiss XR1501 Spline One 25mm 29 wheelset
Spokes	DT Competition Straight pull
Front hub	DT Spline One 240s Boost 15x110mm
Rear hub	DT Spline One 240s Boost 12X148mm XD freehub
Tires	Maxxis Rekon Race Exo TR 29x2.25
Crankset	Sram X1 Carbon Eagle 12s 34t
Bottom bracket	Sram DUB BSA
Pedals	/
Chain	Sram GX Eagle 12s
Front derailleur	/
Rear derailleur	SRAM X01 Eagle X-Horizon Type3 1x12s
Shifters	SRAM GX Trigger right 12s
Cassette	Sram Eagle XG1275 10-50t 12s
Weight w/o pedals	/



	S	M	L	XL
A Seat Tube Length	390 mm	420 mm	470 mm	510 mm
B Top Tube Length	580 mm	600mm	625 mm	650 mm
C Bottom Bracket Drop	-40 mm	-40 mm	-40 mm	-40 mm
D Bottom Bracket Height	325 mm	325 mm	325 mm	325 mm
E Chainstay Length	432 mm	432 mm	432 mm	432 mm
F Seat Tube Angle, Actual	72°	72°	72°	72°
G Seat Tube Angle, Effective	76,5°	76,5°	76,5°	76,5°
H Head Tube Angle	68°	68°	68°	68°
I Fork Offset	44 mm	44 mm	44 mm	44 mm
J Wheelbase	1132 mm	1153 mm	1177 mm	1203 mm
K Head Tube Length	85 mm	90 mm	100 mm	115 mm
L Reach	440 mm	460 mm	480 mm	500 mm
M Stack	570 mm	575 mm	584 mm	598 mm

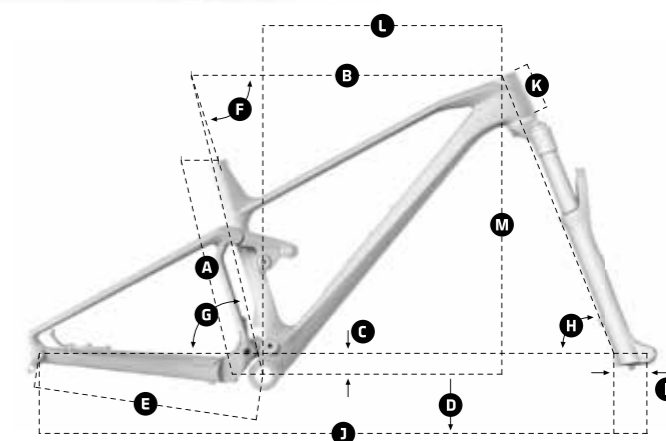
Colore Carbon / Light Green / FOX Orange

Prezzo

€
6.799



Frame	F-Podium Stealth Air Full Carbon 100mm
Sizes	S / M / L / XL
Rear shock	Fox Float DPS 2Pos Remote Performance Elite 185x47,5mm
Fork	Fox 32 Step Cast Float 29 Remote Grip Performance Boost 100mm
Headset	Onoff Saturn tapered ACB
Stem	Mondraker XC -5°
Handlebar	Onoff Sulfur 0.2 760mm
Grips	Onoff Twin lock-on
Seatpost	Onoff Sulfur 0-R 31.6x400mm
Saddle	Mondraker XC Series
Front brake	Shimano MT501 160mm
Rear brake	Shimano MT501 160mm
Levers	Shimano MT501
Rims	Mavic Crossmax Tubeless Boost wheelset
Spokes	Mavic
Front hub	Mavic Boost 15x110mm
Rear hub	Mavic Boost 12x148mm
Tires	Maxxis Rekon Race Exo TR 29x2.25
Crankset	Truvativ Stylo 7K Eagle DUB Boost DM34t
Bottom bracket	Sram DUB BSA 73mm
Pedals	/
Chain	Sram NX Eagle
Front derailleur	/
Rear derailleur	Sram GX Eagle X-Horizon Type3 1x12s
Shifters	Sram NX Eagle Trigger right 12s
Cassette	Sram XG1275 10-50t Eagle 12s
Weight w/o pedals	/



	S	M	L	XL
A Seat Tube Length	390 mm	420 mm	470 mm	510 mm
B Top Tube Length	580 mm	600mm	625 mm	650 mm
C Bottom Bracket Drop	-40 mm	-40 mm	-40 mm	-40 mm
D Bottom Bracket Height	325 mm	325 mm	325 mm	325 mm
E Chainstay Length	432 mm	432 mm	432 mm	432 mm
F Seat Tube Angle, Actual	72°	72°	72°	72°
G Seat Tube Angle, Effective	76,5°	76,5°	76,5°	76,5°
H Head Tube Angle	68°	68°	68°	68°
I Fork Offset	44 mm	44 mm	44 mm	44 mm
J Wheelbase	1132 mm	1153 mm	1177 mm	1203 mm
K Head Tube Length	85 mm	90 mm	100 mm	115 mm
L Reach	440 mm	460 mm	480 mm	500 mm
M Stack	570 mm	575 mm	584 mm	598 mm

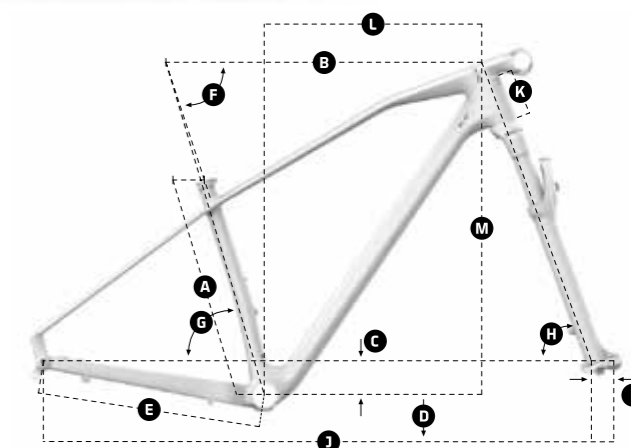
Colore Carbon / White / Flame Red

Prezzo

€ 4.499



Frame	Podium Stealth Air Full Carbon
Sizes	S / M / L / XL
Rear shock	/
Fork	Fox 32 Step Cast Float 29 Remote FIT4 Evol Factory Kashima Boost 100mm
Headset	Onoff Titan tapered Internal
Stem	Podium carbon integrated
Handlebar	Onoff Helium Carbon 0.2 740mm
Grips	Onoff Twin lock-on
Seatpost	Onoff Helium Carbon 0-R 27.2x400mm
Saddle	Fizik Antares R7 K:IUM
Front brake	Sram Level TLM 160mm
Rear brake	Sram Level TLM 160mm
Levers	Sram Level TLM
Rims	Mavic Crossmax Elite Boost wheelset
Spokes	Mavic
Front hub	Mavic Boost 15x110mm
Rear hub	Mavic Boost 12x148mm
Tires	Maxxis Ikon TR 3C MAXX Speed 29x2.20
Crankset	Sram X1 Carbon Eagle DUB Boost DM34t
Bottom bracket	Sram DUB PF30 73mm
Pedals	/
Chain	Sram GX Eagle
Front derailleur	/
Rear derailleur	Sram X01 Eagle X-Horizon Type3 1x12s
Shifters	Sram GX Eagle Trigger right 12s
Cassette	Sram Eagle XG1275 10-50t 12s
Weight w/o pedals	/



	S	M	L	XL
A Seat Tube Length	395 mm	430 mm	470 mm	520 mm
B Top Tube Length	590 mm	610 mm	630 mm	650 mm
C Bottom Bracket Drop	-65 mm	-65 mm	-65 mm	-65 mm
D Bottom Bracket Height	300 mm	300 mm	300 mm	300 mm
E Chainstay Length	432 mm	432 mm	432 mm	432 mm
F Seat Tube Angle, Actual	72°	72°	72°	72°
G Seat Tube Angle, Effective	73,5°	73,5°	73,5°	73,5°
H Head Tube Angle	70°	70°	70°	70°
I Fork Offset	44 mm	44 mm	44 mm	44 mm
J Wheelbase	1086 mm	1106 mm	1127 mm	1147 mm
K Head Tube Length	85 mm	90 mm	100 mm	115 mm
L Reach	402 mm	420 mm	437 mm	452 mm
M Stack	637 mm	642 mm	651 mm	666 mm

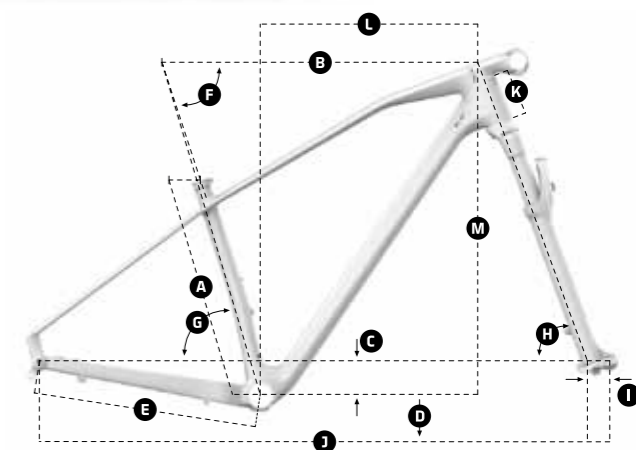
Colore Carbon / Light Blue / Flame Red

Prezzo

€
5.599



Frame	Podium Stealth Air Full Carbon
Sizes	S / M / L / XL
Rear shock	/
Fork	Fox 32 Step Cast Float 29 Remote Grip Evol Performance Boost 100mm
Headset	Onoff Titan tapered Internal
Stem	Podium carbon integrated
Handlebar	Onoff Sulfur 0.2 740mm
Grips	Onoff Twin lock-on
Seatpost	Onoff Sulfur 0-R 27.2x400mm
Saddle	Fizik Antares R7
Front brake	Shimano MT501 160mm
Rear brake	Shimano MT501 160mm
Levers	Shimano MT501
Rims	DT Swiss X1700 Spline 25mm 29 wheelset
Spokes	DT Competition Straight pull
Front hub	DT Spline 350 Boost 15x110mm
Rear hub	DT Spline 350 Boost 12x148mm XD freehub
Tires	Maxxis Ikon 3C MAXX Speed TR 29x2.20
Crankset	Truvativ Stylo 7K Eagle DUB Boost DM34t
Bottom bracket	Sram DUB PF30 73mm
Pedals	/
Chain	Sram GX Eagle
Front derailleur	/
Rear derailleur	Sram GX Eagle X-Horizon Type3 1x12s
Shifters	Sram GX Eagle Trigger right 12s
Cassette	Sram Eagle XG1275 10-50t 12s
Weight w/o pedals	/

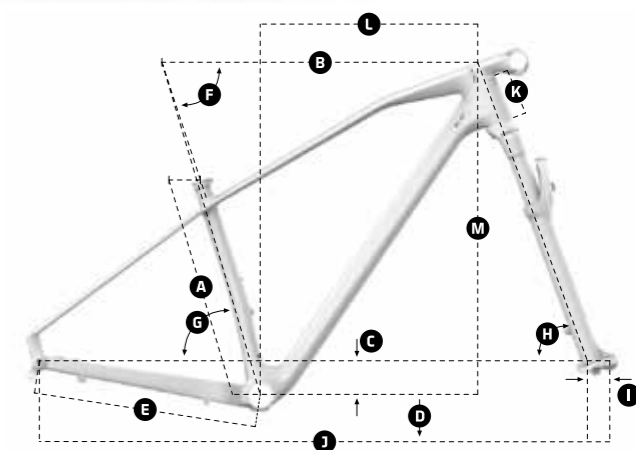


	S	M	L	XL
A Seat Tube Length	395 mm	430 mm	470 mm	520 mm
B Top Tube Length	590 mm	610 mm	630 mm	650 mm
C Bottom Bracket Drop	-65 mm	-65 mm	-65 mm	-65 mm
D Bottom Bracket Height	300 mm	300 mm	300 mm	300 mm
E Chainstay Length	432 mm	432 mm	432 mm	432 mm
F Seat Tube Angle, Actual	72°	72°	72°	72°
G Seat Tube Angle, Effective	73,5°	73,5°	73,5°	73,5°
H Head Tube Angle	70°	70°	70°	70°
I Fork Offset	44 mm	44 mm	44 mm	44 mm
J Wheelbase	1086 mm	1106 mm	1127 mm	1147 mm
K Head Tube Length	85 mm	90 mm	100 mm	115 mm
L Reach	402 mm	420 mm	437 mm	452 mm
M Stack	637 mm	642 mm	651 mm	666 mm

Colore	Carbon / Flame Red / Nimbus Grey
Prezzo	€ 4.999



Frame	Podium Stealth Air Full Carbon
Sizes	S / M / L / XL
Rear shock	/
Fork	RockShox Sid 29 Select Charger RL Remote 100mm
Headset	Onoff Titan tapered Internal
Stem	Podium carbon integrated
Handlebar	Onoff Sulfur 0.2 740mm
Grips	Onoff Twin lock-on
Seatpost	Onoff Sulfur 0-R 27.2x400mm
Saddle	Mondraker XC Series
Front brake	Shimano MT501 160mm
Rear brake	Shimano MT501 160mm
Levers	Shimano MT501
Rims	Mavic Crossmax Tubeless Boost wheelset
Spokes	Mavic
Front hub	Mavic Boost 15x110mm
Rear hub	Mavic Boost 12x148mm
Tires	Maxxis Ikon 3C MAXX Speed TR 29x2.20
Crankset	Truvativ Stylo 6K Eagle DUB Boost DM34t
Bottom bracket	Sram DUB PF30 73mm
Pedals	/
Chain	Sram NX Eagle
Front derailleur	/
Rear derailleur	Sram GX Eagle X-Horizon Type3 1x12s
Shifters	Sram NX Eagle Trigger right 12s
Cassette	Sram XG1230 11-50t Eagle
Weight w/o pedals	/

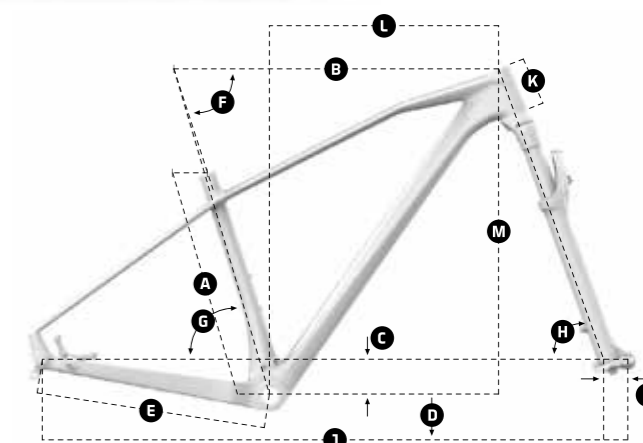


	S	M	L	XL
A Seat Tube Length	395 mm	430 mm	470 mm	520 mm
B Top Tube Length	590 mm	610 mm	630 mm	650 mm
C Bottom Bracket Drop	-65 mm	-65 mm	-65 mm	-65 mm
D Bottom Bracket Height	300 mm	300 mm	300 mm	300 mm
E Chainstay Length	432 mm	432 mm	432 mm	432 mm
F Seat Tube Angle, Actual	72°	72°	72°	72°
G Seat Tube Angle, Effective	73,5°	73,5°	73,5°	73,5°
H Head Tube Angle	70°	70°	70°	70°
I Fork Offset	44 mm	44 mm	44 mm	44 mm
J Wheelbase	1086 mm	1106 mm	1127 mm	1147 mm
K Head Tube Length	85 mm	90 mm	100 mm	115 mm
L Reach	402 mm	420 mm	437 mm	452 mm
M Stack	637 mm	642 mm	651 mm	666 mm

Colore	Black Phantom / Light Blue
Prezzo	€ 3.799



Frame	Chrono Stealth Full Carbon
Sizes	S / M / L / XL
Rear shock	/
Fork	Fox 32 Step Cast Float 29 Remote Grip Evol Performance Boost 100mm
Headset	Onoff Titan tapered Internal
Stem	Mondraker XC -5°
Handlebar	Onoff Sulfur 0.2 740mm
Grips	Onoff Desert lock-on S/M, L/XL
Seatpost	Onoff Sulfur 0-R 27.2x400mm
Saddle	Mondraker XC Series
Front brake	Shimano M501 160mm
Rear brake	Shimano M501 160mm
Levers	Shimano M501
Rims	Mavic Crossmax Tubeless Boost wheelset
Spokes	Mavic
Front hub	Mavic Boost 15x110mm
Rear hub	Mavic Boost 12x148mm
Tires	Maxxis Ikon 3C MAXX Speed TR 29x2.20
Crankset	Truvativ Stylo 6K Eagle DUB Boost DM34t
Bottom bracket	Sram DUB PF30 73mm
Pedals	/
Chain	Sram NX Eagle
Front derailleur	/
Rear derailleur	Sram GX Eagle X-Horizon Type3 1x12s
Shifters	Sram NX Eagle Trigger right 12s
Cassette	Sram Eagle XG1230 11-50t 12s
Weight w/o pedals	/



	S	M	L	XL
A Seat Tube Length	395 mm	430 mm	470 mm	520 mm
B Top Tube Length	590 mm	610 mm	630 mm	650 mm
C Bottom Bracket Drop	-65 mm	-65 mm	-65 mm	-65 mm
D Bottom Bracket Height	305 mm	305 mm	305 mm	305 mm
E Chainstay Length	430 mm	430 mm	430 mm	430 mm
F Seat Tube Angle, Actual	72°	72°	72°	72°
G Seat Tube Angle, Effective	73,5°	73,5°	73,5°	73,5°
H Head Tube Angle	70°	70°	70°	70°
I Fork Offset	44-42-51 mm	44-42-51 mm	44-42-51 mm	44-42-51 mm
J Wheelbase	1086 mm	1106 mm	1127 mm	1148 mm
K Head Tube Length	85 mm	90 mm	100 mm	115 mm
L Reach	411 mm	430 mm	447 mm	463 mm
M Stack	605 mm	610 mm	619 mm	632 mm

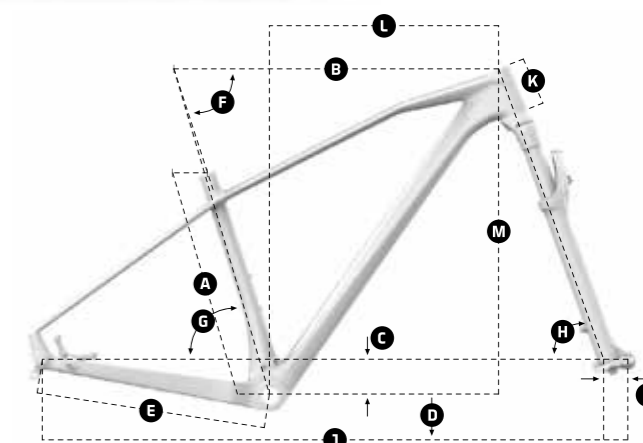
Colore Carbon / Light Green / FOX Orange

Prezzo

€ 2.999



Frame	Chrono Stealth Full Carbon
Sizes	S / M / L / XL
Rear shock	/
Fork	RockShox Sid 29 Select Charger RL Remote 100mm
Headset	Onoff Titan tapered Internal
Stem	Mondraker XC -5°
Handlebar	Onoff Sulfur 0.2 740mm
Grips	Onoff Twin lock-on
Seatpost	Onoff Sulfur 0-R 27.2x400mm
Saddle	Mondraker XC Series
Front brake	Shimano M501 160mm
Rear brake	Shimano M501 160mm
Levers	Shimano M501
Rims	MDK-XP1 29 TL25 wheelset
Spokes	CN stainless
Front hub	MDK Disc Pro Boost 15x110mm
Rear hub	MDK Disc Pro Boost 12x148mm
Tires	Maxxis Ikon 3C MAXX Speed TR 29x2.20
Crankset	Truvativ Stylo 6K Eagle DUB Boost DM34t
Bottom bracket	Sram DUB PF30 73mm
Pedals	/
Chain	Sram SX Eagle
Front derailleur	/
Rear derailleur	Sram NX Eagle X-Horizon Type3 1x12s
Shifters	Sram SX Eagle Trigger right 12s
Cassette	Sram Eagle XG1230 11-50t 12s
Weight w/o pedals	/



	S	M	L	XL
A Seat Tube Length	395 mm	430 mm	470 mm	520 mm
B Top Tube Length	590 mm	610 mm	630 mm	650 mm
C Bottom Bracket Drop	-65 mm	-65 mm	-65 mm	-65 mm
D Bottom Bracket Height	305 mm	305 mm	305 mm	305 mm
E Chainstay Length	430 mm	430 mm	430 mm	430 mm
F Seat Tube Angle, Actual	72°	72°	72°	72°
G Seat Tube Angle, Effective	73,5°	73,5°	73,5°	73,5°
H Head Tube Angle	70°	70°	70°	70°
I Fork Offset	44-42-51 mm	44-42-51 mm	44-42-51 mm	44-42-51 mm
J Wheelbase	1086 mm	1106 mm	1127 mm	1148 mm
K Head Tube Length	85 mm	90 mm	100 mm	115 mm
L Reach	411 mm	430 mm	447 mm	463 mm
M Stack	605 mm	610 mm	619 mm	632 mm

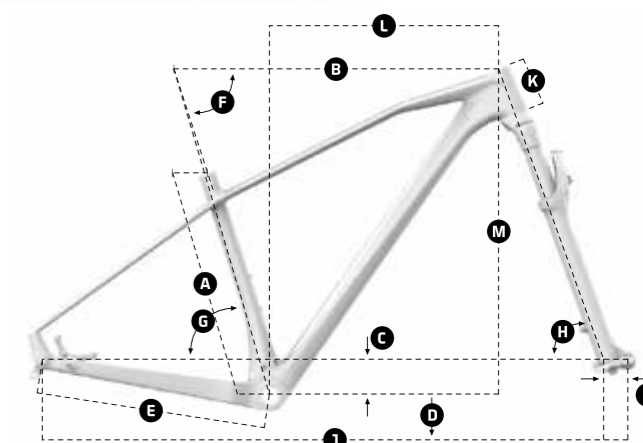
Colore Carbon / White / Flame Red

Prezzo

€ 2.499



Frame	Chrono Stealth Full Carbon
Sizes	S / M / L / XL
Rear shock	/
Fork	RockShox Judy Gold RL 29 Boost Remote 100mm
Headset	Onoff Titan tapered Internal
Stem	Mondraker XC -5°
Handlebar	Onoff Sulfur 0.2 740mm
Grips	Onoff Twin lock-on
Seatpost	Onoff Sulfur 0-R 27.2x400mm
Saddle	Mondraker XC Series
Front brake	Shimano MT201 160mm
Rear brake	Shimano MT201 160mm
Levers	Shimano MT201
Rims	MDK-XP1 29 TL25 wheelset
Spokes	CN stainless
Front hub	MDK Disc Pro Boost 15x110mm
Rear hub	MDK Disc Pro Boost 12x148mm
Tires	Maxxis Ikon 3C MAXX Speed TR 29x2.20
Crankset	Sram SX Eagle DUB Boost DM34t
Bottom bracket	Sram DUB PF30 73mm
Pedals	/
Chain	Sram SX Eagle
Front derailleur	/
Rear derailleur	Sram SX Eagle X-Horizon Type3 1x12s
Shifters	Sram SX Eagle Trigger right 12s
Cassette	Sram Eagle XG1230 11-50t 12s
Weight w/o pedals	/



	S	M	L	XL
A Seat Tube Length	395 mm	430 mm	470 mm	520 mm
B Top Tube Length	590 mm	610 mm	630 mm	650 mm
C Bottom Bracket Drop	-65 mm	-65 mm	-65 mm	-65 mm
D Bottom Bracket Height	305 mm	305 mm	305 mm	305 mm
E Chainstay Length	430 mm	430 mm	430 mm	430 mm
F Seat Tube Angle, Actual	72°	72°	72°	72°
G Seat Tube Angle, Effective	73,5°	73,5°	73,5°	73,5°
H Head Tube Angle	70°	70°	70°	70°
I Fork Offset	44-42-51 mm	44-42-51 mm	44-42-51 mm	44-42-51 mm
J Wheelbase	1086 mm	1106 mm	1127 mm	1148 mm
K Head Tube Length	85 mm	90 mm	100 mm	115 mm
L Reach	411 mm	430 mm	447 mm	463 mm
M Stack	605 mm	610 mm	619 mm	632 mm

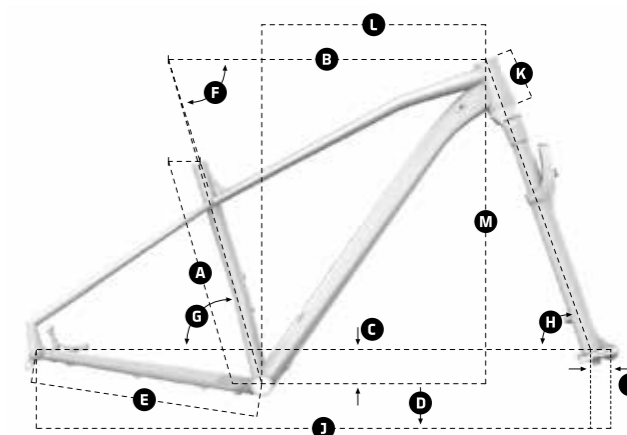
Colore Carbon / Light Blue / Flame Red

Prezzo

€ 1.799



Frame	Chrono Xtralite Full Butted Alloy
Sizes	S / M / L / XL
Rear shock	/
Fork	RockShox Judy Gold RL 29 Boost Remote 100mm
Headset	Onoff Saturn tapered
Stem	Onoff Sulfur +/-6°
Handlebar	Onoff Sulfur 0.2 740mm
Grips	Onoff Twin lock-on
Seatpost	Onoff Sulfur 0-R 27.2x400mm
Saddle	Mondraker XC Series
Front brake	Shimano MT201 160mm
Rear brake	Shimano MT201 160mm
Levers	Shimano MT201
Rims	Mavic Crossmax Tubeless Boost wheelset
Spokes	Mavic
Front hub	Mavic Boost 15x110mm
Rear hub	Mavic Boost 12x148mm
Tires	Maxxis Ikon 29x2.20
Crankset	Sram SX Eagle DUB Boost DM34t
Bottom bracket	Sram DUB PF30 73mm
Pedals	/
Chain	Sram SX Eagle
Front derailleur	/
Rear derailleur	Sram SX Eagle X-Horizon Type3 1x12s
Shifters	Sram SX Eagle Trigger right 12s
Cassette	Sram Eagle XG1210 11-50t 12s
Weight w/o pedals	/



	S	M	L	XL
A Seat Tube Length	395 mm	430 mm	470 mm	520 mm
B Top Tube Length	590 mm	610 mm	630 mm	650 mm
C Bottom Bracket Drop	-65 mm	-65 mm	-65 mm	-65 mm
D Bottom Bracket Height	305 mm	305 mm	305 mm	305 mm
E Chainstay Length	435 mm	435 mm	435 mm	435 mm
F Seat Tube Angle, Actual	72,5°	72,5°	72,5°	72,5°
G Seat Tube Angle, Effective	73,5°	73,5°	73,5°	73,5°
H Head Tube Angle	70°	70°	70°	70°
I Fork Offset	51 / 46 mm	51 / 46 mm	51 / 46 mm	51 / 46 mm
J Wheelbase	1087 mm	1107 mm	1127 mm	1148 mm
K Head Tube Length	100 mm	100 mm	110 mm	125 mm
L Reach	406 mm	426 mm	444 mm	460 mm
M Stack	618 mm	618 mm	628 mm	642 mm

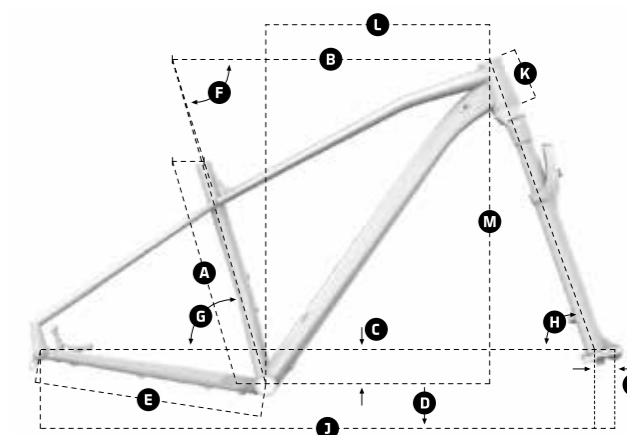
Colore Deep Blue / Light Blue / Flame Red

Prezzo

€ 1.599



Frame	Chrono Xtralite Full Butted Alloy
Sizes	S / M / L / XL
Rear shock	/
Fork	RockShox 30 Silver TK 29 Remote 100mm
Headset	Onoff Saturn tapered
Stem	Onoff Sulfur +/-6°
Handlebar	Onoff Sulfur 0.2 740mm
Grips	Onoff Twin lock-on
Seatpost	Onoff Sulfur 0-R 27.2x400mm
Saddle	Mondraker XC Series
Front brake	Shimano MT201 160mm
Rear brake	Shimano MT201 160mm
Levers	Shimano MT201
Rims	MDK-XP1 29 TL25 wheelset
Spokes	CN stainless
Front hub	MDK Disc Qr 9mm
Rear hub	MDK Disc Pro Boost 12x148mm
Tires	Maxxis Ikon 29x2.20
Crankset	Sram SX Eagle DUB Boost DM34t
Bottom bracket	Sram DUB PF30 73mm
Pedals	/
Chain	Sram SX Eagle
Front derailleur	/
Rear derailleur	Sram SX Eagle X-Horizon Type3 1x12s
Shifters	Sram SX Eagle Trigger right 12s
Cassette	Sram Eagle XG1210 11-50t 12s
Weight w/o pedals	/



	S	M	L	XL
A Seat Tube Length	395 mm	430 mm	470 mm	520 mm
B Top Tube Length	590 mm	610 mm	630 mm	650 mm
C Bottom Bracket Drop	-65 mm	-65 mm	-65 mm	-65 mm
D Bottom Bracket Height	305 mm	305 mm	305 mm	305 mm
E Chainstay Length	435 mm	435 mm	435 mm	435 mm
F Seat Tube Angle, Actual	72,5°	72,5°	72,5°	72,5°
G Seat Tube Angle, Effective	73,5°	73,5°	73,5°	73,5°
H Head Tube Angle	70°	70°	70°	70°
I Fork Offset	51 / 46 mm	51 / 46 mm	51 / 46 mm	51 / 46 mm
J Wheelbase	1087 mm	1107 mm	1127 mm	1148 mm
K Head Tube Length	100 mm	100 mm	110 mm	125 mm
L Reach	406 mm	426 mm	444 mm	460 mm
M Stack	618 mm	618 mm	628 mm	642 mm

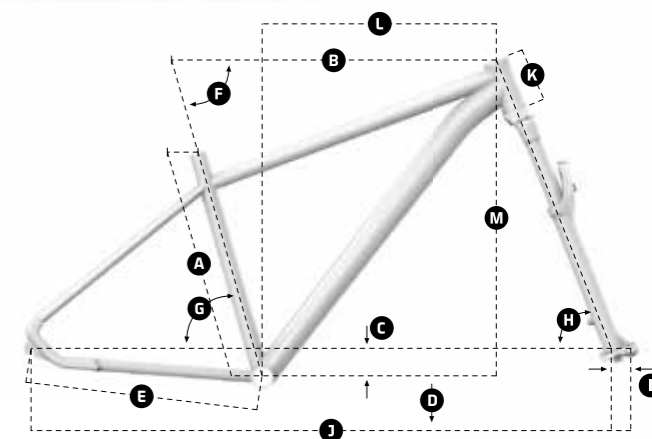
Colore Black / White / Flame Red
FOX Orange / Black / Light Green

Prezzo

€ 1.299



Frame	Phase 29 Custolite Alloy 6061 triple butted
Sizes	S / M / L / XL
Rear shock	/
Fork	Suntour XCM ATB 29 RL Remote Qr 100mm
Headset	CH 9280 ZS
Stem	MDK XC +/-7° 60/60/75/90mm
Handlebar	MDK XC 0.2 720mm
Grips	Onoff Diamond
Seatpost	MDK XC 27.2x350mm
Saddle	Mondraker Phase custom design
Front brake	Tektro HDM-285 Hydraulic disc brakes 160mm
Rear brake	Tektro HDM-285 Hydraulic disc brakes 160mm
Levers	Tektro HDM-285
Rims	MDK-XS1 29 wheelset
Spokes	CN stainless
Front hub	MDK Disc 9x100mm
Rear hub	MDK Disc 9x135mm
Tires	Kenda Slant Six 29x2.35 Wire
Crankset	Suntour XCM AX D 36/22T 2X10s.
Bottom bracket	Suntour BSA type
Pedals	Wellgo LU-895N flat
Chain	KMC X10 10s
Front derailleur	Shimano Deore FD-M6000-M
Rear derailleur	Shimano Deore RD-M6000 SGS 10s
Shifters	Shimano Deore SL-M6000 2x10s
Cassette	SunRace CS-MS1 11-36t 10s
Weight w/o pedals	/

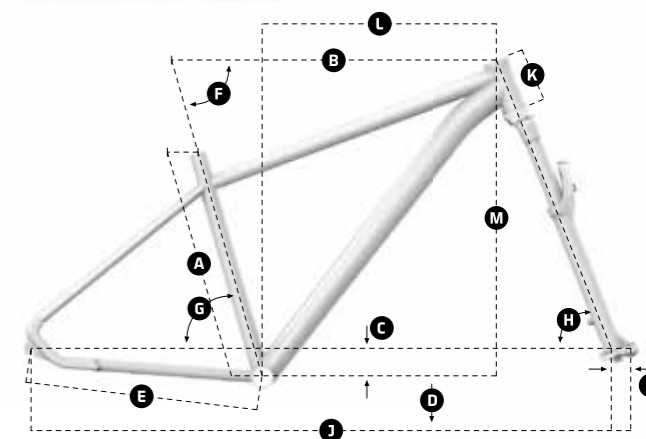


	S	M	L	XL
A Seat Tube Length	400 mm	440 mm	480 mm	520 mm
B Top Tube Length	575 mm	600 mm	620 mm	640 mm
C Bottom Bracket Drop	-65 mm	-65 mm	-65 mm	-65 mm
D Bottom Bracket Height	300 mm	300 mm	300 mm	300 mm
E Chainstay Length	445 mm	445 mm	445 mm	445 mm
F Seat Tube Angle, Actual	72°	72°	72°	72°
G Seat Tube Angle, Effective	73,5°	73,5°	73,5°	73,5°
H Head Tube Angle	69,5°	69,5°	69,5°	69,5°
I Fork Offset	46 mm	46 mm	46 mm	46 mm
J Wheelbase	1087 mm	1112 mm	1133 mm	1154 mm
K Head Tube Length	100 mm	100 mm	110 mm	125 mm
L Reach	392 mm	417 mm	434 mm	450 mm
M Stack	616 mm	616 mm	625 mm	639 mm

Colore	Black / Light Blue / Flame Red
Prezzo	€ 999,00



Frame	Phase 29 Custolite Alloy 6061 triple butted
Sizes	S / M / L / XL
Rear shock	/
Fork	Suntour XCT ATB 29 Hydraulic Lockout Qr 100mm
Headset	CH 9280 ZS
Stem	MDK XC +/-7° 60/60/75/90mm
Handlebar	MDK XC 0.2 720mm
Grips	Onoff Diamond
Seatpost	MDK XC 27.2x350mm
Saddle	Mondraker Phase custom design
Front brake	Tektro HDM-275 Hydraulic disc brakes 160mm
Rear brake	Tektro HDM-275 Hydraulic disc brakes 160mm
Levers	Tektro HDM-275
Rims	MDK-XS1 29 wheelset
Spokes	CN stainless
Front hub	MDK Disc 9x100mm
Rear hub	MDK Disc 9x135mm
Tires	Kenda Slant Six 29x2.35 Wire
Crankset	Shimano MT101-2 36/22T 2X9s.
Bottom bracket	CH-52_EN
Pedals	Wellgo LU-895N flat
Chain	KMC Z9 9s
Front derailleur	Shimano Alivio FD-M4000-M
Rear derailleur	Shimano Acera RD-M3000 SGS 9s
Shifters	Shimano Altus SL-M2010 2x9s
Cassette	Sunrace CS-M90 11-34t 9s
Weight w/o pedals	/



	S	M	L	XL
A Seat Tube Length	400 mm	440 mm	480 mm	520 mm
B Top Tube Length	575 mm	600 mm	620 mm	640 mm
C Bottom Bracket Drop	-65 mm	-65 mm	-65 mm	-65 mm
D Bottom Bracket Height	300 mm	300 mm	300 mm	300 mm
E Chainstay Length	445 mm	445 mm	445 mm	445 mm
F Seat Tube Angle, Actual	72°	72°	72°	72°
G Seat Tube Angle, Effective	73,5°	73,5°	73,5°	73,5°
H Head Tube Angle	69,5°	69,5°	69,5°	69,5°
I Fork Offset	46 mm	46 mm	46 mm	46 mm
J Wheelbase	1087 mm	1112 mm	1133 mm	1154 mm
K Head Tube Length	100 mm	100 mm	110 mm	125 mm
L Reach	392 mm	417 mm	434 mm	450 mm
M Stack	616 mm	616 mm	625 mm	639 mm

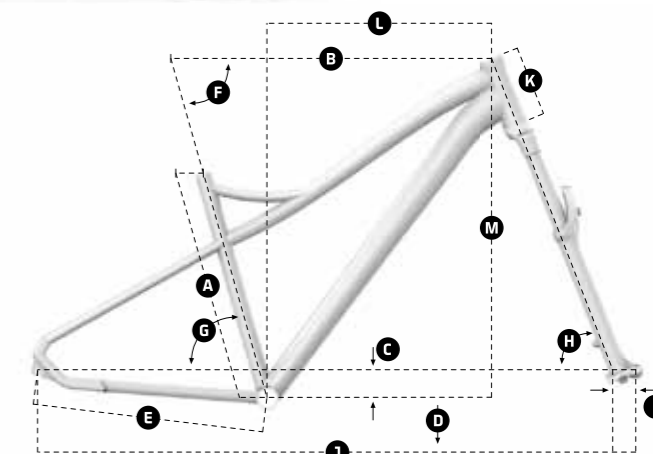
Colore Flame Red / White / Deep Blue

Prezzo

€
799,00



Frame	Neva 27'5 Custolite Alloy 6061 Customized tubing
Sizes	S / M / L
Rear shock	/
Fork	Suntour XCM ATB 27,5 RL Remote Qr 100mm
Headset	CH 9280 ZS
Stem	MDK XC +/-7° 60/60/75mm
Handlebar	MDK XC 1.0 660mm
Grips	Onoff Ergogrip
Seatpost	MDK XC 27.2x350mm
Saddle	Mondraker Neva custom design
Front brake	Tektro HDM-286 Hydraulic disc brakes 160mm
Rear brake	Tektro HDM-286 Hydraulic disc brakes 160mm
Levers	Tektro HDM-286 Shorter lever
Rims	MDK-XS1 27'5 wheelset
Spokes	CN stainless
Front hub	MDK Disc 9x100mm
Rear hub	MDK Disc 9x135mm
Tires	Kenda Slant Six 27,5x2.35 Wire
Crankset	Suntour XCM AX D 36/22T 2X10s.
Bottom bracket	Suntour BSA type
Pedals	Wellgo LU-895N flat
Chain	KMC X10 10s
Front derailleur	Shimano Deore FD-M6000-DS
Rear derailleur	Shimano Deore RD-M6000 SGS 10s
Shifters	Shimano Deore SL-M6000 2x10s
Cassette	SunRace CS-MS1 11-36t 10s
Weight w/o pedals	/



	S	M	L
A Seat Tube Length	330 mm	380 mm	430 mm
B Top Tube Length	535 mm	555 mm	580 mm
C Bottom Bracket Drop	-55 mm	-55 mm	-55 mm
D Bottom Bracket Height	300 mm	300 mm	300 mm
E Chainstay Length	425 mm	425 mm	425 mm
F Seat Tube Angle, Actual	74°	74°	74°
G Seat Tube Angle, Effective	74°	74°	74°
H Head Tube Angle	68,5°	68,5°	68,5°
I Fork Offset	42 mm	42 mm	42 mm
J Wheelbase	1042 mm	1064 mm	1090 mm
K Head Tube Length	100 mm	120 mm	130 mm
L Reach	366 mm	380 mm	403 mm
M Stack	588 mm	607 mm	616 mm

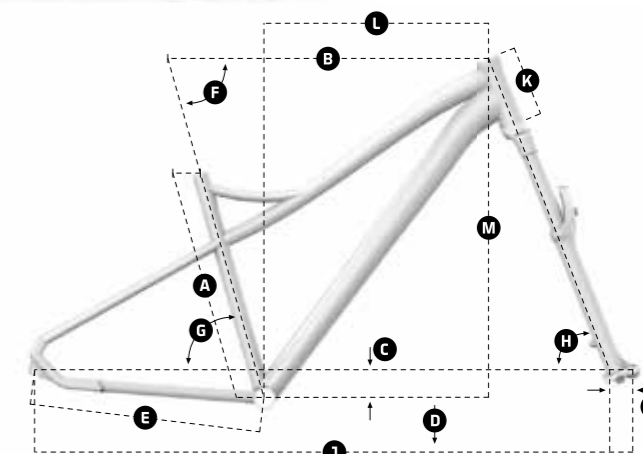
Colore White / Fuchsia / Petrol

Prezzo

€
999,00



Frame	Neva 27'5 Custolite Alloy 6061 Customized tubing
Sizes	S / M / L
Rear shock	/
Fork	Suntour XCT ATB 27,5 Hydraulic Lockout Qr 100mm
Headset	CH 9280 ZS
Stem	MDK XC +/-7° 60/60/75mm
Handlebar	MDK XC 1.0 660mm
Grips	Onoff Ergogrip
Seatpost	MDK XC 27.2x350mm
Saddle	Mondraker Neva custom design
Front brake	Tektro HDM-276 Hydraulic disc brakes 160mm
Rear brake	Tektro HDM-276 Hydraulic disc brakes 160mm
Levers	Tektro HDM-276 Shorter lever
Rims	MDK-XS1 27'5 wheelset
Spokes	CN stainless
Front hub	MDK Disc 9x100mm
Rear hub	MDK Disc 9x135mm
Tires	Kenda Slant Six 27,5x2.35 Wire
Crankset	Shimano MT101-2 36/22T 2X9s.
Bottom bracket	CH-52_EN
Pedals	Wellgo LU-895N flat
Chain	KMC Z9 9s
Front derailleur	Shimano Alivio FD-M4000-M
Rear derailleur	Shimano Acera RD-M3000 SGS 9s
Shifters	Shimano Altus SL-M2010 2x9s
Cassette	Sunrace CS-M90 11-34t 9s
Weight w/o pedals	/



	S	M	L
A Seat Tube Length	330 mm	380 mm	430 mm
B Top Tube Length	535 mm	555 mm	580 mm
C Bottom Bracket Drop	-55 mm	-55 mm	-55 mm
D Bottom Bracket Height	300 mm	300 mm	300 mm
E Chainstay Length	425 mm	425 mm	425 mm
F Seat Tube Angle, Actual	74°	74°	74°
G Seat Tube Angle, Effective	74°	74°	74°
H Head Tube Angle	68,5°	68,5°	68,5°
I Fork Offset	42 mm	42 mm	42 mm
J Wheelbase	1042 mm	1064 mm	1090 mm
K Head Tube Length	100 mm	120 mm	130 mm
L Reach	366 mm	380 mm	403 mm
M Stack	588 mm	607 mm	616 mm

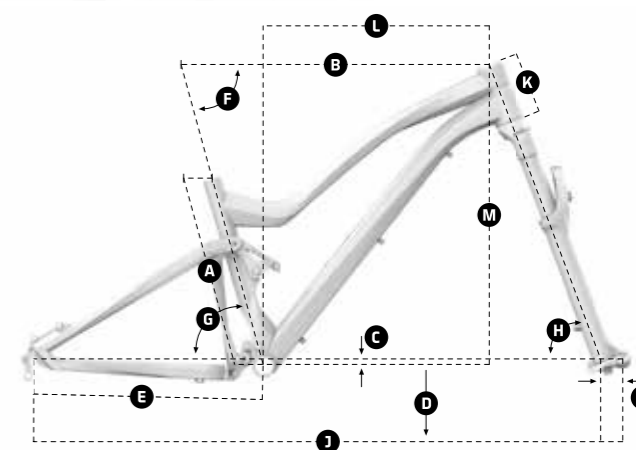
Colore Black / Light Green / Gum

Prezzo

€
799,00



Frame	Factor 26" Stealth 2.0 Zero Suspension System 90mm
Sizes	one size
Rear shock	RockShox Monarch R Solo Air 152x31mm
Fork	RockShox 30 Gold RL Solo Air Qr 100mm
Headset	Onoff Saturn Tapered
Stem	Onoff Sulfur FG 30mm
Handlebar	SDG Slater JR 650x20mm grip D19mm
Grips	SDG Slater JR D19mm
Seatpost	Onoff Sulfur 0-R 31.6x300mm
Saddle	SDG Fly JR
Front brake	Shimano MT-501 160mm
Rear brake	Shimano MT-501 160mm
Levers	Shimano MT-501
Rims	MDK-XP1 26" wheelset
Spokes	CN stainless
Front hub	MDK Disc 9x100mm
Rear hub	MDK Disc 9x135mm
Tires	Kenda Small Block Eight 26x2.35
Crankset	Sram SX Eagle 155mm DUB Boost DM30t
Bottom bracket	Sram DUB PF30 73mm
Pedals	/
Chain	Sram SX Eagle
Front derailleur	/
Rear derailleur	Sram SX Eagle X-Horizon Type3 1x12s
Shifters	Sram SX Eagle Trigger right 12s
Cassette	Sram Eagle XG1230 11-50t 12s
Weight w/o pedals	/



	26"
A	Seat Tube Length 350 mm
B	Top Tube Length 570 mm
C	Bottom Bracket Drop -10 mm
D	Bottom Bracket Height 320 mm
E	Chainstay Length 420 mm
F	Seat Tube Angle, Actual 73°
G	Seat Tube Angle, Effective 74°
H	Head Tube Angle 69°
I	Fork Offset 40 mm
J	Wheelbase 1075 mm
K	Head Tube Length 112 mm
L	Reach 414 mm
M	Stack 542 mm

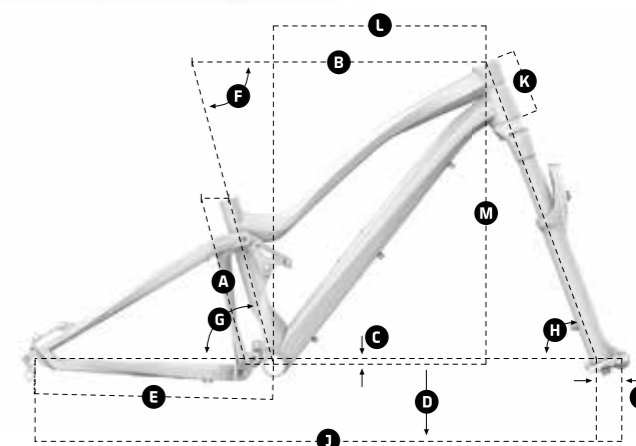
Colore Black / Light Blue / Flame Red

Prezzo

€ 2.399



Frame	Factor 26" Stealth 2.0 Zero Suspension System 90mm
Sizes	one size
Rear shock	RockShox Monarch R Solo Air 152x31mm
Fork	RockShox 30 Gold RL Solo Air Qr 80mm
Headset	Onoff Saturn Tapered
Stem	Onoff Sulfur FG 30mm
Handlebar	SDG Slater JR 650x20mm grip D19mm
Grips	SDG Slater JR D19mm
Seatpost	Onoff Sulfur 0-R 31.6x300mm
Saddle	SDG Fly JR
Front brake	Shimano MT-501 160mm
Rear brake	Shimano MT-501 160mm
Levers	Shimano MT-501
Rims	MDK-XP1 26" wheelset
Spokes	CN stainless
Front hub	MDK Disc 9x100mm
Rear hub	MDK Disc 9x135mm
Tires	Kenda Small Block Eight 24x2.1
Crankset	Sram SX Eagle 155mm DUB Boost DM30t
Bottom bracket	Sram DUB PF30 73mm
Pedals	/
Chain	Sram SX Eagle
Front derailleur	/
Rear derailleur	Sram SX Eagle X-Horizon Type3 1x12s
Shifters	Sram SX Eagle Trigger right 12s
Cassette	Sram Eagle XG1230 11-50t 12s
Weight w/o pedals	/



	24"	
A	Seat Tube Length	300 mm
B	Top Tube Length	525 mm
C	Bottom Bracket Drop	-10 mm
D	Bottom Bracket Height	295 mm
E	Chainstay Length	420 mm
F	Seat Tube Angle, Actual	73°
G	Seat Tube Angle, Effective	74°
H	Head Tube Angle	69°
I	Fork Offset	40 mm
J	Wheelbase	1028 mm
K	Head Tube Length	112 mm
L	Reach	374 mm
M	Stack	515 mm

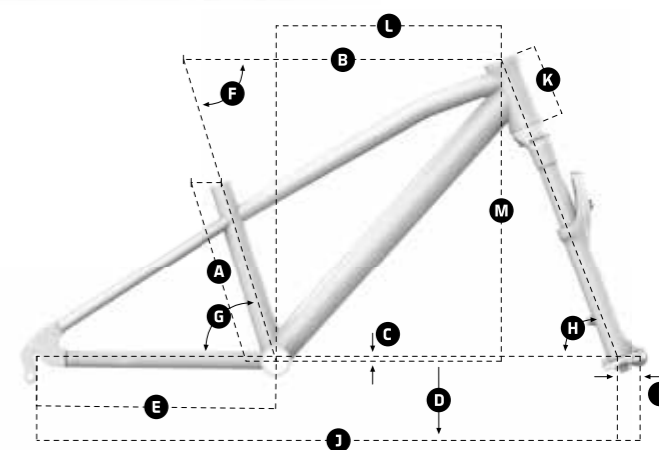
Colore Light Green / FOX Orange

Prezzo

€ 2.399



Frame	Leader 24" Custolite Alloy 7005 butted
Sizes	12" one size
Rear shock	/
Fork	Suntour M3010 24 50mm Soft spring
Headset	CH Semi-integrated Aheadset
Stem	Mondraker XC 15x60mm
Handlebar	Mondraker 30rise 620mm
Grips	Diamond black soft 86mm
Seatpost	MDK XC 27.2x300mm
Saddle	Mondraker Leader Kids series
Front brake	Tektro Alloy V-Brake
Rear brake	Tektro Alloy V-Brake
Levers	Tektro 2-finger kids
Rims	MDK-24 Alloy black 24"x32h
Spokes	Stainless silver
Front hub	Formula Alloy black 32h
Rear hub	Formula Alloy black 32h
Tires	Kenda Small Block Eight 24x2.1
Crankset	ProWheel PRO 36t 152mm
Bottom bracket	CH-52-EN Cartridge
Pedals	Wellgo LU-205 flat
Chain	KCM Z-72
Front derailleur	/
Rear derailleur	Shimano Altus RD-M310
Shifters	Shimano SL RS45 Revoshift 8s
Cassette	Sunrace CS-M66 11-34t 8s
Weight w/o pedals	/

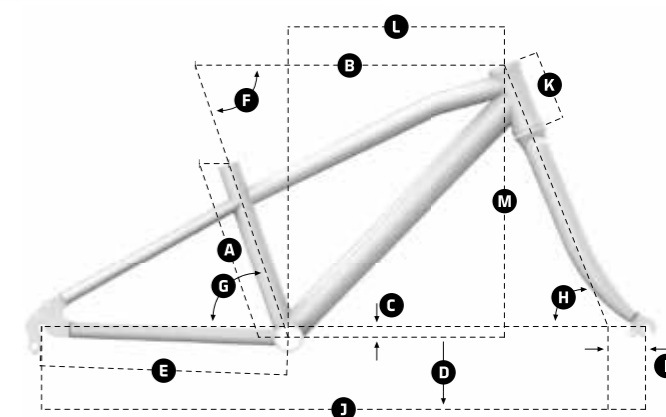


	24"
A Seat Tube Length	320 mm
B Top Tube Length	510 mm
C Bottom Bracket Drop	-30 mm
D Bottom Bracket Height	280 mm
E Chainstay Length	395 mm
F Seat Tube Angle, Actual	71°
G Seat Tube Angle, Effective	71°
H Head Tube Angle	68°
I Fork Offset	40 mm
J Wheelbase	964 mm
K Head Tube Length	100 mm
L Reach	340 mm
M Stack	495 mm

Colore	Deep Blue / Light Blue / Flame Red
Prezzo	€ 499,00



Frame	Leader 20" Custolite Alloy 7005 butted
Sizes	10" one size
Rear shock	/
Fork	MDK 20" Kid Alloy + Cr-mo rigid fork
Headset	CH Semi-integrated Aheadset
Stem	Mondraker XC 15x60mm
Handlebar	Mondraker 20rise 560mm
Grips	Diamond black soft 75/102mm
Seatpost	MDK XC 27.2x350mm
Saddle	Mondraker Leader Kids series
Front brake	Tektro Alloy V-Brake
Rear brake	Tektro Alloy V-Brake
Levers	Tektro 2-finger kids
Rims	MDK-20 Alloy black 20"x32h
Spokes	Stainless silver
Front hub	Formula Alloy black 32h
Rear hub	Formula Alloy black 32h
Tires	Kenda Small Block Eight 20x2.1
Crankset	ProWheel PRO 36t 140mm
Bottom bracket	CH-52 Cartridge
Pedals	Wellgo LU-P28 flat
Chain	KCM Z-50
Front derailleur	/
Rear derailleur	Shimano RD-TY300 7s
Shifters	Shimano SL RS35 Revoshift 7s
Cassette	Shimano MF-TZ20 14-28T 7s
Weight w/o pedals	/



	20"
A Seat Tube Length	260 mm
B Top Tube Length	440 mm
C Bottom Bracket Drop	-15 mm
D Bottom Bracket Height	240 mm
E Chainstay Length	350 mm
F Seat Tube Angle, Actual	71°
G Seat Tube Angle, Effective	71°
H Head Tube Angle	68°
I Fork Offset	45 mm
J Wheelbase	855 mm
K Head Tube Length	100 mm
L Reach	307 mm
M Stack	385 mm

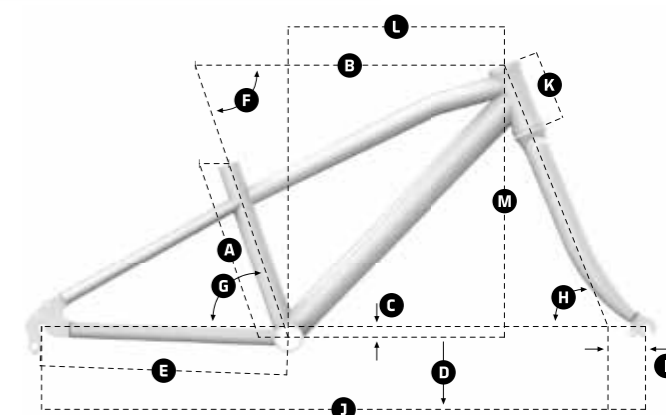
Colore Light Blue / Flame Red / Deep Blue

Prezzo

€
449,00



Frame	Leader 16" Custolite Alloy 7005 butted
Sizes	8" one size
Rear shock	/
Fork	MDK 16" Kid Alloy + Cr-mo rigid fork
Headset	CH Semi-integrated Aheadset
Stem	Mondraker XC 15x40mm
Handlebar	Mondraker 20rise 480mm
Grips	Diamond black soft 75/102mm
Seatpost	Mondraker XC 27.2mm 250mm
Saddle	Mondraker Leader Kids series
Front brake	Tektro Alloy V-Brake
Rear brake	Tektro Alloy V-Brake
Levers	Tektro 2-finger kids
Rims	MDK-16 Alloy black 16"x32h
Spokes	Stainless silver
Front hub	Formula Alloy black 32h
Rear hub	Formula Alloy black 32h
Tires	Kenda Kaos 16x2.1
Crankset	ProWheel PRO 32t 105mm
Bottom bracket	CH-52 Cartridge
Pedals	Wellgo LU-P28 flat
Chain	KCM Z-50
Front derailleur	/
Rear derailleur	Shimano RD-FT35-SS
Shifters	Shimano SL RS35 Revoshift 6s
Cassette	Shimano MF-TZ20 14-28T 6s
Weight w/o pedals	/



	16"
A	Seat Tube Length 210 mm
B	Top Tube Length 395 mm
C	Bottom Bracket Drop -10 mm
D	Bottom Bracket Height 190 mm
E	Chainstay Length 310 mm
F	Seat Tube Angle, Actual 69°
G	Seat Tube Angle, Effective 69°
H	Head Tube Angle 70°
I	Fork Offset 30 mm
J	Wheelbase 739 mm
K	Head Tube Length 80 mm
L	Reach 284 mm
M	Stack 322 mm

Colori Black / Light Blue / Flame Red

Prezzo

€
429,00



I canadesi di Rocky Mountain sono davvero dei grandi: quando è esploso il fenomeno delle e-Bike, soprattutto i marchi e gli appassionati europei hanno risposto con calore ed entusiasmo.

Gli appassionati di Stati Uniti e Canada sono rimasti sulla sponda degli haters.

Ma Rocky Mountain no. Tutt'altro.

Del resto un marchio nato nel 1981, un marchio che nella sua storia annovera Mtb come la Slayer, la Altitude e la Element e rider come Wade Simmons e Thomas Vanderham, non poteva affidarsi a soluzioni stock.

Ha cercato la strada più difficile, ma anche quella più redditizia: creare in casa, in tutto e per tutto, la loro prima e-Mtb.

La Altitude Powerplay, infatti, è un punto fermo nel sempre più affollato settore delle e-Mtb. Ed è così che Rocky Mountain continua ad essere un'icona.

Rallentando l'invecchiamento dei suoi prodotti come si conviene ai marchi di punta.



dsb

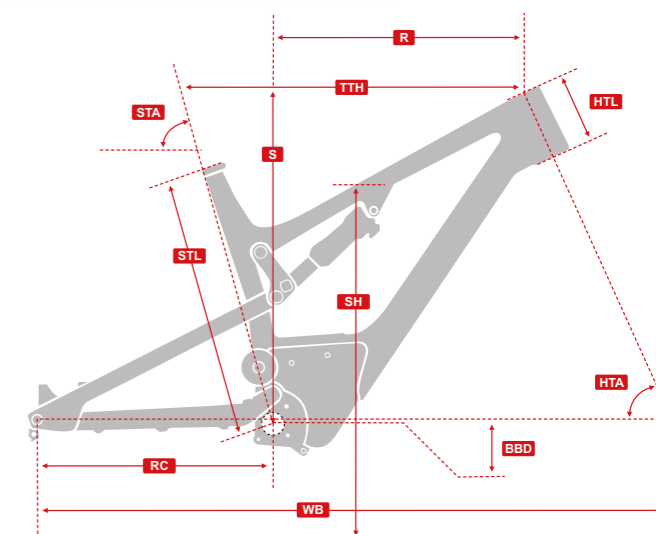
SEMPLICEMENTE BICI

2020



ALTITUDE POWERPLAY C90

Frame	SMOOTHWALL™ Carbon. Full Sealed Cartridge Bearings. Press Fit BB. Internal Cable Routing. 2-Bolt ISCG05 Tabs. RIDE-9™ Adjustable Geometry + Suspension Rate. 150mm Travel
Drive System	Dynamo 3.0 Drive 250w / 48v. iWoc TRIO Remote
Battery	Li-Ion 672 Watt/Hr
Remote	iWoc TRIO
Sizes	SM - MD - LG - XL
Fork	Fox 36 E-MTB Float EVOL GRIP2 Factory 160mm 37mm Offset
Front Travel	160 mm
Shock	Fox Float X2 Factory
Rear Travel	150 mm
Headset	FSA Orbit NO.57E
Stem	Rocky Mountain 35 CNC
Handlebar	Race Face Turbine R 780mm
Grips	Rocky Mountain Lock On XC
Brakes	Shimano XT Trail 4 Piston / Shimano RT86 203mm / Shimano RT86 203mm
Brake levers	Shimano XT Trail 4 Piston
Shifters	Shimano XT
Rear derailleur	Shimano XT
Crankset	Race Face Turbine Cinch 34T
Bottom bracket	Race Face BB92 30mm
Cassette	Shimano XT 10-51T
Chain	Shimano HG8100
Front hub	Rocky Mountain Sealed Boost 15mm
Rear hub	DT Swiss Hybrid 350 Boost 148mm
Spokes	DT Swiss Alpine 2.3/2.0
Rims	Race Face ARC 35
Tires	Maxxis Minion DHF WT Double Down Maxx Grip 3C Tubeless Ready 27.5 x 2.5 / Maxxis Aggressor WT Double Down Tubeless Ready 27.5 x 2.5
Seatpost	Race Face Turbine R (by Fox) Dropper 30.9mm
Saddle	WTB Volt Race 142
Weight	23,3 kg



	SM	MD	LG	XL
HTA Head Tube Angle (deg)	65°	65,6°	65,6°	65,6°
STA Seat Tube Angle (deg)	74,5°	74,6°	74,6°	74,6°
STL Seat Tube Length (mm)	419	457	483	521
TTH Top Tube Horizontal (mm)	576	601	626	656
HTL Head Tube Length (mm)	100	120	130	145
RC Rear Centre (mm)	425	425	425	425
BBD Bottom Bracket Drop (mm)	7	7	7	7
SH Standover Height (mm)	813	818	816	816
WB Wheelbase (mm)	1156	1179	1205	1238
R Reach (mm)	416	435	458	484
S Stack (mm)	579	600	610	623

Colore Zombie + Space Oddity + Brass Monkey

Prezzo

€ 8.999

ALTITUDE POWERPLAY

ALTITUDE POWERPLAY C70 SHIMANO

Frame	SMOOTHWALL™ Carbon. Full Sealed Cartridge Bearings. Press Fit BB. Internal Cable Routing. 2-Bolt ISCG05 Tabs. RIDE-9™ Adjustable Geometry + Suspension Rate. 150mm Travel.
Drive System	Dyname 3.0 Drive 250w / 48v. iWoc TRIO Remote
Battery	Li-Ion 672 Watt/Hr
Remote	iWoc TRIO
Sizes	SM - MD - LG - XL
Fork	Fox 36 Float EVOL FIT4 Performance Elite 160mm 37mm Offset
Front Travel	160 mm
Shock	Fox Float DPS EVOL Performance Elite
Rear Travel	150 mm
Headset	FSA Orbit NO.57E
Stem	Rocky Mountain 35 AM
Handlebar	Rocky Mountain AM 780mm
Grips	Rocky Mountain Lock On Light
Brakes	Shimano XT Trail 4 Piston
Brake levers	Shimano XT Trail 4 Piston
Shifters	Sram GX-1E Eagle
Rear derailleur	Sram GX Eagle
Crankset	Race Face Aeffect Cinch 34T
Bottom bracket	Shimano SM-BB71
Cassette	Sram PG-1230 11-50T
Chain	Sram NX Eagle. E-MTB Approved
Front hub	Rocky Mountain Sealed Boost 15mm
Rear hub	DT Swiss Hybrid 370 Boost 148mm
Spokes	DT Swiss Alpine 2.3/2.0
Rims	Race Face AR 35
Tires	Maxxis Minion DHF WT Double Down Maxx Grip 3C Tubeless Ready 27.5 x 2.5 / Maxxis Aggressor WT Double Down Tubeless Ready 27.5 x 2.5
Seatpost	Race Face Turbine R (by Fox) Dropper 30.9mm
Saddle	WTB Volt Race 142
Weight	23,3 kg



Prezzo Altitude Powerplay C70 Shimano

€
7.799

ALTITUDE POWERPLAY C50 SRAM

Frame	SMOOTHWALL™ Carbon. Full Sealed Cartridge Bearings. Press Fit BB. Internal Cable Routing. 2-Bolt ISCG05 Tabs. RIDE-9™ Adjustable Geometry + Suspension Rate. 150mm Travel
Drive System	Dyname 3.0 Drive 250w / 48v. iWoc TRIO Remote
Battery	Li-Ion 672 Watt/Hr
Remote	iWoc TRIO
Sizes	SM - MD - LG - XL
Fork	RockShox Lyrik Select RC 160mm 37mm Offset
Front Travel	160 mm
Shock	RockShox Deluxe Select+ RT
Rear Travel	150 mm
Headset	FSA Orbit NO.57E
Stem	Rocky Mountain 35 AM
Handlebar	Rocky Mountain AM 780mm
Grips	Rocky Mountain Lock On Light
Brakes	Shimano MT520 4 Piston
Brake levers	Shimano MT520 4 Piston
Shifters	Sram NX-1E Eagle
Rear derailleur	Sram GX Eagle
Crankset	Race Face Ride Cinch 34T
Bottom bracket	Shimano SM-BBMT500
Cassette	Sram PG-1230 11-50T
Chain	Sram NX Eagle. E-MTB Approved
Front hub	Rocky Mountain Sealed Boost 15mm Torque Cap
Rear hub	DT Swiss Hybrid 370 Boost 148mm
Spokes	DT Swiss Alpine 2.3/2.0
Rims	WTB ST i35 TCS 2.0 Tubeless
Tires	Maxxis Minion DHF WT Double Down Maxx Grip 3C Tubeless Ready 27.5 x 2.5 / Maxxis Aggressor WT Double Down Tubeless Ready 27.5 x 2.5
Seatpost	Race Face Aeffect R Dropper 30.9mm
Saddle	WTB Volt Race 142
Weight	23,53 kg



Prezzo Altitude Powerplay C50 Sram

€
6.699

ALTITUDE POWERPLAY A70 SRAM

Frame	FORM™ Alloy. Full Sealed Cartridge Bearings. Press Fit BB. Internal Cable Routing. 2-Bolt ISCG05 Tabs. RIDE-9™ Adjustable Geometry + Suspension Rate. 150mm Travel
Drive System	Dyname 3.0 Drive 250w / 48v. iWoc TRIO Remote
Battery	Li-Ion 672 Watt/Hr
Remote	iWoc Trio
Sizes	SM - MD - LG - XL
Fork	Fox 36 E-MTB Float EVOL Grip Performance 160mm 37mm Offset
Front Travel	160 mm
Shock	Fox Float DPS EVOL Performance
Rear Travel	150 mm
Headset	FSA Orbit NO.57E
Stem	Rocky Mountain 35 AM
Handlebar	Rocky Mountain AM 780mm
Grips	Rocky Mountain Lock On Light
Brakes	Sram Code R
Brake levers	Sram Code R
Shifters	Sram GX-1E Eagle
Rear derailleur	Sram GX Eagle
Crankset	Race Face Aeffect Cinch 34T
Bottom bracket	Shimano SM-BBMT500
Cassette	Sram PG-1230 11-50T
Chain	Sram NX Eagle. E-MTB Approved
Front hub	Rocky Mountain Sealed Boost 15mm
Rear hub	DT Swiss Hybrid 370 Boost 148mm
Spokes	DT Swiss Alpine 2.3/2.0
Rims	WTB ST i35 TCS 2.0 Tubeless
Tires	Maxxis Minion DHF WT Double Down Maxx Grip 3C Tubeless Ready 27.5 x 2.5 / Maxxis Aggressor WT Double Down Tubeless Ready 27.5 x 2.5
Seatpost	Race Face Turbine R (by Fox) Dropper 30.9mm
Saddle	WTB Volt Race 142
Weight	24,85 kg



Prezzo Altitude Powerplay A70 Sram

€
6.399

ALTITUDE POWERPLAY A50 SRAM

Frame	FORM™ Alloy. Full Sealed Cartridge Bearings. Press Fit BB. Internal Cable Routing. 2-Bolt ISCG05 Tabs. RIDE-9™ Adjustable Geometry + Suspension Rate. 150mm Travel
Drive System	Dyname 3.0 Drive 250w / 48v. iWoc TRIO Remote
Battery	Li-Ion 672 Watt/Hr
Remote	iWoc TRIO
Sizes	SM - MD - LG - XL
Fork	RockShox Yari RC 160mm 37mm Offset
Front Travel	160 mm
Shock	RockShox Deluxe Select+ RT
Rear Travel	150 mm
Headset	FSA Orbit NO.57E
Stem	Rocky Mountain 35 AM
Handlebar	Rocky Mountain AM 780mm
Grips	Rocky Mountain Lock On Light
Brakes	Sram Guide RE
Brake levers	Sram Guide RE
Shifters	Sram NX-1E Eagle
Rear derailleur	Sram NX Eagle
Crankset	Race Face Ride Cinch 34T
Bottom bracket	Shimano SM-BBMT500
Cassette	Sram PG-1230 11-50T
Chain	Sram SX Eagle. E-MTB Approved
Front hub	Shimano MT400 Boost 15mm
Rear hub	Shimano MT400 Boost 148mm
Spokes	DT Swiss Champion 2.0
Rims	WTB ST i35 TCS 2.0 Tubeless
Tires	Maxxis Minion DHF WT Double Down Maxx Grip 3C Tubeless Ready 27.5 x 2.5 / Maxxis Aggressor WT Double Down Tubeless Ready 27.5 x 2.5
Seatpost	Race Face Aeffect R Dropper 30.9mm
Saddle	WTB Volt Race 142
Weight	24,65 kg



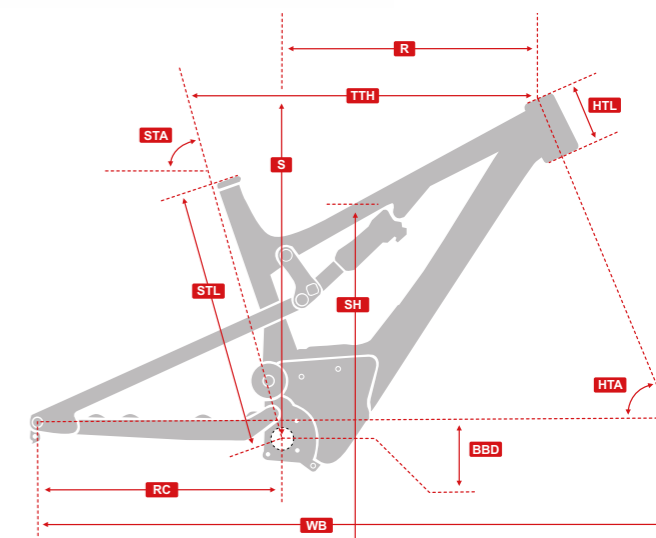
Prezzo Altitude Powerplay A50 Sram

€
5.799



INSTINCT POWERPLAY C90

Frame	SMOOTHWALL™ Carbon. Full Sealed Cartridge Bearings. Press Fit BB. Internal Cable Routing. 2-Bolt ISCG05 Tabs. RIDE-9™ Adjustable Geometry + Suspension Rate. 140mm Travel
Drive System	Dynamo 3.0 Drive 250w / 48v. iWoc TRIO Remote
Battery	Li-Ion 672 Watt/Hr
Remote	iWoc TRIO
Sizes	SM - MD - LG - XL
Fork	RockShox Pike Ultimate RCT3 140mm E-MTB Approved 42mm Offset
Front Travel	140 mm
Shock	RockShox Deluxe Ultimate RCT
Rear Travel	140 mm
Headset	FSA Orbit NO.57E
Stem	Rocky Mountain 35 CNC
Handlebar	Race Face Next R 780mm
Grips	Rocky Mountain Lock On XC
Brakes	Sram Code RSC
Brake levers	Sram Code RSC
Shifters	Sram X01E Eagle
Rear derailleur	Sram X01 Eagle
Crankset	Race Face Turbine Cinch 34T
Bottom bracket	Race Face BB92 30mm
Cassette	Sram PG-1230 11-50T
Chain	Sram NX Eagle. E-MTB Approved
Front hub	RRocky Mountain Sealed Boost 15mm Torque Cap
Rear hub	DT Swiss Hybrid 350 Boost 148mm
Spokes	DT Swiss Alpine 2.3/2.0
Rims	Race Face ARC 35
Tires	Maxxis Minion DHF EXO+ Maxx Terra Tubeless Ready 29 x 2.6 Maxxis Rekon Maxx Terra EXO+ Silk Shield Tubeless Ready 29 x 2.6
Seatpost	Race Face Turbine R (by Fox) Dropper 30.9mm
Saddle	WTB Volt Race 142
Weight	-



	SM	MD	LG	XL
HTA Head Tube Angle (deg)	66,5°	66,5°	66,5°	66,5°
STA Seat Tube Angle (deg)	75,2°	75,3°	75,1°	75,1°
STL Seat Tube Length (mm)	394	432	470	508
TTH Top Tube Horizontal (mm)	573	597	624	654
HTL Head Tube Length (mm)	100	100	110	120
RC Rear Centre (mm)	442	442	442	442
BBD Bottom Bracket Drop (mm)	30	30	30	30
SH Standover Height (mm)	818	812	811	809
WB Wheelbase (mm)	1161	1186	1213	1244
R Reach (mm)	412	437	460	487
S Stack (mm)	608	608	617	626

Colore Sunday Bloody Sunday + Flaming Lips + Back in Black
Folsom Prison Blue + Nevermind + Back in Black

Prezzo

€
8.699

INSTINCT POWERPLAY C70 SHIMANO

Frame	SMOOTHWALL™ Carbon. Full Sealed Cartridge Bearings. Press Fit BB. Internal Cable Routing. 2-Bolt ISCG05 Tabs. RIDE-9™ Adjustable Geometry + Suspension Rate. 140mm Travel
Drive System	Dyname 3.0 Drive 250w / 48v. iWoc TRIO Remote
Battery	Li-Ion 672 Watt/Hr
Remote	iWoc TRIO
Sizes	SM - MD - LG - XL
Fork	Fox 36 E-MTB Float EVOL FIT4 Performance Elite Series 140mm 44mm Offset
Front Travel	140 mm
Shock	Fox Float DPS EVOL Performance
Rear Travel	140 mm
Headset	FSA Orbit NO.57E
Stem	Rocky Mountain 35 AM
Handlebar	Rocky Mountain AM 780mm
Grips	Rocky Mountain Lock On XC
Brakes	Shimano XT Trail 4 Piston
Brake levers	Shimano XT Trail 4 Piston
Shifters	Shimano XT
Rear derailleur	Shimano XT
Crankset	Race Face Aeffect Cinch 34T
Bottom bracket	Shimano SM-BB71
Cassette	Shimano XT 10-51T
Chain	Shimano HG8100
Front hub	Rocky Mountain Sealed Boost 15mm
Rear hub	DT Swiss Hybrid 370 Boost 148mm
Spokes	DT Swiss Alpine 2.3/2.0
Rims	Race Face AR 35
Tires	Maxxis Minion DHF EXO+ Maxx Terra Tubeless Ready 29 x 2.6 Maxxis Rekon Maxx Terra EXO+ Silk Shield Tubeless Ready 29 x 2.6
Seatpost	Race Face Turbine R (by Fox) Dropper 30.9mm
Saddle	WTB Volt Race 142
Weight	-



Prezzo Instinct Powerplay C70 Shimano

€
7.799

INSTINCT POWERPLAY C50 SHIMANO

Frame	SMOOTHWALL™ Carbon. Full Sealed Cartridge Bearings. Press Fit BB. Internal Cable Routing. 2-Bolt ISCG05 Tabs. RIDE-9™ Adjustable Geometry + Suspension Rate. 140mm Travel
Drive System	Dyname 3.0 Drive 250w / 48v. iWoc TRIO Remote
Battery	Li-Ion 672 Watt/Hr
Remote	iWoc TRIO
Sizes	SM - MD - LG - XL
Fork	RockShox Pike Select RC 140mm E-MTB Approved 42mm Offset
Front Travel	140 mm
Shock	RockShox Deluxe Select+ RT
Rear Travel	140 mm
Headset	FSA Orbit NO.57E
Stem	Rocky Mountain 35 AM
Handlebar	Rocky Mountain AM 780mm
Grips	Rocky Mountain Lock On Light
Brakes	Shimano MT520 4 Piston
Brake levers	Shimano MT520 4 Piston
Shifters	Shimano SLX
Rear derailleur	Shimano SLX
Crankset	Race Face Ride Cinch 34T
Bottom bracket	Shimano SM-BBMT500
Cassette	Shimano SLX 10-51T
Chain	Shimano HG7100
Front hub	Rocky Mountain Sealed Boost 15mm Torque Cap
Rear hub	DT Swiss Hybrid 370 Boost 148mm
Spokes	DT Swiss Alpine 2.3/2.0
Rims	WTB ST i35 TCS 2.0 Tubeless
Tires	Maxxis Minion DHF EXO Tubeless Ready 29 x 2.6 Maxxis Rekon EXO+ Silk Shield Tubeless Ready 29 x 2.6
Seatpost	Race Face Aeffect R Dropper 30.9mm
Saddle	WTB Volt Race 142
Weight	-



Prezzo Instinct Powerplay C50 Shimano

€
6.699

INSTINCT POWERPLAY A70 SHIMANO

Frame	FORM™ Alloy. Full Sealed Cartridge Bearings. Press Fit BB. Internal Cable Routing. 2-Bolt ISCG05 Tabs. RIDE-9™ Adjustable Geometry + Suspension Rate. 150mm Travel
Drive System	Dyname 3.0 Drive 250w / 48v. iWoc TRIO Remote
Battery	Li-Ion 672 Watt/Hr
Remote	iWoc Trio
Sizes	SM - MD - LG - XL
Fork	RockShox Pike Select RC 140mm E-MTB Approved 42mm Offset
Front Travel	140 mm
Shock	RockShox Deluxe Select+ RT
Rear Travel	140 mm
Headset	FSA Orbit NO.57E
Stem	Rocky Mountain 35 AM
Handlebar	Rocky Mountain AM 780mm
Grips	Rocky Mountain Lock On Light
Brakes	Shimano XT 2 Piston / Shimano RT66 203mm / Shimano RT66 203mm
Brake levers	Shimano XT
Shifters	Shimano XT
Rear derailleur	Shimano XT
Crankset	Race Face Aeffect Cinch 34T
Bottom bracket	Shimano SM-BBMT500
Cassette	Shimano XT 10-51T
Chain	Shimano HG8100
Front hub	Rocky Mountain Sealed Boost 15mm
Rear hub	DT Swiss Hybrid 370 Boost 148mm
Spokes	DT Swiss Alpine 2.3/2.0
Rims	WTB ST i35 TCS 2.0 Tubeless
Tires	Maxxis Minion DHF EXO Tubeless Ready 29 x 2.6 Maxxis Rekon EXO+ Silk Shield Tubeless Ready 29 x 2.6
Seatpost	Rocky Mountain Toonie Drop 30.9mm
Saddle	WTB Volt Race 142
Weight	23,9 kg



Prezzo Instinct Powerplay A70 Shimano

€
6.199

INSTINCT POWERPLAY A50 SRAM

Frame	FORM™ Alloy. Full Sealed Cartridge Bearings. Press Fit BB. Internal Cable Routing. 2-Bolt ISCG05 Tabs. RIDE-9™ Adjustable Geometry + Suspension Rate. 140mm Travel
Drive System	Dyname 3.0 Drive 250w / 48v. iWoc TRIO Remote
Battery	Li-Ion 672 Watt/Hr
Remote	iWoc TRIO
Sizes	SM - MD - LG - XL
Fork	RockShox Pike Select RC 140mm E-MTB Approved 42mm Offset
Front Travel	140 mm
Shock	RockShox Deluxe Select+ RT
Rear Travel	140 mm
Headset	FSA Orbit NO.57E
Stem	Rocky Mountain AM
Handlebar	Rocky Mountain AM 760mm
Grips	Rocky Mountain Lock On Light
Brakes	Shimano MT520 4 Piston
Brake levers	Shimano MT520 4 Piston
Shifters	Sram NX-1E Eagle
Rear derailleur	Sram GX Eagle
Crankset	Race Face Ride Cinch 34T
Bottom bracket	Shimano SM-BBMT500
Cassette	Sram PG-1210 11-50T
Chain	Sram SX Eagle. E-MTB Approved
Front hub	Shimano MT400 Boost 15mm
Rear hub	Shimano MT400 Boost 148mm
Spokes	DT Swiss Champion 2.0
Rims	WTB ST i35 TCS 2.0 Tubeless
Tires	Maxxis Minion DHF EXO Tubeless Ready 29 x 2.6 Maxxis Rekon EXO+ Silk Shield Tubeless Ready 29 x 2.6
Seatpost	Race Face Aeffect R Dropper 30.9mm
Saddle	WTB Volt Race 142
Weight	24,2 kg



Prezzo Instinct Powerplay A50 Sram

€
5.699



INSTINCT POWERPLAY

INSTINCT POWERPLAY A30 SHIMANO

Frame	FORM™ Alloy. Full Sealed Cartridge Bearings. Press Fit BB. Internal Cable Routing. 2-Bolt ISCG05 Tabs. RIDE-9™ Adjustable Geometry + Suspension Rate. 140mm Travel
Drive System	Dynare 3.0 Drive 250w / 48v. iWoc TRIO Remote
Battery	Li-Ion 672 Watt/Hr
Remote	iWoc TRIO
Sizes	SM - MD - LG - XL
Fork	RockShox 35 Gold RL 140mm E-MTB Approved 44mm Offset
Front Travel	140 mm
Shock	RockShox Deluxe Select+ RT
Rear Travel	140 mm
Headset	FSA Orbit NO.57E
Stem	Rocky Mountain AM
Handlebar	Rocky Mountain AM 760mm
Grips	Rocky Mountain Lock On Light
Brakes	Shimano MT420 4 Piston / Shimano MT400
Brake levers	Shimano MT420 4 Piston
Shifters	Shimano Deore
Rear derailleur	Shimano Deore
Crankset	Race Face Ride Cinch 34T
Bottom bracket	Shimano SM-BBMT500
Cassette	SunRace CSMS2 11-46T
Chain	KMC X10-1
Front hub	Shimano MT400 Boost 15mm
Rear hub	Shimano MT400 Boost 148mm
Spokes	2.0 Stainless
Rims	WTB ST i35 TCS 2.0 Tubeless
Tires	Maxxis Minion DHF EXO Tubeless Ready 29 x 2.6 Maxxis Rekon EXO+ Silk Shield Tubeless Ready 29 x 2.6
Seatpost	Rocky Mountain Toonie Drop 30.9mm
Saddle	WTB Volt Race 142
Weight	24,3 kg



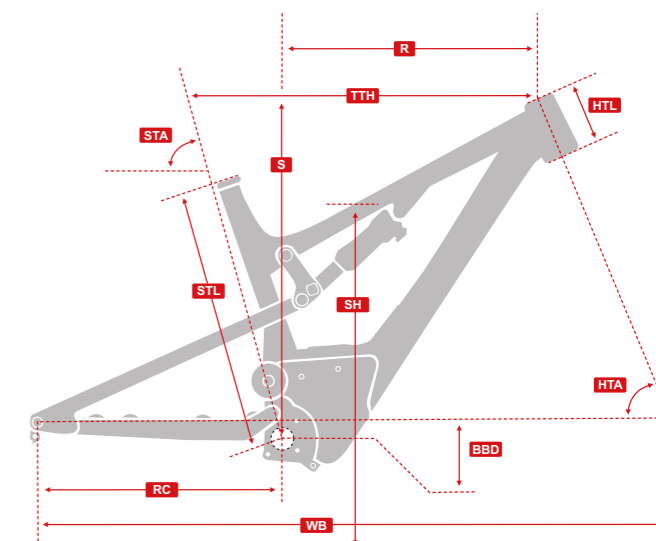
Prezzo Instinct Powerplay A30 Shimano

€
4.999



INSTINCT POWERPLAY A70 BC EDITION

Frame	FORM™ Alloy. Full Sealed Cartridge Bearings. Press Fit BB. Internal Cable Routing. 2-Bolt ISCG05 Tabs. 160mm Travel
Drive System	Dyname 3.0 Drive 250w / 48v. iWoc TRIO Remote
Battery	Li-Ion 672 Watt/Hr
Remote	iWoc TRIO
Sizes	SM - MD - LG - XL
Fork	Fox 36 E-MTB Float EVOL Grip Performance 160mm 44mm Offset
Front Travel	160 mm
Shock	Fox Float DPX2 Performance
Rear Travel	155 mm
Headset	FSA Orbit NO.57E
Stem	Rocky Mountain 35 AM
Handlebar	Rocky Mountain AM 780mm
Grips	Rocky Mountain Lock On Light
Brakes	Shimano XT Trail 4 Piston
Brake levers	Shimano XT Trail 4 Piston
Shifters	Shimano XT
Rear derailleur	Shimano XT
Crankset	Race Face Aeffect Cinch 34T
Bottom bracket	Shimano SM-BBMT500
Cassette	Shimano XT 10-51T
Chain	Shimano HG8100
Front hub	Rocky Mountain Sealed Boost 15mm
Rear hub	DT Swiss Hybrid 370 Boost 148mm
Spokes	DT Swiss Alpine 2.3/2.0
Rims	Race Face AR 30
Tires	Maxxis Minion DHF WT Double Down Maxx Grip 3C Tubeless Ready 29 x 2.5 / Maxxis Aggressor WT Double Down Tubeless Ready 29 x 2.5
Seatpost	Race Face Turbine R (by Fox) Dropper 30.9mm
Saddle	WTB Volt Race 142
Weight	-



	SM	MD	LG	XL
HTA Head Tube Angle (deg)	65,9°	65,9°	65,9°	65,9°
STA Seat Tube Angle (deg)	74,6°	74,6°	74,5°	74,5°
STL Seat Tube Length (mm)	394	432	470	508
TTH Top Tube Horizontal (mm)	573	597	624	654
HTL Head Tube Length (mm)	100	100	110	120
RC Rear Centre (mm)	442	442	442	442
BBD Bottom Bracket Drop (mm)	19	19	19	19
SH Standover Height (mm)	834	829	828	827
WB Wheelbase (mm)	1168	1194	1220	1252
R Reach (mm)	407	431	454	481
S Stack (mm)	607	612	621	630

Colore The Man in Black + Poison + Brass Monkey

Prezzo Instinct Powerplay A70 BC Edition

€
6.999



INSTINCT POWERPLAY

INSTINCT POWERPLAY A50 BC EDITION

Frame	FORM™ Alloy. Full Sealed Cartridge Bearings. Press Fit BB. Internal Cable Routing. 2-Bolt ISCG05 Tabs. 160mm Travel
Drive System	Dyname 3.0 Drive 250w / 48v. iWoc TRIO Remote
Battery	Li-Ion 672 Watt/Hr
Remote	iWoc Trio
Sizes	SM - MD - LG - XL
Fork	RockShox Yari RC 160mm 42mm Offset
Front Travel	160 mm
Shock	Fox Float DPX2 Performance
Rear Travel	155 mm
Headset	FSA Orbit NO.57E
Stem	Rocky Mountain 35 AM
Handlebar	Rocky Mountain AM 780mm
Grips	Rocky Mountain Lock On Light
Brakes	Shimano MT520 4 Piston
Brake levers	Shimano MT520 4 Piston
Shifters	Shimano SLX
Rear derailleur	Shimano SLX
Crankset	Race Face Ride Cinch 34T
Bottom bracket	Shimano SM-BBMT500
Cassette	Shimano SLX 10-51T
Chain	Shimano HG7100
Front hub	Shimano MT400 Boost 15mm
Rear hub	Shimano M510 Boost 148mm
Spokes	DT Swiss Champion 2.0
Rims	WTB ST i35 TCS 2.0 Tubeless
Tires	Maxxis Minion DHF WT Double Down Maxx Grip 3C Tubeless Ready 29 x 2.5 / Maxxis Aggressor WT Double Down Tubeless Ready 29 x 2.5
Seatpost	Rocky Mountain Toonie Drop 30.9mm
Saddle	WTB Volt Race 142
Weight	-



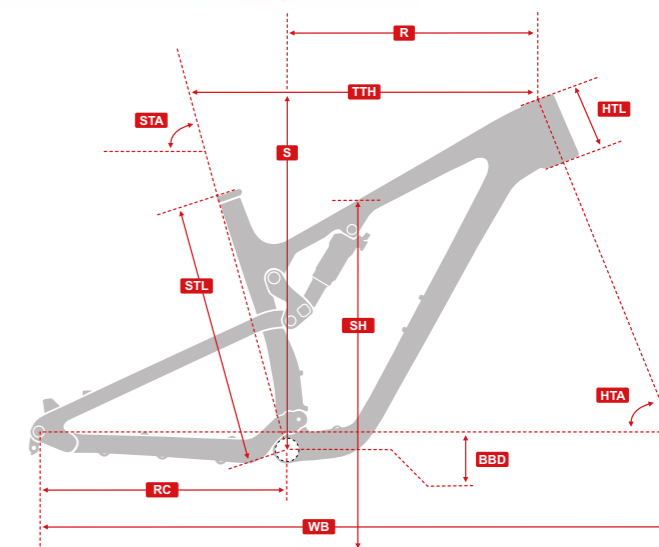
Prezzo Instinct Powerplay A50 BC Edition

€
5.799



ELEMENT C90

Frame	SMOOTHWALL™ Carbon. Full Sealed Cartridge Bearings. Press Fit BB. Internal Cable Routing. RIDE-9™ Adjustable Geometry + Suspension Rate. 100mm Travel.
Sizes	SM - MD - LG - XL - XXL
Fork	Fox 34 Step Cast Float Factory 120mm
Front Travel	120mm
Shock	Fox Float DPS Factory
Rear Travel	100mm
Headset	FSA Orbit NO.57E
Stem	Rocky Mountain 35 CNC
Handlebar	Race Face Next 760mm
Grips	Rocky Mountain Lock On XC
Brakes	Shimano XTR
Brake levers	Shimano XTR
Shifters	Shimano XTR
Rear derailleur	Shimano XTR
Crankset	Race Face Next SL Cinch 32T
Bottom bracket	Race Face BB92 30mm
Cassette	Shimano XTR 12s 10-51T
Chain	Shimano XTR 12s
Front hub	Rocky Mountain Sealed Boost 15mm
Rear hub	DT Swiss 350 Boost 148mm
Spokes	DT Swiss Competition 2.0/1.8/2.0
Rims	Race Face ARC 30
Tires	Maxxis Ikon Maxx Speed 3C Tubeless Ready 29 x 2.35 Maxxis Ikon Maxx Speed 3C Tubeless Ready 29 x 2.35
Seatpost	Fox Transfer Factory Series 30.9mm
Saddle	WTB Silverado Race 142
Weight	-



	SM	MD	LG	XL	XXL
TTH Top Tube Horizontal (mm)	566	591	616	646	666
HTA Head Tube Angle (deg)	69,2°	69,2°	69,2°	69,2°	69,2°
HTL Head Tube Length (mm)	93	103	118	128	143
STA Seat Tube Angle (deg)	74,7°	74,7°	74,7°	74,7°	74,7°
STL Seat Tube Length (mm)	394	432	470	508	546
RC Rear Centre (mm)	438	438	438	438	438
BBD Bottom Bracket Drop (mm)	38	38	38	38	38
R Reach (mm)	401	424	445	472	489
S Stack (mm)	602	611	625	635	649
SH Standover Height (mm)	823	821	822	820	821
WB Wheelbase (mm)	1109	1135	1161	1192	1214

Colore	Man in Black + Fox Racing Orange
Prezzo telaio	€ 3.499
Prezzo Element C90	€ 8.399



ELEMENT

ELEMENT C70 XCO

Frame	SMOOTHWALL™ Carbon. Full Sealed Cartridge Bearings. Press Fit BB. Internal Cable Routing. RIDE-9™ Adjustable Geometry + Suspension Rate. 100mm Travel.
Sizes	SM - MD - LG - XL
Fork	Fox 32 Step Cast Performance 100mm
Front Travel	100mm
Shock	Fox Float DPX2 Performance
Rear Travel	100mm
Headset	FSA Orbit NO.57E Extend-o-matic
Stem	Rocky Mountain AM
Handlebar	Rocky Mountain Flat Top 760mm
Grips	Rocky Mountain Lock On XC
Brakes	Shimano XT
Brake levers	Shimano XT
Shifters	Shimano XT
Rear derailleur	Shimano XTR
Crankset	Race Face Next SL Cinch 32T Steel
Bottom bracket	Race Face BB92 30mm
Cassette	Shimano XT 10-51T
Chain	Shimano HG8100
Front hub	Rocky Mountain Sealed Boost 15mm
Rear hub	DT Swiss 370 Boost 148mm
Spokes	DT Swiss Competition 1.8/1.6/1.8
Rims	Rocky Mountain 24XC Carbon Tubeless Ready
Tires	Maxxis Rekon Maxx Speed 3C Tubeless Ready 29 x 2.25 Maxxis Rekon Race Dual Compound Tubeless Ready 29 x 2.25
Seatpost	Rocky Mountain Carbon SL 30.9mm
Saddle	WTB Silverado Race 142
Weight	-



Prezzo Element C70 XCO

€ 6.999

ELEMENT C50

Frame	SMOOTHWALL™ Carbon. Full Sealed Cartridge Bearings. Press Fit BB. Internal Cable Routing. RIDE-9™ Adjustable Geometry + Suspension Rate. 100mm Travel
Sizes	SM - MD - LG - XL - XXL
Fork	Fox 34 Step Cast Float Performance 120mm
Front Travel	120mm
Shock	Fox Float DPS Performance
Rear Travel	100mm
Headset	FSA Orbit NO.57E
Stem	Rocky Mountain AM
Handlebar	Rocky Mountain Flat Top 760mm
Grips	Rocky Mountain Lock On XC
Brakes	Shimano SLX
Brake levers	Shimano SLX
Shifters	Shimano SLX
Rear derailleur	Shimano XT
Crankset	Race Face Aeffect Cinch 32T Steel
Bottom bracket	Shimano SM-BBMT500
Cassette	Shimano SLX 10-51T
Chain	Shimano HG7100
Front hub	Rocky Mountain Sealed Boost 15mm
Rear hub	DT Swiss 370 Boost 148mm
Spokes	DT Swiss Competition 2.0/1.8/2.0
Rims	WTB ST Light i25 TCS 2.0 Tubeless
Tires	Maxxis Ikon Tubeless Ready 29 x 2.35 Maxxis Ikon Tubeless Ready 29 x 2.35
Seatpost	Race Face Aeffect R Dropper 30.9mm
Saddle	WTB Silverado Race 142
Weight	-



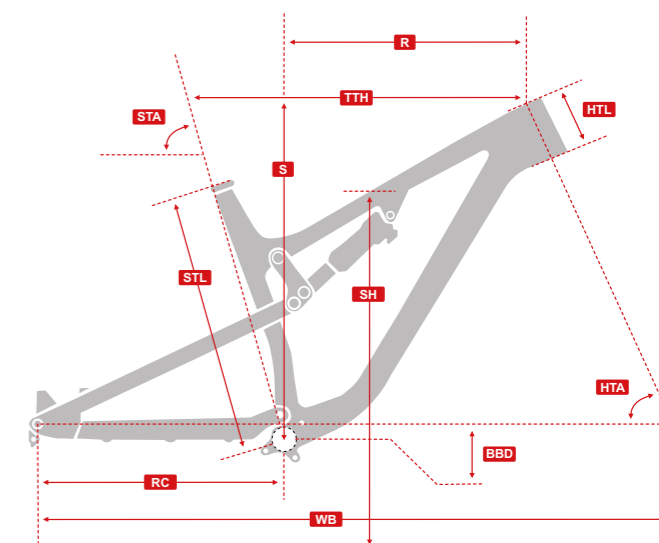
Prezzo Element C50

€ 4.699



INSTINCT C90 BC EDITION

Frame	SMOOTHWALL™ Carbon. Full Sealed Cartridge Bearings. Press Fit BB. Internal Cable Routing. 155mm Travel.
Sizes	SM - MD - LG - XL
Fork	Fox 36 Float EVOL GRIP2 Factory 29: 170mm 44mm Offset / 27.5: 180mm 37mm Offset
Front Travel	160mm
Shock	Fox DHX2 Factory, 2-Position Lockout, SLS Spring, MD = 400 lb / LG = 450 lb / XL = 500 lb
Rear Travel	155mm
Headset	FSA Orbit NO.57E
Stem	Rocky Mountain 35 CNC
Handlebar	Race Face Next R 780mm
Grips	Rocky Mountain Lock On XC
Brakes	Sram Code RSC
Brake levers	Sram Code RSC
Shifters	Sram X01 Eagle
Rear derailleur	Sram X01 Eagle
Crankset	Sram X1 Carbon Eagle 32T
Bottom bracket	Sram BB92 DUB
Cassette	Sram XG-1295 10-50T
Chain	Sram X01 Eagle
Front hub	Rocky Mountain Sealed Boost 15mm
Rear hub	DT Swiss 350 Boost 148mm
Spokes	DT Swiss Competition 2.0/1.8/2.0
Rims	Race Face ARC 30
Tires	Maxxis Minion DHF WT Maxx Terra 3C Tubeless Ready 29 x 2.5 / Maxxis Aggressor WT EXO Tubeless Ready 29 x 2.5
Seatpost	Race Face Turbine R (by Fox) Dropper 30.9mm
Saddle	WTB Volt Race 142
Weight	-



	SM	MD	LG	XL
TTH Top Tube Horizontal (mm)	577	602	627	657
HTA Head Tube Angle (deg)	65,9°	65,9°	65,9°	65,9°
HTL Head Tube Length (mm)	95	100	110	120
STA Seat Tube Angle (deg)	74,4°	74,4°	74,4°	74,4°
STL Seat Tube Length (mm)	392	432	470	508
RC Rear Centre (mm)	435	435	435	435
BBD Bottom Bracket Drop (mm)	19	19	19	19
R Reach (mm)	407	431	454	481
S Stack (mm)	607	612	621	630
SH Standover Height (mm)	834	829	828	827
WB Wheelbase (mm)	1161	1187	1213	1245

Colore Man in Black + Nevermind + Brass Monkey

Prezzo telaio

€ 3.699

Prezzo Instinct C90 BC Edition

€ 8.699

INSTINCT C70 BC EDITION

Frame	SMOOTHWALL™ Carbon. Full Sealed Cartridge Bearings. Press Fit BB. Internal Cable Routing. 155mm Travel.
Sizes	SM - MD - LG - XL
Fork	Fox 36 Float EVOL GRIP2 Performance Elite 160mm 44mm Offset
Front Travel	160mm
Shock	Fox Float DPX2 Performance
Rear Travel	155mm
Headset	FSA Orbit NO.57E
Stem	Rocky Mountain 35 AM
Handlebar	Race Face Turbine R 780mm
Grips	Rocky Mountain Lock On XC
Brakes	Shimano XT Trail 4 Piston
Brake levers	Shimano XT Trail
Shifters	Shimano XT
Rear derailleur	Shimano XT
Crankset	Race Face Turbine Cinch 32T
Bottom bracket	Race Face BB92 30mm
Cassette	Shimano XT 10-51T
Chain	Shimano HG8100
Front hub	Rocky Mountain Sealed Boost 15mm
Rear hub	DT Swiss 370 Boost 148mm
Spokes	DT Swiss Competition 2.0/1.8/2.0
Rims	Race Face ARC 30
Tires	Maxxis Minion DHF WT Double Down Maxx Grip 3C Tubeless Ready 2.5 / Maxxis Aggressor WT Double Down Tubeless Ready 2.5
Seatpost	Race Face Turbine R (by Fox) Dropper 30.9mm
Saddle	WTB Volt Race 142
Weight	-



Prezzo Instinct C70 BC Edition

€ 6.599

INSTINCT A70 BC EDITION

Frame	FORM™ Alloy. Full Sealed Cartridge Bearings. Press Fit BB. Internal Cable Routing. 2-Bolt ISCG05 Tabs. 155mm Travel.
Sizes	SM - MD - LG - XL
Fork	Fox 36 Float EVOL GRIP2 Factory 160mm 44mm Offset
Front Travel	160 mm
Shock	Fox Float DPX2 EVOL Factory
Rear Travel	155mm
Headset	FSA Orbit NO.57E
Stem	Rocky Mountain 35 AM
Handlebar	Rocky Mountain AM 780mm
Grips	Rocky Mountain Lock On Light
Brakes	Shimano XT Trail 4 Piston
Brake levers	Shimano XT Trail
Shifters	Shimano XT
Rear derailleur	Shimano XT
Crankset	Race Face Aeffect Cinch 32T Steel
Bottom bracket	Shimano SM-BBMT500
Cassette	Shimano XT 10-51T
Chain	Shimano HG7100
Front hub	Rocky Mountain Sealed Boost 15mm
Rear hub	DT Swiss 370 Boost 148mm
Spokes	DT Swiss Competition 2.0/1.8/2.0
Rims	Race Face AR 30
Tires	Maxxis Minion DHF WT Maxx Terra 3C Tubeless Ready 29 x 2.5 / Maxxis Aggressor WT EXO Tubeless Ready 29 x 2.5
Seatpost	OneUp Dropper Post 30.9mm
Saddle	WTB Volt Race 142
Weight	-



Prezzo Instinct A70 BC Edition

€ 5.299

INSTINCT A50 BC EDITION

Frame	FORM™ Alloy. Full Sealed Cartridge Bearings. Press Fit BB. Internal Cable Routing. 2-Bolt ISCG05 Tabs. 155mm Travel.
Sizes	SM - MD - LG - XL
Fork	Fox 36 Float Grip Performance 160mm 44mm Offset
Front Travel	160 mm
Shock	Fox Float DPX2 Performance
Rear Travel	155mm
Headset	FSA Orbit NO.57E
Stem	Rocky Mountain 35 AM
Handlebar	Rocky Mountain AM 780mm
Grips	Rocky Mountain Lock On Light
Brakes	Sram Guide RE
Brake levers	Sram Guide RE
Shifters	Sram GX Eagle
Rear derailleur	Sram GX Eagle
Crankset	Sram Descendent 6k Eagle 32T
Bottom bracket	Sram BB92 DUB
Cassette	Sram PG-1230 11-50T
Chain	Sram NX Eagle
Front hub	Rocky Mountain Sealed Boost 15mm
Rear hub	DT Swiss 370 Boost 148mm
Spokes	DT Swiss Competition 2.0/1.8/2.0
Rims	Race Face AR 30
Tires	Maxxis Minion DHF WT EXO Tubeless Ready 29 x 2.5 / Maxxis Aggressor WT EXO Tubeless Ready 29 x 2.5
Seatpost	Race Face Turbine R (by Fox) Dropper 30.9mm
Saddle	WTB Volt Race 142
Weight	-



Prezzo Instinct A50 BC Edition

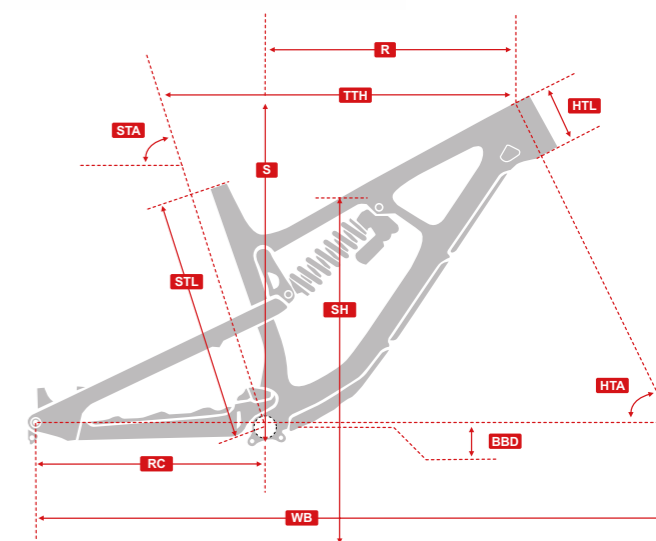
€ 4.499





SLAYER C90

Frame	SMOOTHWALL Carbon Front Triangle. FORM Alloy Rear Triangle. Full Sealed Cartridge Bearings. Press Fit BB. Internal Cable Routing. RIDE-4 Adjustable Geometry.
Sizes	MD - LG - XL
Fork	Fox 36 Float EVOL GRIP2 Factory 29: 170mm 44mm Offset / 27.5: 180mm 37mm Offset
Front Travel	170mm. (200mm Dual Crown Compatible)
Shock	Fox DHX2 Factory, 2-Position Lockout, SLS Spring, MD = 400 lb / LG = 450 lb / XL = 500 lb
Rear Travel	170mm
Headset	FSA Orbit NO.57E
Stem	Rocky Mountain 35 CNC
Handlebar	Race Face SixC 820mm
Grips	Rocky Mountain Lock On XC
Brakes	Sram GX Eagle
Brake levers	Shimano XTR Trail 4 Piston
Shifters	Shimano XTR
Rear derailleur	Shimano XTR
Crankset	Race Face Next R Cinch 29: 32T / 27.5: 34T
Bottom bracket	Race Face BB92 30mm
Cassette	Shimano XTR 12s 10-51T
Chain	Shimano XTR 12s
Front hub	Rocky Mountain Sealed Boost 15mm
Rear hub	DT Swiss 350 Boost 148mm
Spokes	DT Swiss Champion 2.0
Rims	Race Face ARC 30
Tires	Maxxis Minion DHF WT Double Down Maxx Grip 3C Tubeless Ready 2.5 / Maxxis Aggressor WT Double Down Tubeless Ready 2.5
Seatpost	Race Face Turbine R (by Fox) Dropper 30.9mm
Saddle	WTB Volt Race 142
Weight	14,95 kg



	MD	LG	XL
TTH Top Tube Horizontal (mm)	600	628	657
HTA Head Tube Angle (deg)	63,8°	63,8°	63,8°
HTL Head Tube Length (mm)	95	110	125
STA Seat Tube Angle (deg)	75,8°	75,8°	75,8°
STL Seat Tube Length (mm)	420	445	480
RC Rear Centre (mm)	443	443	443
BBD Bottom Bracket Drop (mm)	34	34	34
R Reach (mm)	442	469	492
S Stack (mm)	622	635	649
SH Standover Height (mm)	830	830	830
WB Wheelbase (mm)	1220	1249	1286

Colore Man in Black + Heartbreaker + Brass Monkey

Prezzo telaio

€ 3.999

Prezzo Slyer C90 29"

€ 9.499

SLAYER 29

SLAYER C70

Frame	SMOOTHWALL Carbon Front Triangle. FORM Alloy Rear Triangle. Full Sealed Cartridge Bearings. Press Fit BB. Internal Cable Routing. RIDE-4 Adjustable Geometry.
Sizes	MD - LG - XL
Fork	RockShox Lyrik Ultimate RC2 29: 170mm 42mm Offset / 27.5: 180mm 37mm Offset
Front Travel	170mm. (200mm Dual Crown Compatible)
Shock	RockShox Super Deluxe Coil Ultimate RCT, MD = 400 lb / LG = 450 lb / XL = 500 lb
Rear Travel	170mm
Headset	FSA Orbit NO.57E
Stem	Rocky Mountain 35 AM
Handlebar	Race Face Atlas 820mm
Grips	Rocky Mountain Lock On XC
Brakes	Shimano XT Trail 4 Piston / Shimano RT66 203mm / Shimano RT66 203mm
Brake levers	Shimano XT Trail 4 Piston
Shifters	Shimano XT
Rear derailleur	Shimano XT
Crankset	Race Face Turbine Cinch 29: 32T / 27.5: 34T
Bottom bracket	Race Face BB92 30mm
Cassette	Shimano XT 10-51T
Chain	Shimano HG8100
Front hub	Rocky Mountain Sealed Boost 15mm
Rear hub	DT Swiss 350 Boost 148mm
Spokes	DT Swiss Champion 2.0
Rims	Race Face ARC 30
Tires	Maxxis Minion DHF WT Double Down Maxx Grip 3C Tubeless Ready 2.5 / Maxxis Aggressor WT Double Down Tubeless Ready 2.5
Seatpost	OneUp Dropper Post 30.9mm
Saddle	WTB Volt Race 142
Weight	14,5 kg



Prezzo Slyer C70 29"

€ 6.999

SLAYER C50

Frame	SMOOTHWALL Carbon Front Triangle. FORM Alloy Rear Triangle. Full Sealed Cartridge Bearings. Press Fit BB. Internal Cable Routing. RIDE-4 Adjustable Geometry.
Sizes	MD - LG - XL
Fork	RockShox Lyrik Select RC 29: 170mm 42mm Offset / 27.5: 180mm 37mm Offset
Front Travel	170mm. (200mm Dual Crown Compatible)
Shock	RockShox Super Deluxe Coil Ultimate RCT, MD = 400 lb / LG = 450 lb / XL = 500 lb
Rear Travel	170mm
Headset	FSA Orbit NO.57E
Stem	Rocky Mountain 35 AM
Handlebar	Rocky Mountain AM 780mm
Grips	Rocky Mountain Lock On XC
Brakes	Shimano SLX Trail 4 Piston / Shimano RT66 203mm / Shimano RT66 203mm
Brake levers	Shimano SLX Trail 4 Piston
Shifters	Shimano SLX
Rear derailleur	Shimano XT
Crankset	Race Face Aeffect Cinch 32T Steel
Bottom bracket	Shimano SM-BBMT500
Cassette	Shimano SLX 10-51T
Chain	Shimano HG7100
Front hub	Rocky Mountain Sealed Boost 15mm Torque Cap
Rear hub	DT Swiss 370 Boost 148mm
Spokes	DT Swiss Champion 2.0
Rims	WTB ST i30 TCS 2.0 Tubeless
Tires	Maxxis Minion DHF WT Double Down Maxx Grip 3C Tubeless Ready 29 x 2.5 / Maxxis Aggressor WT Double Down Tubeless Ready 29 x 2.5
Seatpost	OneUp Dropper Post 30.9mm
Saddle	WTB Volt Race 142
Weight	15,44 kg



Prezzo Slyer C50 29"

€ 5.699

SLAYER A50

Frame	FORM Alloy. Full Sealed Cartridge Bearings. Press Fit BB. Internal Cable Routing. 2-Bolt ISCG05 Tabs. RIDE-4 Adjustable Geometry.
Sizes	MD - LG - XL
Fork	RockShox Lyrik Select RC 29: 170mm 42mm Offset / 27.5: 180mm 37mm Offset
Front Travel	170mm. (200mm Dual Crown Compatible)
Shock	RockShox Super Deluxe Coil Ultimate RCT, MD = 400 lb / LG = 450 lb / XL = 500 lb
Rear Travel	170mm
Headset	FSA Orbit NO.57E
Stem	Rocky Mountain 35 AM
Handlebar	Rocky Mountain AM 780mm
Grips	Rocky Mountain Lock On XC
Brakes	Shimano SLX Trail 4 Piston / Shimano RT66 203mm / Shimano RT66 203mm
Brake levers	Shimano SLX Trail 4 Piston
Shifters	Shimano SLX
Rear derailleur	Shimano XT
Crankset	Race Face Aeffect Cinch 29: 32T / 27.5: 34T
Bottom bracket	Shimano SM-BBMT500
Cassette	Shimano SLX 10-51T
Chain	Shimano HG7100
Front hub	Rocky Mountain Sealed Boost 15mm Torque Cap
Rear hub	DT Swiss 370 Boost 148mm
Spokes	DT Swiss Champion 2.0
Rims	WTB ST i30 TCS 2.0 Tubeless
Tires	Maxxis Minion DHF WT Double Down Maxx Grip 3C Tubeless Ready 2.5 / Maxxis Aggressor WT Double Down Tubeless Ready 2.5
Seatpost	Race Face Aeffect R Dropper 30.9mm
Saddle	WTB Volt Race 142
Weight	16,83 kg



Prezzo Slyer A50 29"

€ 4.499

SLAYER A30

Frame	FORM Alloy. Full Sealed Cartridge Bearings. Press Fit BB. Internal Cable Routing. 2-Bolt ISCG05 Tabs. RIDE-4 Adjustable Geometry.
Sizes	MD - LG - XL
Fork	RockShox Yari RC 29: 170mm 42mm Offset / 27.5: 180mm 37mm Offset
Front Travel	170mm. (200mm Dual Crown Compatible)
Shock	RockShox Super Deluxe Coil Select, MD = 400 lb / LG = 450 lb / XL = 500 lb,
Rear Travel	170mm
Headset	FSA Orbit NO.57E
Stem	Rocky Mountain 35 AM
Handlebar	Rocky Mountain AM 780mm
Grips	Rocky Mountain Lock On XC
Brakes	Shimano MT520 4 Piston / Shimano RT64 203mm / Shimano RT64 203mm
Brake levers	Shimano MT520 4 Piston
Shifters	Sram SX Eagle
Rear derailleur	Sram SX Eagle
Crankset	Sram SX Eagle 29: 32T / 27.5: 34T
Bottom bracket	Sram BB92 DUB
Cassette	Sram PG-1210 11-50T
Chain	Sram SX Eagle
Front hub	Shimano MT400 Boost 15mm
Rear hub	Shimano MT400 Boost 148mm
Spokes	2.0 Stainless
Rims	WTB ST i30 TCS 2.0 Tubeless
Tires	Maxxis Minion DHF WT Double Down Maxx Grip 3C Tubeless Ready 2.5 / Maxxis Aggressor WT Double Down Tubeless Ready 2.5
Seatpost	Rocky Mountain Toonie Drop 30.9mm
Saddle	WTB Volt Race 142
Weight	17,25 kg



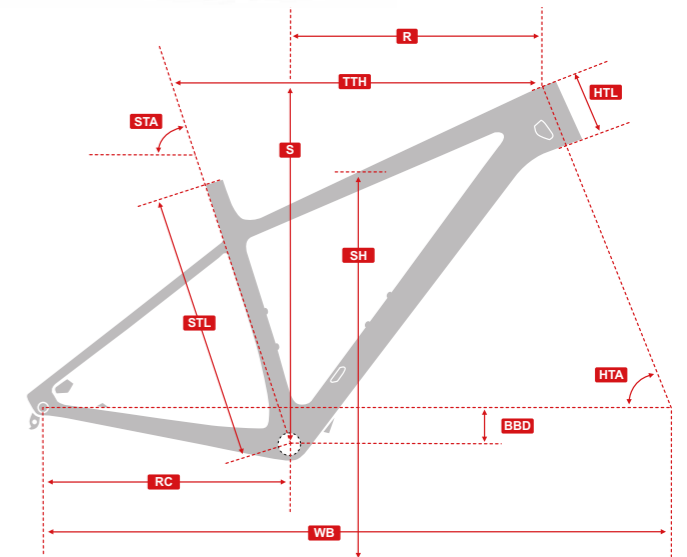
Prezzo Slayer A30 29"

€ 3.599



VERTEX C90

Frame	SMOOTHWALL Carbon Super Hi Mod. Press Fit BB. Internal Cable Routing. 27.2mm Dropper Post Compatible
Sizes	SM - MD - LG - XL
Fork	RockShox Sid Ultimate RLC Remote 100mm
Front Travel	100 mm
Headset	FSA Orbit NO.57E
Stem	Rocky Mountain 35 CNC
Handlebar	Race Face Next 760mm
Grips	Rocky Mountain Lock On XC
Brakes	Sram Level TLM / Sram Centerline 180mm / Sram Centerline 180mm
Brake levers	Sram Level TLM
Shifters	Sram X01 Eagle
Rear derailleur	Sram X01 Eagle
Crankset	Sram X1 Carbon Eagle 32T
Bottom bracket	Sram BB92 DUB
Cassette	Sram XG-1295 10-50T
Chain	Sram X01 Eagle
Front hub	Rocky Mountain Sealed Boost 15mm Torque Cap
Rear hub	DT Swiss 350 Boost 148mm
Spokes	DT Swiss Competition 1.8/1.6/1.8
Rims	Race Face ARC 25
Tires	Schwalbe Racing Ray 29 x 2.25 Evo Snakeskin / Schwalbe Racing Ralph 29 x 2.25 Evo Snakeskin
Seatpost	Rocky Mountain Carbon SL 27.2mm
Saddle	WTB Silverado Race 142
Weight	9,89 kg



	SM	MD	LG	XL
TTH Top Tube Horizontal (mm)	575	600	625	650
HTA Head Tube Angle (deg)	69,5°	69,5°	69,5°	69,5°
HTL Head Tube Length (mm)	90	95	110	125
STA Seat Tube Angle (deg)	73,5°	73,5°	73,5°	73,5°
STL Seat Tube Length (mm)	394	432	470	508
RC Rear Centre (mm)	430	430	430	430
BBD Bottom Bracket Drop (mm)	60	60	60	60
R Reach (mm)	390,9	414,5	435,2	455,9
S Stack (mm)	602,2	606,86	620,9	634,96
SH Standover Height (mm)	826	826	826	826
WB Wheelbase (mm)	1076	1101	1127	1153

Colore Man in Black / Heartbreaker

Prezzo telaio

€ 1.999

Prezzo Vertex C90

€ 5.699



VERTEX CARBON

VERTEX C70

Frame	SMOOTHWALL Carbon. Press Fit BB. Internal Cable Routing. 27.2mm Dropper Post Compatible
Sizes	SM - MD - LG - XL
Fork	Fox 32 Step Cast Performance 100mm
Front Travel	100 mm
Headset	FSA Orbit NO.57E
Stem	Rocky Mountain AM
Handlebar	Rocky Mountain Flat Top 760mm
Grips	Rocky Mountain Lock On Light
Brakes	Shimano XT 2 Piston / Shimano RT66 180mm / Shimano RT66 180mm
Brake levers	Shimano XT
Shifters	Shimano XT
Rear derailleur	Shimano XT
Crankset	Race Face Aeffect Cinch 32T
Bottom bracket	Shimano SM-BB71
Cassette	Shimano XT 10-51T
Chain	Shimano HG8100
Front hub	Rocky Mountain Sealed Boost 15mm
Rear hub	DT Swiss 370 Boost 148mm
Spokes	DT Swiss Competition 1.8/1.6/1.8
Rims	WTB ST Light i25 TCS 2.0 Tubeless
Tires	Schwalbe Racing Ray 29 x 2.25 Evo Snakeskin / Schwalbe Racing Ralph 29 x 2.25 Evo Snakeskin
Seatpost	Rocky Mountain SL 27.2mm
Saddle	WTB Silverado Race 142
Weight	10,2 kg

VERTEX C50

Frame	SMOOTHWALL™ Carbon. Press Fit BB. Internal Cable Routing. 27.2mm Dropper Post Compatible
Sizes	SM - MD - LG - XL
Fork	RockShox Reba RL 100mm
Front Travel	100 mm
Headset	FSA Orbit NO.57E
Stem	Rocky Mountain AM
Handlebar	Rocky Mountain Flat Top 760mm
Grips	Rocky Mountain Lock On Light
Brakes	Shimano SLX
Brake levers	Shimano SLX
Shifters	Shimano XT
Rear derailleur	Shimano XT
Crankset	Race Face Ride Cinch 32T Steel
Bottom bracket	Shimano SM-BBMT500
Cassette	Shimano SLX 10-51T
Chain	Shimano HG7100
Front hub	Rocky Mountain Sealed Boost 15mm Torque Cap
Rear hub	DT Swiss 370 Boost 148mm
Spokes	DT Swiss Competition 2.0/1.8/2.0
Rims	WTB ST Light i25 TCS 2.0 Tubeless
Tires	Schwalbe Racing Ray 29 x 2.25 Performance Folding / Schwalbe Racing Ralph 29 x 2.25 Performance Folding
Seatpost	Rocky Mountain SL 27.2mm
Saddle	WTB Silverado Race 142
Weight	10,6 kg



Prezzo Vertex C70

€ 3.799



Prezzo Vertex C50

€ 3.299

YETI

C Y C L E S

"Race driven since 1985"

E siccome parliamo di Yeti Cycles,
potremmo anche chiuderla qui.

Potremmo anche solo dire che una Yeti
è magnifica perché è una Yeti.

Ma occorre spiegarlo a chi la storia della Mtb
non la conosce e non ha avuto la fortuna di
vederla evolversi nel corso degli ultimi 30
e passa anni.

Yeti è quella icona al quale tutti i marchi di
Mtb si ispirano, perché riconoscono al brand
di Golden, Colorado, un'autenticità superiore.
La scritta "Race driven since 1985" sul
telaio significa che le Yeti sono pensate,
costruite e vendute per andare veloce.

La sospensione Switch Infinity, la struttura
del telaio, la taratura dell'ammortizzatore e
la geometria rendono l'esperienza in sella
ad una Yeti un appagamento senza fine.

Lontano dalle mode. Lontano dai trend.
Lontano dallo stress dei model year.

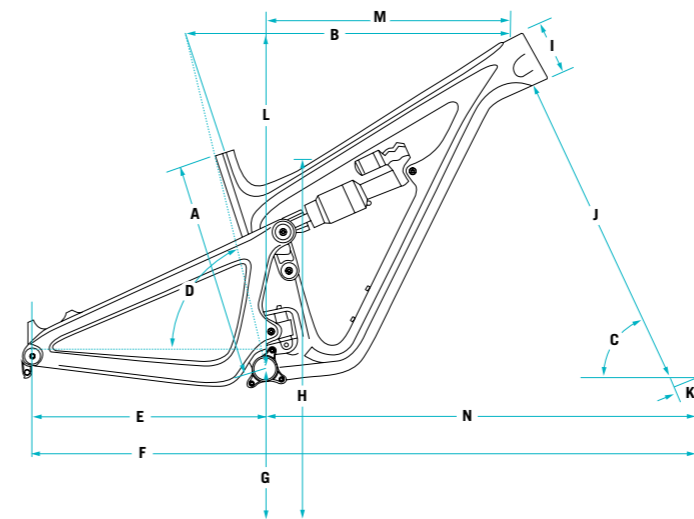
E se un occhio distratto potrebbe dire che
le Yeti si somigliano tutte fra di loro
è perché le Yeti sono tutte iconiche.



dsb

SEMPLICEMENTE BICI

2020



Fox 36 180mm (mm)	S	M	L	XL
A Seat Tube Length	380	410	450	495
B Top Tube Length	567	598,5	621,5	649,4
C Head Tube Angle	63,5°	63,5°	63,5°	63,5°
D Seat Tube Angle, Effective	77°	77°	77°	76,9°
E Chainstay Length	433	433	433	433
F Wheelbase	1197,7	1230,2	1255,2	1585,2
G Estimated BB Height	344,9	344,9	344,9	344,9
H Standover	710,4	716,3	723,4	746,7
I Headtube Length	104,8	110,4	121,6	132,8
J Axle to Crown	569,1	569,1	569,1	569,1
K Offset	37,5	37,5	37,5	37,5
L Stack	594,9	599,9	609,9	619,9
M Reach	430,1	460,1	480,1	505,1
N Front Center	764,7	797,2	822,2	852,2



Colore Touquoise / Raw

Prezzo telaio

€ 4.499

SB 165 TURQ SERIES - T1

Frame	SB165 Turq Series 165mm rear travel
Sizes	S / M / L / XL
Wheels size	27.5"
Rear shock	Fox Factory DHX2 2 pos lever 230 x 65mm
Fork	Fox Factory Grip 2 36/180mm
Wheelset	DT Swiss Custom EX1700 30mm
Rear Der	Shimano XT
Shift	Shimano XT
Crankset	Shimano XT 30T
BB	Shimano BB92
Cassette	Shimano XT
Chain	Shimano XT
Brakes	Shimano XT 4 piston
Rotor front/rear	Shimano 203 / 203
Post	Fox Transfer
Front tire	Maxxis Minion DHF 2.5 Exo+
Rear tire	Maxxis Minion DHR II 2.4 Exo+
Headset	Cane Creek 40 Integrated
Handlebar	Yeti Carbon 35x800mm
Stem	Race Face Turbine Basic 35x50mm
Grips	Odi Elite Pro
Saddle	WBT Volt Custom
Bash guard	Oneup Bash Guide
Upgrade+	DT Swiss XMC 1200 30mm
Upgrade+	-

Prezzo Kit T1

€ 8.299

Prezzo Kit T1 + ruote Carbon

€ 9.799

SB 165 TURQ SERIES - T2

Frame	SB165 Turq Series 165mm rear travel
Sizes	S / M / L / XL
Wheels size	27.5"
Rear shock	Fox Factory DHX2 2 pos lever 230 x 65mm
Fork	Fox Factory Grip 2 36/180mm
Wheelset	DT Swiss Custom EX1700 30mm
Rear Der	Sram X01 Eagle
Shift	Sram X01 Eagle
Crankset	Sram X1 Eagle 30T
BB	Sram DUB BB92
Cassette	Sram X01 Eagle 1295 10-50
Chain	Sram GX Eagle
Brakes	Sram Code RSC
Rotor front/rear	Sram Centerline 200 / 200
Post	Fox Transfer
Front tire	Maxxis Minion DHF 2.5 Exo+
Rear tire	Maxxis Minion DHR II 2.4 Exo+
Headset	Cane Creek 40 Integrated
Handlebar	Yeti Carbon 35x800mm
Stem	Race Face Turbine Basic 35x50mm
Grips	Odi Elite Pro
Saddle	WBT Volt Custom
Bash guard	Oneup Bash Guide
Upgrade+	DT Swiss XMC 1200 30mm
Upgrade+	AXS

Prezzo Kit T2

€ 8.699

Prezzo Kit T2 + ruote Carbon

€ 9.999

SB 165 TURQ SERIES - T3

Frame	SB165 Turq Series 165mm rear travel
Sizes	S / M / L / XL
Wheels size	27.5"
Rear shock	Fox Factory DHX2 2 pos lever 230 x 65mm SLS Spring
Fork	Fox Factory Grip 2 36/180mm
Wheelset	DT Swiss Custom EX1700 30mm
Rear Der	Sram XX1 Eagle
Shift	Sram XX1 Eagle
Crankset	Sram XX1 Eagle 30T
BB	Sram DUB BB92
Cassette	Sram XX1 Eagle 1299 10-50
Chain	Sram XX1 Eagle
Brakes	Sram Code RSC
Rotor front/rear	Sram Centerline 200 / 200
Post	Fox Transfer Factory
Front tire	Maxxis Minion DHF 2.5 Exo+
Rear tire	Maxxis Minion DHR II 2.4 Exo+
Headset	Cane Creek 40 Integrated
Handlebar	Yeti Carbon 35x800mm
Stem	Race Face Turbine 35x50mm
Grips	Odi Elite Pro
Saddle	WBT Volt Custom
Bash guard	Oneup Bash Guide
Upgrade+	DT Swiss XMC 1200 30mm
Upgrade+	AXS

Prezzo Kit T3

€ 9.699

Prezzo Kit T3 + ruote Carbon

€ 10.999

SB 165 CARBON SERIES - C1 / C2

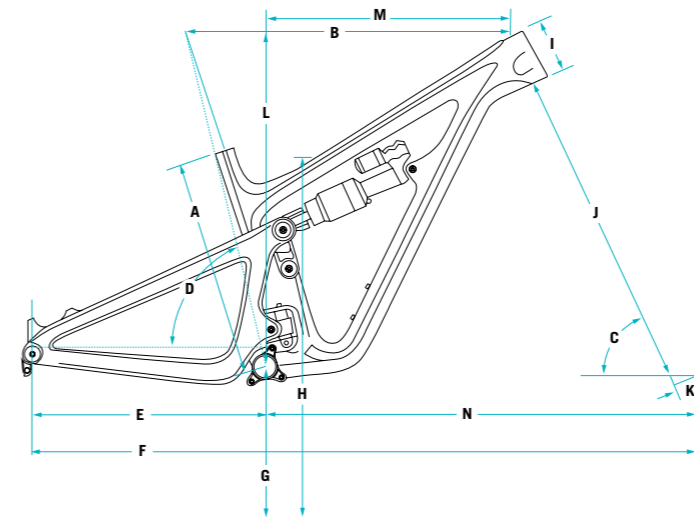
Frame	SB165 Carbon Series 165mm rear travel
Sizes	S / M / L / XL
Wheels size	27.5"
Rear shock	Fox Performance Vanilla 230 x 65mm
Fork	Fox Performance 36/180mm
Wheelset	DT Swiss Custom E1900 30mm / DT Swiss Custom EX1700 30mm
Rear Der	Sram GX Eagle / Sram X01 Eagle
Shift	Sram GX Eagle
Crankset	Sram GX Eagle 30T / Sram X1 Eagle 30T
BB	Sram DUB BB92
Cassette	Sram GX Eagle 1275 10-50
Chain	Sram GX Eagle
Brakes	Sram Code R
Rotor front/rear	Sram Centerline 200 / 200
Post	Fox Transfer
Front tire	Maxxis Minion DHF 2.5 Exo+
Rear tire	Maxxis Minion DHR II 2.4 Exo+
Headset	Cane Creek 40 Integrated
Handlebar	Race Face Aeffect R 35x780mm
Stem	Race Face Ride 35x50mm
Grips	Odi Elite Pro
Saddle	WBT Volt Custom
Bash guard	Oneup Bash Guide
Upgrade+	DT Swiss XMC 1200 30mm
Upgrade+	AXS

Prezzo Kit C1

€ 6.299

Prezzo Kit C2

€ 6.799



	Fox 36 170mm (mm)	S	M	L	XL
A Seat Tube Length		380	410	450	495
B Top Tube Length		571,9	602,4	625,6	653,9
C Head Tube Angle		64,5°	64,5°	64,5°	64,5°
D Seat Tube Angle, Effective		77°	77°	76,9°	76,8°
E Chainstay Length		433	433	433	433
F Wheelbase		1192,5	1223,2	1248	1277,7
G Estimated BB Height		347,8	347,8	347,9	347,9
H Standover		720,6	727,8	740,8	761,6
I Headtube Length		95	96,6	107,7	118,8
J Axle to Crown		577,1	577,1	577,1	577,1
K Offset		44	44	44	44
L Stack		613,4	614,4	624,8	634,8
M Reach		430,2	460,2	480,2	505,2
N Front Center		759,5	790,2	815	844,7



Colore Touquoise / Anthracite

Prezzo telaio

€ 4.399

SB 150 TURQ SERIES - T1

Frame	SB150 Turq Series 150mm rear travel
Sizes	S / M / L / XL
Wheels size	29"
Rear shock	Fox Factory X2 230 x 60mm
Fork	Fox Factory Grip 2 36/170mm
Wheelset	DT Swiss Custom EX1700 30mm
Rear Der	Shimano XT
Shift	Shimano XT
Crankset	Shimano XT 30T
BB	Shimano BB92
Cassette	Shimano XT
Chain	Shimano XT
Brakes	Shimano XT 4 piston
Rotor front/rear	Shimano 203 / 180
Post	Fox Transfer
Front tire	Maxxis Minion DHF 2.5 Exo
Rear tire	Maxxis Aggressor 2.3 Exo
Headset	Cane Creek 40 Integrated
Handlebar	Yeti Carbon 35x800mm
Stem	Race Face Turbine Basic 35x50mm
Grips	Odi Elite Pro
Saddle	WBT Volt Custom
Upgrade+	DT Swiss XMC 1200 30mm
Upgrade+	-

Prezzo Kit T1

€ 7.999

Prezzo Kit T1 + ruote Carbon

€ 9.499

SB 150 TURQ SERIES - T2

Frame	SB150 Turq Series 150mm rear travel
Sizes	S / M / L / XL
Wheels size	29"
Rear shock	Fox Factory X2 230 x 60mm
Fork	Fox Factory Grip 2 36/170mm
Wheelset	DT Swiss Custom EX1700 30mm
Rear Der	Sram X01 Eagle
Shift	Sram X01 Eagle
Crankset	Sram X1 Eagle 30T
BB	Sram DUB BB92
Cassette	Sram X01 Eagle 1295 10-50
Chain	Sram GX Eagle
Brakes	Sram Code RSC
Rotor front/rear	Sram Centerline 200 / 180
Post	Fox Transfer
Front tire	Maxxis Minion DHF 2.5 Exo
Rear tire	Maxxis Aggressor 2.3 Exo
Headset	Cane Creek 40 Integrated
Handlebar	Yeti Carbon 35x800mm
Stem	Race Face Turbine Basic 35x50mm
Grips	Odi Elite Pro
Saddle	WBT Volt Custom
Upgrade+	DT Swiss XMC 1200 30mm
Upgrade+	AXS

Prezzo Kit T2

€ 8.699

Prezzo Kit T2 + ruote Carbon

€ 9.999

SB 150 TURQ SERIES - T3

Frame	SB150 Turq Series 150mm rear travel
Sizes	S / M / L / XL
Wheels size	29"
Rear shock	Fox Factory X2 230 x 60mm
Fork	Fox Factory Grip 2 36/170mm
Wheelset	DT Swiss Custom EX1700 30mm
Rear Der	Sram XX1 Eagle
Shift	Sram XX1 Eagle
Crankset	Sram X01 Eagle 30T
BB	Sram DUB BB92
Cassette	Sram XX1 Eagle 1299 10-50
Chain	Sram XX1 Eagle
Brakes	Sram Code RSC
Rotor front/rear	Sram Centerline 200 / 180
Post	Fox Transfer Factory
Front tire	Maxxis Minion DHF 2.5 Exo
Rear tire	Maxxis Aggressor 2.3 Exo
Headset	Cane Creek 40 Integrated
Handlebar	Yeti Carbon 35x800mm
Stem	Race Face Turbine Basic 35x50mm
Grips	Odi Elite Pro
Saddle	WBT Volt Custom
Upgrade+	DT Swiss XMC 1200 30mm
Upgrade+	AXS

Prezzo Kit T3

€ 9.499

Prezzo Kit T3 + ruote Carbon

€ 10.899

SB 150 CARBON SERIES - C1 / C2

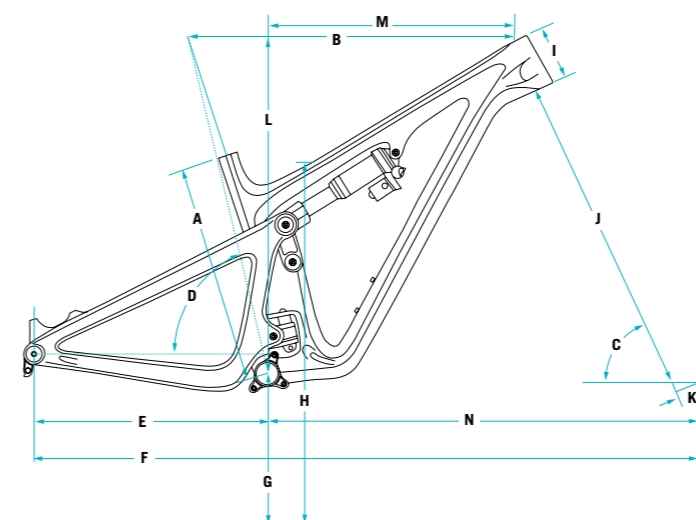
Frame	SB150 Carbon Series 150mm rear travel
Sizes	S / M / L / XL
Wheels size	29"
Rear shock	Fox Performance X2 230 x 60mm
Fork	Fox Performance 36/170mm
Wheelset	DT Swiss Custom E1900 30mm / DT Swiss Custom EX1700 30mm
Rear Der	Sram GX Eagle / Sram X01 Eagle
Shift	Sram GX Eagle
Crankset	Sram GX Eagle 30T / Sram X1 Eagle 30T
BB	Sram DUB BB92
Cassette	Sram GX Eagle 1275 10-50
Chain	Sram GX Eagle
Brakes	Sram Code R
Rotor front/rear	Sram Centerline 200 / 180
Post	Fox Transfer
Front tire	Maxxis Minion DHF 2.5 Exo
Rear tire	Maxxis Minion DHR II 2.4 Exo
Headset	Cane Creek 40 Integrated
Handlebar	Race Face Aeffect R 35x780mm
Stem	Race Face Ride 35x50mm
Grips	Odi Elite Pro
Saddle	WBT Volt Custom
Bash guard	Oneup Bash Guide
Upgrade+	DT Swiss XMC 1200 30mm
Upgrade+	AXS

Prezzo Kit C1

€ 6.499

Prezzo Kit C2

€ 6.999



	Fox 36 160mm	(mm)	XS	S	M	L	XL
A	Seat Tube Length		355	380	410	450	495
B	Top Tube Length		538,2	567,0	598,5	621,5	649,4
C	Head Tube Angle		65°	65°	65°	65°	65°
D	Seat Tube Angle, Effective		77,1°	77°	77°	77°	76,9°
E	Chainstay Length		433	433	433	433	433
F	Wheelbase		1144,8	1175,9	1208,2	1232,9	1262,6
G	Estimated BB Height		339,9	339,9	339,9	339,9	339,9
H	Standover		702,4	707,6	710,0	712,3	714,7
I	Headtube Length		95,5	109,9	115,4	126,4	137,5
J	Axle to Crown		549,1	549,1	549,1	549,1	549,1
K	Offset		37,5	37,5	37,5	37,5	37,5
L	Stack		581,9	594,9	599,9	609,9	619,9
M	Reach		405,1	430,1	460,1	480,1	505,1
N	Front Center		711,8	742,9	755,2	799,9	829,6



Colore Touquoise / Inferno / Gray

Prezzo telaio

€
3.999

SB 140 TURQ SERIES - T1

Frame	SB140 Turq Series 140mm rear travel
Sizes	XS / S / M / L / XL
Wheels size	27.5"
Rear shock	Fox Factory DPX2, 210 x 55mm
Fork	Fox Factory Grip 2 36/160mm
Wheelset	DT Swiss M1700 30mm
Rear Der	Shimano XT
Shift	Shimano XT
Crankset	Shimano XT 30T
BB	Shimano BB92
Cassette	Shimano XT
Chain	Shimano XT
Brakes	Shimano XT 4 piston
Rotor front/rear	Shimano 180 / 180
Post	Fox Transfer
Front tire	Maxxis Minion DHF 2.6 Exo
Rear tire	Maxxis Rekon 2.6 Exo
Headset	Cane Creek 40 Integrated
Handlebar	Yeti Carbon 35x780mm
Stem	Race Face Turbine Basic 35x50mm
Grips	Odi Elite Pro
Saddle	WBT Volt Custom
Upgrade+	DT Swiss XMC 1200 30mm
Upgrade+	-

SB 140 TURQ SERIES - T2

Frame	SB140 Turq Series 140mm rear travel
Sizes	XS / S / M / L / XL
Wheels size	27.5"
Rear shock	Fox Factory DPX2, 210 x 55mm
Fork	Fox Factory Grip 2 36/160mm
Wheelset	DT Swiss M1700 30mm
Rear Der	Sram X01 Eagle
Shift	Sram X01 Eagle
Crankset	Sram X1 Eagle 30T
BB	Sram DUB BB92
Cassette	Sram X01 Eagle 1295 10-50
Chain	Sram GX Eagle
Brakes	Sram Guide RSC
Rotor front/rear	Sram Centerline 180 / 180
Post	Fox Transfer
Front tire	Maxxis Minion DHF 2.6 Exo
Rear tire	Maxxis Rekon 2.6 Exo
Headset	Cane Creek 40 Integrated
Handlebar	Yeti Carbon 35x780mm
Stem	Race Face Turbine Basic 35x50mm
Grips	Odi Elite Pro
Saddle	WBT Volt Custom
Upgrade+	DT Swiss XMC 1200 30mm
Upgrade+	AXS

SB 140 TURQ SERIES - T3

Frame	SB140 Turq Series 140mm rear travel
Sizes	XS / S / M / L / XL
Wheels size	27.5"
Rear shock	Fox Factory DPX2, 210 x 55mm
Fork	Fox Factory Grip 2 36/160mm
Wheelset	DT Swiss M1700 30mm
Rear Der	Sram XX1 Eagle
Shift	Sram XX1 Eagle
Crankset	Sram X01 Eagle 30T
BB	Sram DUB BB92
Cassette	Sram XX1 Eagle 1299 10-50
Chain	Sram XX1 Eagle
Brakes	Sram Guide RSC
Rotor front/rear	Sram Centerline 180 / 180
Post	Fox Transfer Factory
Front tire	Maxxis Minion DHF 2.6 Exo
Rear tire	Maxxis Rekon 2.6 Exo
Headset	Cane Creek 40 Integrated
Handlebar	Yeti Carbon 35x780mm
Stem	Race Face Turbine Basic 35x50mm
Grips	Odi Elite Pro
Saddle	WBT Volt Custom
Upgrade+	DT Swiss XMC 1200 30mm
Upgrade+	AXS

SB 140 CARBON SERIES - C1 / C2

Frame	SB140 Turq Series 140mm rear travel
Sizes	XS / S / M / L / XL
Wheels size	27.5"
Rear shock	Fox Performance DPX2, 210 x 55mm
Fork	Fox Performance 36/160mm
Wheelset	DT Swiss Custom M1900 30mm / DT Swiss Custom M1700 30mm
Rear Der	Sram GX Eagle / Sram X01 Eagle
Shift	Sram GX Eagle
Crankset	Sram GX Eagle 30T / Sram X1 Eagle 30T
BB	Sram DUB BB92
Cassette	Sram GX Eagle 1275 10-50
Chain	Sram GX Eagle
Brakes	Sram Guide R / Sram Guide RSC
Rotor front/rear	Sram Centerline 180 / 180
Post	Fox Transfer
Front tire	Maxxis Minion DHF 2.6 Exo
Rear tire	Maxxis Rekon 2.6 Exo
Headset	Cane Creek 40 Integrated
Handlebar	Race Face Aeffect R 35x780mm
Stem	Race Face Ride 35x50mm
Grips	Odi Elite Pro
Saddle	WBT Volt Custom
Upgrade+	DT Swiss XMC 1200 30mm
Upgrade+	AXS

Prezzo Kit T1

€ 7.599

Prezzo Kit T1 + ruote Carbon

€ 8.099

Prezzo Kit T2

€ 8.299

Prezzo Kit T2 + ruote Carbon

€ 9.799

Prezzo Kit T3

€ 8.999

Prezzo Kit T3 + ruote Carbon

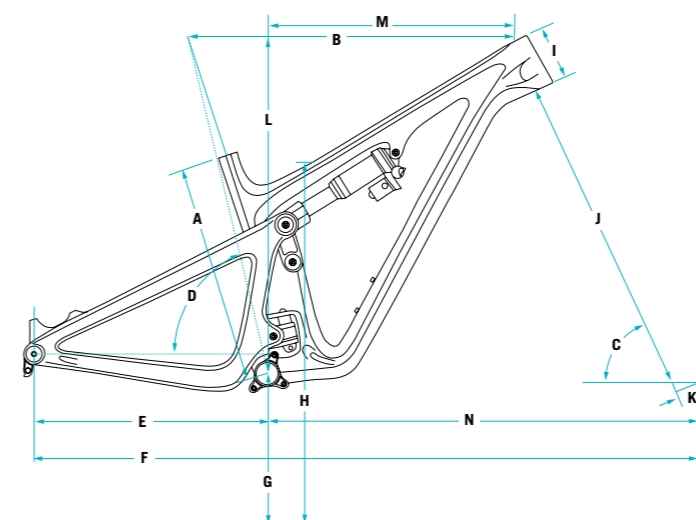
€ 10.499

Prezzo Kit C1

€ 6.299

Prezzo Kit C2

€ 6.799



	Fox 36 150mm	(mm)	S	M	L	XL
A	Seat Tube Length		380	410	450	495
B	Top Tube Length		570,7	601,9	625,2	653,4
C	Head Tube Angle		65,5°	65,5°	65,5°	65,5°
D	Seat Tube Angle, Effective		77,1°	77°	76,9°	76,9°
E	Chainstay Length		433	433	433	433
F	Wheelbase		1173,9	1205,6	1230,2	1259,7
G	Estimated BB Height		337,6	337,6	337,6	337,6
H	Standover		723,5	725,9	728,2	730,6
I	Headtube Length		95	99,2	110,2	121,2
J	Axle to Crown		557,1	557,1	557,1	557,1
K	Offset		44	44	44	44
L	Stack		611	614,8	624,8	634,8
M	Reach		430,2	460,2	480,2	505,2
N	Front Center		740,9	772,6	797,2	826,7



Colore Touquoise / Dark Anthracite / Storm

Prezzo telaio

€
3.999

SB 130 TURQ SERIES - T1

Frame	SB130 Turq Series 130mm rear travel
Sizes	S / M / L / XL
Wheels size	29"
Rear shock	Fox Factory DPX2, 210 x 52,5mm
Fork	Fox Factory Fit 4 36/150mm
Wheelset	DT Swiss M1700 30mm
Rear Der	Shimano XT
Shift	Shimano XT
Crankset	Shimano XT 30T
BB	Shimano BB92
Cassette	Shimano XT
Chain	Shimano XT
Brakes	Shimano XT 4 piston
Rotor front/rear	Shimano 180 / 180
Post	Fox Transfer
Front tire	Maxxis Minion DHF 2.5 Exo
Rear tire	Maxxis Aggressor 2.3 Exo
Headset	Cane Creek 40 Integrated
Handlebar	Yeti Carbon 35x780mm
Stem	Race Face Turbine Basic 35x50mm
Grips	Odi Elite Pro
Saddle	WBT Volt Custom
Upgrade+	DT Swiss XMC 1200 30mm
Upgrade+	-

SB 130 TURQ SERIES - T2

Frame	SB130 Turq Series 130mm rear travel
Sizes	S / M / L / XL
Wheels size	29"
Rear shock	Fox Factory DPX2, 210 x 52,5mm
Fork	Fox Factory Fit 4 36/150mm
Wheelset	DT Swiss M1700 30mm
Rear Der	Sram XX1 Eagle
Shift	Sram XX1 Eagle
Crankset	Sram X01 Eagle 30T
BB	Sram DUB BB92
Cassette	Sram X01 Eagle 1299 10-50
Chain	Sram GX Eagle
Brakes	Sram Guide RSC
Rotor front/rear	Sram Centerline 180 / 180
Post	Fox Transfer
Front tire	Maxxis Minion DHF 2.5 Exo
Rear tire	Maxxis Aggressor 2.3 Exo
Headset	Cane Creek 40 Integrated
Handlebar	Yeti Carbon 35x780mm
Stem	Race Face Turbine Basic 35x50mm
Grips	Odi Elite Pro
Saddle	WBT Volt Custom
Upgrade+	DT Swiss XMC 1200 30mm
Upgrade+	AXS

SB 130 TURQ SERIES - T3

Frame	SB130 Turq Series 130mm rear travel
Sizes	S / M / L / XL
Wheels size	29"
Rear shock	Fox Factory DPX2, 210 x 52,5mm
Fork	Fox Factory Fit 4 36/150mm
Wheelset	DT Swiss M1700 30mm
Rear Der	Sram XX1 Eagle
Shift	Sram XX1 Eagle
Crankset	Sram X01 Eagle 30T
BB	Sram DUB BB92
Cassette	Sram XX1 Eagle 1299 10-50
Chain	Sram XX1 Eagle
Brakes	Sram Guide RSC
Rotor front/rear	Sram Centerline 180 / 180
Post	Fox Transfer Factory
Front tire	Maxxis Minion DHF 2.5 Exo
Rear tire	Maxxis Aggressor 2.3 Exo
Headset	Cane Creek 40 Integrated
Handlebar	Yeti Carbon 35x780mm
Stem	Race Face Turbine 35x50mm
Grips	Odi Elite Pro
Saddle	WBT Volt Custom
Upgrade+	DT Swiss XMC 1200 30mm
Upgrade+	AXS

SB 130 CARBON SERIES - C1 / C2

Frame	SB130 Carbon Series 130mm rear travel
Sizes	S / M / L / XL
Wheels size	29"
Rear shock	Fox Performance DPX2, 210 x 52,5mm
Fork	Fox Performance 36/150mm
Wheelset	DT Swiss M1900 30mm / DT Swiss M1700 30mm
Rear Der	Sram GX Eagle / Sram X01 Eagle
Shift	Sram GX Eagle
Crankset	Sram GX Eagle 30T
BB	Sram DUB BB92
Cassette	Sram GX Eagle 1275 10-50
Chain	Sram GX Eagle
Brakes	Sram Guide R / Sram Guide RSC
Rotor front/rear	Sram Centerline 180 / 180
Post	Fox Transfer
Front tire	Maxxis Minion DHF 2.5 Exo
Rear tire	Maxxis Aggressor 2.3 Exo
Headset	Cane Creek 40 Integrated
Handlebar	Race Face Aeffect R 35x780mm
Stem	Race Face Ride 35x50mm
Grips	Odi Elite Pro
Saddle	WBT Volt Custom
Upgrade+	DT Swiss XMC 1200 30mm
Upgrade+	AXS

Prezzo Kit T1

€ 7.599

Prezzo Kit T1 + ruote Carbon

€ 8.999

Prezzo Kit T2

€ 8.299

Prezzo Kit T2 + ruote Carbon

€ 9.799

Prezzo Kit T3

€ 8.999

Prezzo Kit T3 + ruote Carbon

€ 10.499

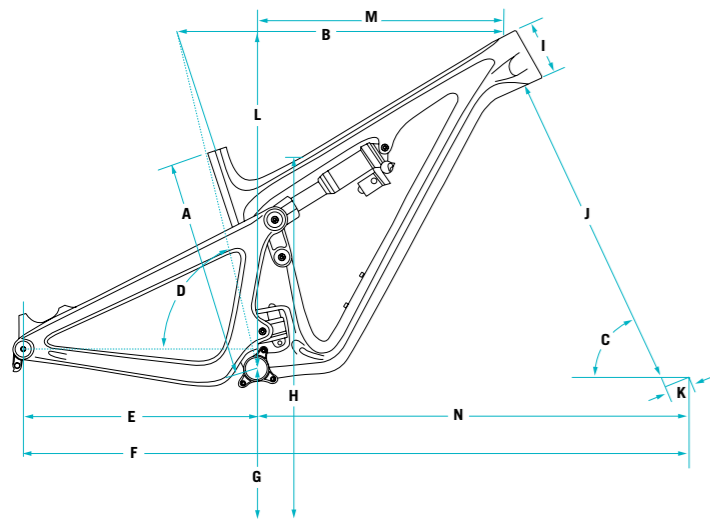
Prezzo Kit C1

€ 6.299

Prezzo Kit C2

€ 6.799

SB 130 LUNCH RIDE



Fox 36 160mm (mm)	S	M	L	XL
A Seat Tube Length	380	410	450	495
B Top Tube Length	572,1	603,9	626,7	655
C Head Tube Angle	65,1°	65,1°	65,1°	65,1°
D Seat Tube Angle, Effective	76,6°	76,6°	76,5°	76,4°
E Chainstay Length	433,2	433,2	433,2	433,2
F Wheelbase	1178,1	1209,8	1234,4	1263,9
G Estimated BB Height	341	340,9	340,8	340,8
H Standover	729,3	731,5	733,7	735,8
I Headtube Length	95	99,2	110,2	121,2
J Axle to Crown	567,1	567,1	567,1	567,1
K Offset	44	44	44	44
L Stack	614,3	618,3	628,4	638,5
M Reach	425,5	455,6	475,6	500,6
N Front Center	744,8	776,6	801,1	830,7

SB 130 LUNCH RIDE - TLR (TURQ SERIES)

Frame	SB130 Turq Series Lunch Ride 136mm rear travel
Sizes	S / M / L / XL
Wheels size	29"
Rear shock	Fox Factory DPX2, 210 x 55mm
Fork	Fox Factory Grip 2 36/160mm
Wheelset	DT Swiss EX1700 30mm
Rear Der	Sram X01 Eagle
Shift	Sram X01 Eagle
Crankset	Sram X01 Eagle 30T 170mm
BB	Sram DUB BB92
Cassette	Sram X01 Eagle 1295 10-50
Chain	Sram GX Eagle
Brakes	Sram Code RSC
Rotor front/rear	Sram Centerline 200 / 180
Post	Fox Transfer
Front tire	Maxxis Minion DHF 2.5 Exo
Rear tire	Maxxis Aggressor 2.3 Exo
Headset	Cane Creek 40 Integrated
Handlebar	Yeti Carbon 35x800mm
Stem	Race Face Turbine 35x50mm
Grips	Odi Elite Pro
Saddle	WBT Volt Custom
Upgrade+	DT Swiss XMC 1200 30mm
Upgrade+	AXS

SB 130 LUNCH RIDE - CLR (CARBON SERIES)

Frame	SB130 Carbon Series Lunch Ride 136mm rear travel
Sizes	S / M / L / XL
Wheels size	29"
Rear shock	Fox Factory DPX2, 210 x 55mm
Fork	Fox Performance 36/160mm
Wheelset	DT Swiss E1900 30mm
Rear Der	Sram GX Eagle
Shift	Sram GX Eagle
Crankset	Sram GX Eagle 30T 170mm
BB	Sram DUB BB92
Cassette	Sram GX Eagle 1275 10-50
Chain	Sram GX Eagle
Brakes	Sram Code R
Rotor front/rear	Sram Centerline 200 / 180
Post	Fox Transfer
Front tire	Maxxis Minion DHF 2.5 Exo
Rear tire	Maxxis Aggressor 2.3 Exo
Headset	Cane Creek 40 Integrated
Handlebar	Race Face Aeffect R 35x780mm
Stem	Race Face Ride 35x50mm
Grips	Odi Elite Pro
Saddle	WBT Volt Custom
Upgrade+	DT Swiss XMC 1200 30mm
Upgrade+	AXS

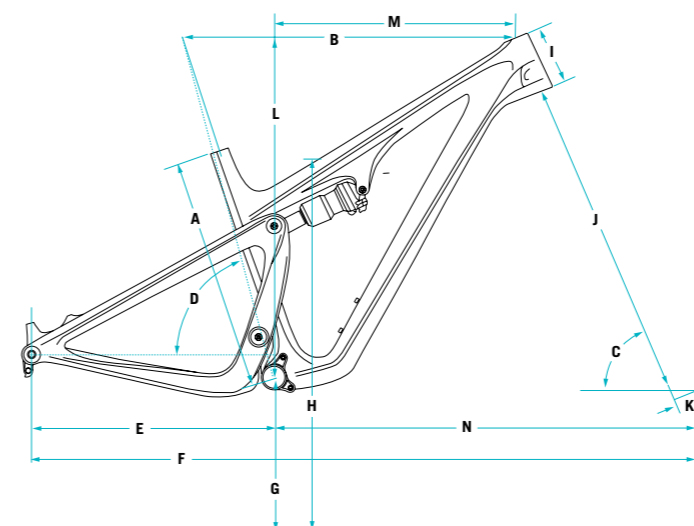
Colore Touquoise / Dark Anthracite / Storm

Prezzo Kit TLR

€ 8.399

Prezzo Kit CLR

€ 6.299



	Fox 34 120mm (mm)	S	M	L	XL
A Seat Tube Length		393	419	457	495
B Top Tube Length		576,7	605,2	630,3	657,2
C Head Tube Angle		67,8°	67,8°	67,8°	67,8°
D Seat Tube Angle, Effective		74,3°	74,2°	74,1°	74°
E Chainstay Length		437	437	437	437
F Wheelbase		1122,3	1151,4	1177,4	1205,5
G Estimated BB Height		332	332	332	332
H Standover		724	724	724	724
I Headtube Length		96,2	107	123,2	144,7
J Axle to Crown		530,2	530,2	530,2	530,2
K Offset		44	44	44	44
L Stack		602,0	612,1	627,1	647,2
M Reach		407,1	432,1	452,1	472,1
N Front Center		685,2	714,2	740,2	768,3



Colore Touquoise / Raw

Prezzo telaio

€ 3.999

SB 100 TURQ SERIES - T1

Frame	SB100 Turq Series 100mm rear travel
Sizes	S / M / L / XL
Wheels size	29"
Rear shock	Fox Factory DPS 190 x 37,5mm
Fork	Fox Factory 34/120mm SC
Wheelset	DT Swiss M1700 25mm
Rear Der	Shimano XT
Shift	Shimano XT
Crankset	Shimano XT 30T
BB	Shimano BB92
Cassette	Shimano XT
Chain	Shimano XT
Brakes	Shimano XT 2 piston
Rotor front/rear	Shimano 180 / 160
Post	Fox Transfer
Front tire	Maxxis Minion DHF 2.3 Exo
Rear tire	Maxxis Aggressor 2.3 Exo
Headset	Cane Creek 40 Integrated
Handlebar	Yeti Carbon 35x760mm
Stem	Race Face Turbine Basic 35x50mm
Grips	Odi Elite Pro
Saddle	WBT Volt Custom
Upgrade+	DT Swiss XRC 1200 25mm
Upgrade+	-

Prezzo Kit T1

€ 7.499

Prezzo Kit T1 + ruote Carbon

€ 8.999

SB 100 TURQ SERIES - T2

Frame	SB100 Turq Series 100mm rear travel
Sizes	S / M / L / XL
Wheels size	29"
Rear shock	Fox Factory DPS 190 x 37,5mm
Fork	Fox Factory 34/120mm SC
Wheelset	DT Swiss M1700 25mm
Rear Der	Sram X01 Eagle
Shift	Sram X01 Eagle
Crankset	Sram X01 Eagle 30T
BB	Sram DUB BB92
Cassette	Sram X01 Eagle 1295 10-50
Chain	Sram GX Eagle
Brakes	Sram Level TLM
Rotor front/rear	Sram Centerline 180 / 160
Post	Fox Transfer
Front tire	Maxxis Minion DHF 2.3 Exo
Rear tire	Maxxis Aggressor 2.3 Exo
Headset	Cane Creek 40 Integrated
Handlebar	Yeti Carbon 35x760mm
Stem	Race Face Turbine Basic 35x50mm
Grips	Odi Elite Pro
Saddle	WBT Volt Custom
Upgrade+	DT Swiss XRC 1200 25mm
Upgrade+	AXS

Prezzo Kit T2

€ 7.999

Prezzo Kit T2 + ruote Carbon

€ 9.499

SB 100 TURQ SERIES - T3

Frame	SB100 Turq Series 100mm rear travel
Sizes	S / M / L / XL
Wheels size	29"
Rear shock	Fox Factory DPS 190 x 37,5mm
Fork	Fox Factory 34/120mm SC
Wheelset	DT Swiss M1700 25mm
Rear Der	Sram XX1 Eagle
Shift	Sram XX1 Eagle
Crankset	Sram X01 Eagle 30T
BB	Sram DUB BB92
Cassette	Sram XX1 Eagle 1299 10-50
Chain	Sram XX1 Eagle
Brakes	Sram Level TLM
Rotor front/rear	Sram Centerline 180 / 160
Post	Fox Transfer Factory 3
Front tire	Maxxis Minion DHF 2.3 Exo
Rear tire	Maxxis Aggressor 2.3 Exo
Headset	Cane Creek 40 Integrated
Handlebar	Yeti Carbon 35x760mm
Stem	Race Face Turbine 35x50mm
Grips	Odi Elite Pro
Saddle	WBT Volt Custom
Upgrade+	DT Swiss XRC 1200 25mm
Upgrade+	AXS

Prezzo Kit T3

€ 8.799

Prezzo Kit T3 + ruote Carbon

€ 10.199

SB 100 CARBON SERIES - C1 / C2

Frame	SB100 Carbon Series 100mm rear travel
Sizes	S / M / L / XL
Wheels size	29"
Rear shock	Fox Performance DPS 190 x 37,5mm
Fork	Fox Performance 34/120mm SC
Wheelset	DT Swiss M1900 25mm / DT Swiss M1700 25mm
Rear Der	Sram GX Eagle / Sram X01 Eagle
Shift	Sram GX Eagle
Crankset	Sram GX Eagle 30T / Sram X1 Eagle 30T
BB	Sram DUB BB92
Cassette	Sram GX Eagle 1275 10-50
Chain	Sram GX Eagle
Brakes	Sram Level TLM
Rotor front/rear	Sram Centerline 180 / 160
Post	Fox Transfer
Front tire	Maxxis Minion DHF 2.3 Exo
Rear tire	Maxxis Aggressor 2.3 Exo
Headset	Cane Creek 40 Integrated
Handlebar	Race Face Aeffect R 35x760mm
Stem	Race Face Ride 35x50mm
Grips	Odi Elite Pro
Saddle	WBT Volt Custom
Upgrade+	DT Swiss XRC 1200 25mm
Upgrade+	AXS

Prezzo Kit C1

€ 5.899

Prezzo Kit C2

€ 6.499

YETI



SB 165



SB 150



Se cercate la storia di questo marchio non occorre che andiate molto indietro nel tempo. Perché Chris Cocalis ha fondato Pivot Cycles nel 2007, in Arizona, partendo da pochi concetti, ma assolutamente indovinati: costruire bici di alto livello, ma senza basarsi solo sulla tecnologia. Se lo chiedete al fondatore, Cocalis, vi risponde che la tecnologia c'è e ci deve essere, ma le Mtb Pivot hanno prima di tutto un'anima: sono nate per andare forte. E qui entrano in azione Dave Weagle (sì, quello del DW-Link), Reynolds, Fox, Shimano e molti altri marchi e protagonisti di questo sport. Se guardiamo l'ultima arrivata, la Shuttle, si capisce proprio la capacità di visione di Chris Cocalis e Pivot Cycles. E non è che l'inizio. Se continuate a sfogliare il catalogo trovate Phoenix 29, la Firebird 29, Trail 429...



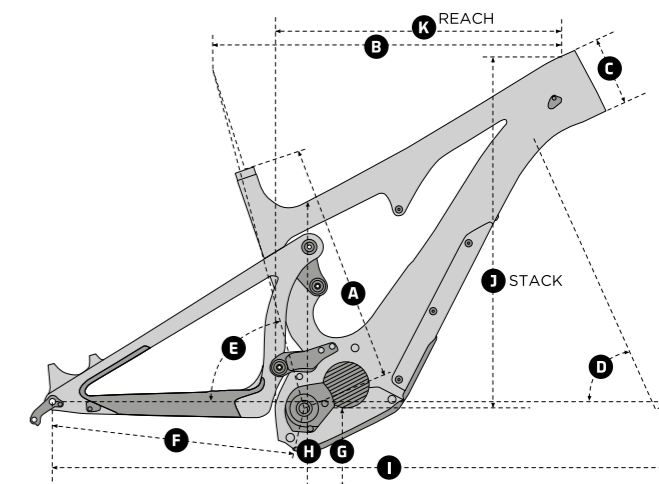
★dsb★

SEMPLICEMENTE BICI

2020



Rear shock	Fox Factory Float DPX2
Fork	Fox Factory E-MTB 36 29" 44mm offset FIT4 -160mm
Headset	Pivot Precision Sealed Cartridge
Rear der	Shimano XTR M9100 GS 12-Speed
Shifters	Shimano XTR Rapidfire Plus M9100 12-Speed
Brakes	Shimano XT M8020 4-piston
Rotors	Front: Shimano XT RT81 CenterLock 203mm Back: Shimano RT-EM810 CenterLock 180mm
Crank arm set	Shimano XT M8050 w/Shimano E-MTB 34t - 170mm
Chain	Shimano M9100 12-Speed
Cassette	Shimano XTR M9100 10-51t
Battery	Shimano Steps BT-E8010
Drive unit	Shimano Steps DU-E8000
Cycle computer	Shimano SC-E8000
Model Assist Switch	Shimano SW-E7000 Assist Switch
Wheels	DT Swiss EB 1535 30mm - 29"
Tires	Front: Maxxis Minion DHF 29" x 2.5" TR EXO+ 3CT Rear: Maxxis Minion DHR II 29" x 2.4" TR EXO+ 3CT
Bar	Phoenix Team Carbon 760mm
Stem	Phoenix Team Enduro/Trail 45mm
Grips	Phoenix Team Padloc Blue
Saddle	Phoenix WTB Pro Hightail Trail (SM) Phoenix WTB Pro Vigo (MD-XL)
Seat post	Fox Transfer 125mm (SM) Fox Transfer 150mm (MD-XL)
Size	SM / MD / LG / XL



	SM	MD	LG	XL
A Seat Tube Length (C-T)	39,6 cm	42,7 cm	45,8 cm	49,6 cm
B Top Tube Length	60,0 cm	61,9 cm	64,1 cm	66,7 cm
C Head Tube Length	11 cm	12 cm	13 cm	14 cm
D Head Tube Angle	65,2°	65,2°	65,2°	65,3°
E Seat Tube Angle	74°	74°	74°	74°
F Chainstay Length	43,8 cm	43,8 cm	43,8 cm	43,8 cm
G Bottom Bracket Height	36,3 cm	36,3 cm	36,3 cm	36,3 cm
H Standover Height	72,2 cm	72,2 cm	72,9 cm	72,9 cm
I Wheelbase	118,2 cm	120,6 cm	123,0 cm	126,0 cm
J Stack	60,7 cm	61,6 cm	62,5 cm	63,5 cm
K Reach	41,9 cm	43,9 cm	45,9 cm	48,4 cm

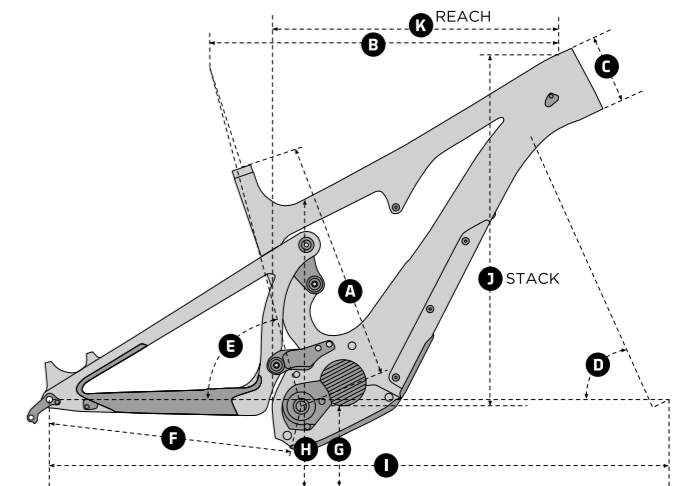
Colore Blue

Prezzo

€ 10.499



Rear shock	Fox Performance Float DPX2
Fork	Fox Performance E-MTB 36 29" 44mm offset Grip -160mm
Headset	Pivot Precision Sealed Cartridge
Rear der	Shimano XT GS 11-Speed
Shifters	Shimano SLX M7000 11-Speed
Brakes	Shimano MT520 4-piston
Rotors	Front: Shimano RT64 CenterLock 203mm Back: Shimano RT-EM600 CenterLock 180mm
Crank arm set	Shimano E8000 w/Samnox SB+ 34T 170mm
Chain	Shimano E8000 11-Speed
Cassette	Shimano M-7000 11-46t
Battery	Shimano Steps BT-E8010
Drive unit	Shimano Steps DU-E7000
Cycle computer	Shimano SC-E7000
Model Assist Switch	Shimano SW-E7000 Assist Switch
Wheels	DT Swiss EB 1935 30mm - 29"
Tires	Front: Maxxis Minion DHF 29" x 2.5" TR EXO+ 3CT Rear: Maxxis Minion DHR II 29" x 2.4" TR EXO+ 3CT
Bar	Phoenix Race Aluminum 750mm
Stem	Phoenix Team Enduro/Trail 45mm
Grips	Phoenix Team Padloc Grey
Saddle	Phoenix WTB Race Hightail Trail (SM) Phoenix WTB Race Vigo (MD-XL)
Seat post	KS Rage I 125mm (SM) KS Rage I 150mm (MD-XL)
Size	SM / MD / LG / XL



	SM	MD	LG	XL
A Seat Tube Length (C-T)	39,6 cm	42,7 cm	45,8 cm	49,6 cm
B Top Tube Length	60,0 cm	61,9 cm	64,1 cm	66,7 cm
C Head Tube Length	11 cm	12 cm	13 cm	14 cm
D Head Tube Angle	65,2°	65,2°	65,2°	65,3°
E Seat Tube Angle	74°	74°	74°	74°
F Chainstay Length	43,8 cm	43,8 cm	43,8 cm	43,8 cm
G Bottom Bracket Height	36,3 cm	36,3 cm	36,3 cm	36,3 cm
H Standover Height	72,2 cm	72,2 cm	72,9 cm	72,9 cm
I Wheelbase	118,2 cm	120,6 cm	123,0 cm	126,0 cm
J Stack	60,7 cm	61,6 cm	62,5 cm	63,5 cm
K Reach	41,9 cm	43,9 cm	45,9 cm	48,4 cm

Colore Black

Prezzo

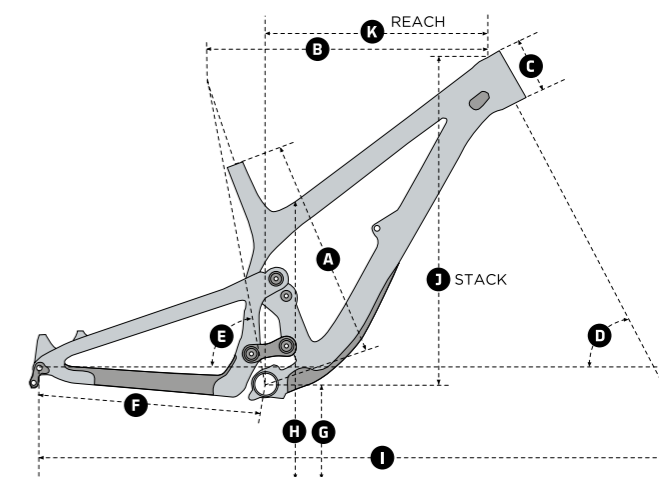
€ 7.999



SAINT CARBON WHEELS

Frame	Phoenix 29 Carbon
Wheel size	29"
Rear shock	Fox Factory Float X2
Fork	Fox Factory 40 29", 58mm offset, GRIP2 - 203mm
Headset	Pivot Precision Sealed Cartridge - DH
Rear der	Shimano Saint 10-Speed
Shifters	Shimano Saint M820 10-Speed
Brakes	Shimano Saint M820
Crankset	Race Face SIXC 36t - 165mm
Handlebar	Phoenix Team Low Rise Carbon - 800mm
Grips	Phoenix Team Padloc
Stem	Phoenix Team DH - 45mm
Seatpost	Phoenix Pro Carbon
Saddle	Phoenix WTB Team High Tail
Cassette	Shimano 105 CS-5700 11-28t
Wheels	DT Swiss FR 560 w/ DT Swiss 350 hub - 29"
Wheel upgrade	Reynolds Blacklabel DH w/ Industry Nine hub, 28mm - 29"
Tires	Maxxis Assegai 29" x 2.5" 3C, MAXXGRIP, DH CASING Maxxis Assegai 29" x 2.5" 3C, MAXXGRIP, DH CASING
Rotors	Shimano XT RT76 6-Bolt - 203mm Shimano XT RT76 6-Bolt - 180mm
Chain	Shimano CN-6701 10-Speed
Size	SM / MD / LG / XL

Colore Blue / Concrete



	SM	MD	LG	XL
A Seat Tube Length (C-T)	43,2 cm	43,2 cm	43,2 cm	43,2 cm
B Top Tube Length	57,0 cm	59,0 cm	62,0 cm	64,5 cm
C Head Tube Length	10,6 cm	10,6 cm	10,6 cm	10,6 cm
D Head Tube Angle	62,5°	62,5°	62,5°	62,5°
E Seat Tube Angle	76,0°	76,0°	76,0°	76,0°
F Chainstay Length	44,3 cm	44,3 cm	44,3 cm	44,3 cm
G Bottom Bracket Height	33,7 cm	33,7 cm	33,7 cm	33,7 cm
H Standover Height	67,4 cm	67,4 cm	67,4 cm	67,4 cm
I Wheelbase	122,7 cm	124,7 cm	127,8 cm	130,2 cm
J Stack	64,0 cm	64,0 cm	64,0 cm	64,0 cm
K Reach	41,0 cm	43,0 cm	46,0 cm	48,5 cm

Prezzo solo telaio

€ 4.199

Prezzo bici Saint Carbon wheels

€ 9.999



PHOENIX 29 CARBON

PRO SAINT

Frame	Phoenix 29 Carbon
Wheel size	29"
Rear shock	Fox Factory Float X2
Fork	Fox Factory 40 29", 58mm offset, GRIP2 - 203mm
Headset	Pivot Precision Sealed Cartridge - DH
Rear der	Shimano Saint 10-Speed
Shifters	Shimano Saint M820 10-Speed
Brakes	Shimano Saint M820
Crankset	Race Face SIXC 36t - 165mm
Handlebar	Phoenix Team Low Rise Carbon - 800mm
Grips	Phoenix Team Padloc
Stem	Phoenix Team DH - 45mm
Seatpost	Phoenix Pro Carbon
Saddle	Phoenix WTB Team High Tail
Cassette	Shimano 105 CS-5700 11-28t
Wheels	DT Swiss FR 560 w/ DT Swiss 350 hub - 29"
Wheel upgrade	Reynolds Blacklabel DH w/ Industry Nine hub, 28mm - 29"
Tires	Maxxis Assegai 29" x 2.5" 3C, MAXXGRIP, DH CASING Maxxis Assegai 29" x 2.5" 3C, MAXXGRIP, DH CASING
Rotors	Shimano XT RT76 6-Bolt - 203mm Shimano XT RT76 6-Bolt - 180mm
Chain	Shimano CN-6701 10-Speed
Size	SM / MD / LG / XL

Prezzo bici Pro Saint

€
8.699

RACE ZEE

Frame	Phoenix 29 Carbon
Wheel size	29"
Rear shock	Fox Factory Float X2
Fork	Fox Factory 40 29", 58mm offset, GRIP2 - 203mm
Headset	Pivot Precision Sealed Cartridge - DH
Rear der	Shimano Zee 10-Speed
Shifters	Shimano Zee M640 10-Speed
Brakes	Shimano Zee M640
Crankset	Race Face Atlas 36t - 165mm
Handlebar	Phoenix Race Low Rise Aluminum - 800mm
Grips	Phoenix Team Padloc
Stem	Phoenix Team DH - 45mm
Seatpost	Phoenix Race Aluminum
Saddle	Phoenix WTB Race High Tail
Cassette	Shimano 105 CS-5700 11-28t
Wheels	Sun Ringle SD37 - 29"
Wheel upgrade	-
Tires	Maxxis Assegai 29" x 2.5" 3C, MAXXGRIP, DH CASING Maxxis Assegai 29" x 2.5" 3C, MAXXGRIP, DH CASING
Rotors	Shimano SLX RT66 6-Bolt - 203mm Shimano SLX RT66 6-Bolt - 180mm
Chain	Shimano CN-6701 10-Speed
Size	SM / MD / LG / XL

Prezzo bici Race Zee

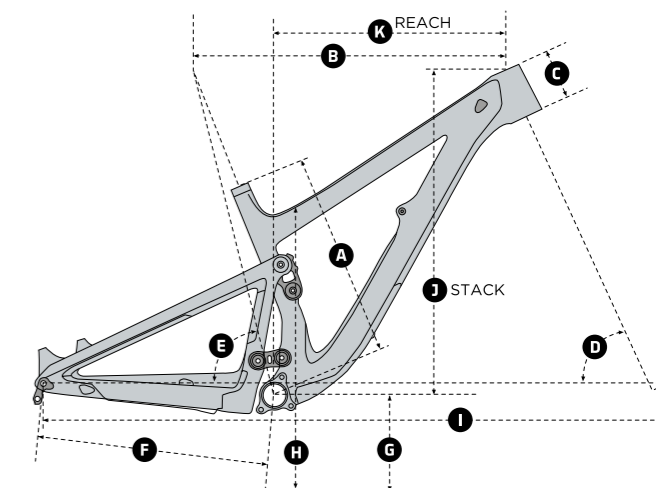
€
6.999



TEAM XX1 AXS CARBON WHEELS

Frame	Firebird 29 Carbon
Wheel size	29"
Rear shock	Fox Factory Float X2
Fork	Fox Factory 36 29", 44mm offset, GRIP2 - 170mm
Headset	Pivot Precision Sealed Cartridge
Rear der	Sram XX1 Eagle AXS
Chain guide	-
Shifters	Sram XX1 Eagle AXS
Brakes	Sram Guide Ultimate 4-piston
Crankset	Sram XX1 Eagle DUB SL 32t - 170mm
Handlebar	Phoenix Team Low Rise Carbon - 800mm
Grips	Phoenix Team Padloc
Stem	Phoenix Team Enduro/Trail - 45mm
Seatpost	Rock Shox Reverb AXS 125mm (SM), 150mm (MD-LG), 170mm (XL)
Saddle	Phoenix WTB Team High Tail Trail
Cassette	Sram XX1 XG-1299 10-50t
Wheels	Reynolds Blacklabel Enduro Wide Trail w/ Industry Nine hub, 34mm - 29"
Wheel upgrade	-
Tires	Maxxis Minion DHF 29" x 2.5" WT, TR, 3C, EXO, MAXXTERRA Maxxis Minion DHRII 29" x 2.4" WT, TR, 3C, EXO, MAXXTERRA
Rotor	Sram Centerline CenterLock - 180mm Sram Centerline CenterLock - 180mm
Chain	Sram XX1 12-Speed
Size	SM / MD / LG / XL

Colore Sandstorm / Blue



	SM	MD	LG	XL
A Seat Tube Length (C-T)	39,4 cm	42,5 cm	45,7 cm	49,5 cm
B Top Tube Length	59,4 cm	62,4 cm	64,6 cm	66,9 cm
C Head Tube Length	9,5 cm	10,5 cm	11,5 cm	12,5 cm
D Head Tube Angle	65,5°	65,5°	65,5°	65,5°
E Seat Tube Angle	75°	75°	75°	75°
F Chainstay Length	42,9 cm	42,9 cm	42,9 cm	42,9 cm
G Bottom Bracket Height	35,4 cm	35,4 cm	35,4 cm	35,4 cm
H Standover Height	68,9 cm	69,5 cm	70,9 cm	71,9 cm
I Wheelbase	118,5 cm	121,6 cm	124,0 cm	126,5 cm
J Stack	60,1 cm	60,9 cm	61,8 cm	62,7 cm
K Reach	43,3 cm	46,0 cm	48,0 cm	50,0 cm

Prezzo telaio + guarnitura + mov. + corona

€ 4.799

Prezzo bici Team XX1 AXS Carbon Wheels

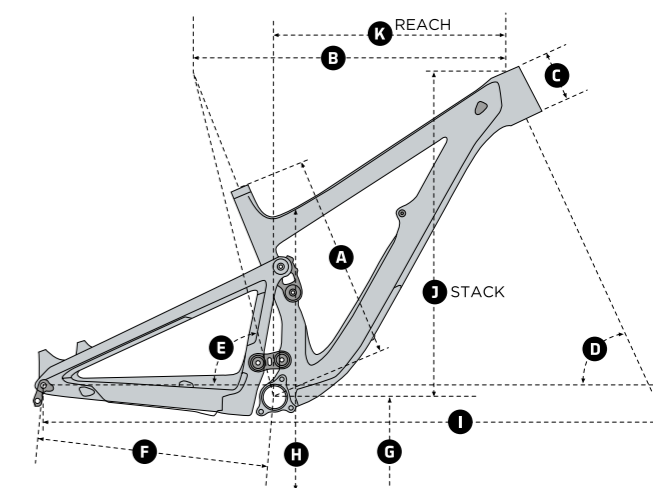
€ 11.999



PRO X01 CARBON WHEELS

Frame	Firebird 29
Wheel size	29"
Rear shock	Fox Performance Float X2
Fork	Fox Factory 36 29", 44mm offset, GRIP2 - 170mm
Headset	Pivot Precision Sealed Cartridge
Rear der	Sram X01 12 Speed
Chain guide	-
Shifters	Sram X01 Eagle 12 Speed
Brakes	Sram Code RSC 4-piston
Crankset	Sram X0 1 Eagle DUB 32t
Handlebar	Phoenix Team Low Rise Carbon - 800mm
Grips	Phoenix Team Padloc
Stem	Phoenix Team Enduro/Trail - 45mm
Seatpost	KS LEV 125mm (SM), KS RAGE I 150mm (MD), Fox Transfer 150mm (LG) Fox Transfer 175mm (XL)
Saddle	Phoenix WTB Team High Tail Trail
Cassette	Sram X01 XG-1295 10-50t
Wheels	Reynolds Blacklabel Enduro Wide Trail w/ Industry Nine hub, 34mm - 29"
Wheel upgrade	-
Tires	Maxxis Minion DHF 29" x 2.5" WT, TR, 3C, EXO, MAXXTERRA Maxxis Minion DHR11 29" x 2.4" WT, TR, 3C, EXO, MAXXTERRA
Rotor	Sram Centerline CenterLock - 180mm Sram Centerline CenterLock - 180mm
Chain	Sram X01 12-Speed
Size	SM / MD / LG / XL

Colore Sandstorm / Blue



	SM	MD	LG	XL
A Seat Tube Length (C-T)	39,4 cm	42,5 cm	45,7 cm	49,5 cm
B Top Tube Length	59,4 cm	62,4 cm	64,6 cm	66,9 cm
C Head Tube Length	9,5 cm	10,5 cm	11,5 cm	12,5 cm
D Head Tube Angle	65,5°	65,5°	65,5°	65,5°
E Seat Tube Angle	75°	75°	75°	75°
F Chainstay Length	42,9 cm	42,9 cm	42,9 cm	42,9 cm
G Bottom Bracket Height	35,4 cm	35,4 cm	35,4 cm	35,4 cm
H Standover Height	68,9 cm	69,5 cm	70,9 cm	71,9 cm
I Wheelbase	118,5 cm	121,6 cm	124,0 cm	126,5 cm
J Stack	60,1 cm	60,9 cm	61,8 cm	62,7 cm
K Reach	43,3 cm	46,0 cm	48,0 cm	50,0 cm

Prezzo telaio + guarnitura + mov. + corona

€
4.799

Prezzo bici Pro X01 Carbon Wheels

€
9.999

FIREBIRD 29

PRO X01

Frame	Firebird 29
Wheel size	29"
Rear shock	Fox Factory Float X2
Fork	Fox Factory 36 29", 44mm offset, GRIP2 - 170mm
Headset	Pivot Precision Sealed Cartridge
Rear der	Sram X01 12-Speed
Chain guide	-
Shifters	Sram X01 12-Speed
Brakes	Sram Code RSC 4-piston
Crankset	Sram X01 Eagle DUB 32t
Handlebar	Phoenix Team Low Rise Carbon - 800mm
Grips	Phoenix Team Padloc
Stem	Phoenix Team Enduro/Trail
Seatpost	KS LEV 125mm (SM), KS RAGE I 150mm (MD), Fox Transfer 150mm (LG) Fox Transfer 175mm (XL)
Saddle	Phoenix WTB Pro High Tail Trail
Cassette	Sram X01 XG-1295 10-50t
Wheels	DT Swiss M1700 w/ DT Swiss 350 hub & 36T Star Ratchet 30mm - 29"
Wheel upgrade	Reynolds Blacklabel Enduro Wide Trail w/ Industry Nine hub, 34mm - 29"
Tires	Maxxis Minion DHF 29" x 2.5" WT, TR, 3C, EXO, MAXXTERRA Maxxis Minion DHRII 29" x 2.4" WT, TR, 3C, EXO, MAXXTERRA
Rotor	Sram Centerline CenterLock - 180mm Sram Centerline CenterLock - 180mm
Chain	Sram X01 12-Speed
Size	SM / MD / LG / XL

PRO XT/XTR CARBON WHEELS

Frame	Firebird 29 Carbon
Wheel size	29"
Rear shock	Fox Factory Float X2
Fork	Fox Factory 36 29", 44mm offset, GRIP2 - 170mm
Headset	Pivot Precision Sealed Cartridge
Rear der	Shimano XTR GS 12-Speed
Chain guide	-
Shifters	Shimano XT M8100 12-Speed
Brakes	Shimano XT M8120 4-Piston
Crankset	Race Face Aeffect 32t
Handlebar	Phoenix Team Low Rise Carbon - 800mm
Grips	Phoenix Team Padloc
Stem	Phoenix Team Enduro/Trail - 45mm
Seatpost	KS LEV 125mm (SM), KS RAGE I 150mm (MD), Fox Transfer 150mm (LG) Fox Transfer 175mm (XL)
Saddle	Phoenix WTB Pro High Tail Trail
Cassette	Shimano XT M8100 10-51t
Wheels	Reynolds Blacklabel Enduro Wide Trail w/ Industry Nine hub, 34mm - 29"
Wheel upgrade	-
Tires	Maxxis Minion DHF 29" x 2.5" WT, TR, 3C, EXO, MAXXTERRA Maxxis Minion DHRII 29" x 2.4" WT, TR, 3C, EXO, MAXXTERRA
Rotor	Sram Centerline CenterLock - 180mm Sram Centerline CenterLock - 180mm
Chain	Shimano M8100 12-Speed
Size	SM / MD / LG / XL

PRO XT/XTR

Frame	Firebird 29 Carbon
Wheel size	29"
Rear shock	Fox Factory Float X2
Fork	Fox Factory 36 29", 44mm offset, GRIP2 - 170mm
Headset	Pivot Precision Sealed Cartridge
Rear der	Shimano XTR GS 12-Speed
Chain guide	-
Shifters	Shimano XT M8100 12-Speed
Brakes	Shimano XT M8120 4-Piston
Crankset	Race Face Aeffect 32t
Handlebar	Phoenix Team Low Rise Carbon - 800mm
Grips	Phoenix Team Padloc
Stem	Phoenix Team Enduro/Trail - 45mm
Seatpost	KS LEV 125mm (SM), KS RAGE I 150mm (MD), Fox Transfer 150mm (LG) Fox Transfer 175mm (XL)
Saddle	Phoenix WTB Pro High Tail Trail
Cassette	Shimano XT M8100 10-51t
Wheels	DT Swiss M1700 w/ DT Swiss 350 hub, 30mm - 29"
Wheel upgrade	-
Tires	Maxxis Minion DHF 29" x 2.5" WT, TR, 3C, EXO, MAXXTERRA Maxxis Minion DHRII 29" x 2.4" WT, TR, 3C, EXO, MAXXTERRA
Rotor	Sram Centerline CenterLock - 180mm Sram Centerline CenterLock - 180mm
Chain	Shimano M8100 12-Speed
Size	SM / MD / LG / XL

RACE X01

Frame	Firebird 29
Wheel size	29"
Rear shock	Fox Performance DPX2
Fork	Fox Performance 36 29", 44mm offset, GRIP - 170mm
Headset	Pivot Precision Sealed Cartridge
Rear der	Sram X01 12-Speed
Chain guide	-
Shifters	Sram GX1 12-Speed
Brakes	Sram Code R 4-piston
Crankset	Sram GX Eagle DUB 32t
Handlebar	Phoenix Team Low Rise Aluminium - 800mm
Grips	Phoenix Team Padloc
Stem	Phoenix Team Enduro/Trail - 45mm
Seatpost	KS LEV 125mm (SM), KS RAGE I 150mm (MD), Fox Transfer 150mm (LG) Fox Transfer 175mm (XL)
Saddle	Phoenix WTB Race High Tail Trail
Cassette	Sram GX1 XG-1275 10-50t
Wheels	DT Swiss M1900 w/ DT Swiss 370 hub, 30mm - 29"
Wheel upgrade	-
Tires	Maxxis Minion DHF 29" x 2.5" WT, TR, 3C, EXO, MAXXTERRA Maxxis Minion DHRII 29" x 2.4" WT, TR, 3C, EXO, MAXXTERRA
Rotor	Sram Centerline 6-Bolt - 180mm Sram Centerline 6-Bolt - 180mm
Chain	Sram GX1 12-Speed
Size	SM / MD / LG / XL

Prezzo bici Pro X01

€
8.799

Prezzo bici Pro XT/XTR Carbon Wheels

€
9.399

Prezzo bici Pro XT/XTR

€
7.899

Prezzo bici Race X01

€
6.699



FIREBIRD 29

RACE XT 12V

Frame	Firebird 29 Carbon
Wheel size	29"
Rear shock	Fox Performance DPX2
Fork	Fox Performance 36 29", 44mm offset, GRIP - 170mm
Headset	Pivot Precision Sealed Cartridge
Rear der	Shimano XT GS 12-Speed
Chain guide	-
Shifters	Shimano SLX M7100 12-Speed
Brakes	Shimano MT520 4-piston
Crankset	Race Face Aeffect SL 30t
Handlebar	Phoenix Race Low Rise Aluminum - 800mm
Grips	Phoenix Team Padloc
Stem	Phoenix Team Enduro/Trail - 45mm
Seatpost	KS LEV 125mm (SM), KS RAGE I 150mm (MD), Fox Transfer 150mm (LG) Fox Transfer 175mm (XL)
Saddle	Phoenix WTB Race High Tail Trail
Cassette	Shimano SLX M-7100 10-51t
Wheels	DT Swiss M1900 w/ DT Swiss 370 hub, 30mm - 29"
Wheel upgrade	-
Tires	Maxxis Minion DHF 29" x 2.5" WT, TR, 3C, EXO, MAXXTERRA Maxxis Minion DHRII 29" x 2.4" WT, TR, 3C, EXO, MAXXTERRA
Rotor	Shimano SLX 6-bolt - 180mm Shimano SLX 6-bolt - 180mm
Chain	Sram PC-1110 11-Speed
Size	SM / MD / LG / XL

Prezzo bici Race XT 12V

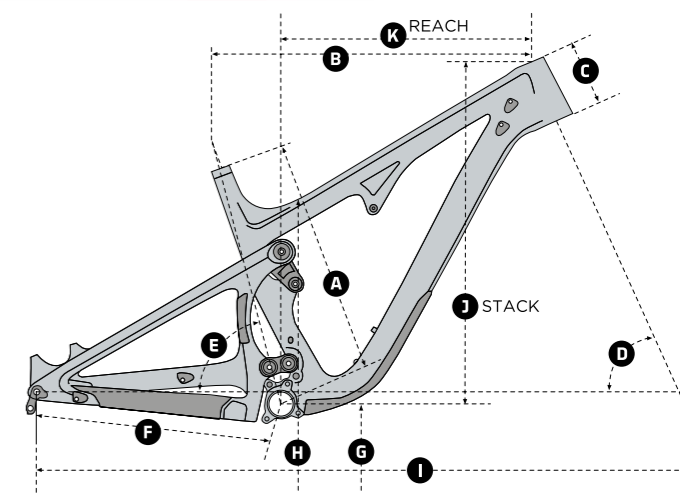
€
6.499



TEAM XX1 AXS FOX LIVE CARBON WHEELS

Frame	Mach 5.5 Carbon
Wheel size	27.5"
Rear shock	Fox Factory Live Valve
Fork	Fox Factory Live 36 27.5", 44mm offset, FIT LIVE - 160mm
Headset	Pivot Precision Sealed Cartridge
Rear der	Shimano XTR M9100 SGS 12-Speed
Shifters	Shimano XTR M9100 ISPEC 12-Speed
Brakes	Shimano XTR M9120
Crankset	Race Face Next R 32t
Handlebar	Phoenix Team Low Rise Carbon - 760mm
Grips	Phoenix Team Padloc
Stem	Phoenix Team Enduro/Trail - 55mm
Seatpost	KS LEV 100mm (XS), KS LEV 125mm (SM), KS RAGE I 150mm (MD, LG), Fox Transfer 150mm (XL)
Saddle	Phoenix WTB Team Vigo
Cassette	Shimano XTR M9100 10-51t
Wheels	Reynolds Blacklabel Enduro w/ DT Swiss hub, 34mm - 27.5"
Wheel upgrade	-
Tires	Maxxis Minion 27.5" x 2.6" TR, EXO Maxxis Rekon 27.5" x 2.6" TR, EXO
Rotors	Shimano XTR CenterLock - 180mm Shimano XTR CenterLock - 180mm
Chain	Shimano CN-M9100 12-Speed
Size	XS / SM / MD / LG / XL

Colore Bass Boat Blue / Red Satin / Matte Black



	XS	SM	MD	LG	XL
A Seat Tube Length (C-T)	35,56 cm	39,37 cm	42,55 cm	45,72 cm	49,53 cm
B Top Tube Length	55,78 cm	58,39 cm	61,67 cm	63,93 cm	66,70 cm
C Head Tube Length	8,99 cm	10,49 cm	11,51 cm	12,50 cm	13,49 cm
D Head Tube Angle	66,5°	66,5°	66,5°	66,5°	66,5°
E Seat Tube Angle (Eff.)	73,8°	73,5°	73,5°	73,5°	73,5°
F Chainstay Length	43,00 cm	43,00 cm	43,00 cm	43,00 cm	43,00 cm
G Bottom Bracket Height	34,04 cm	34,04 cm	34,04 cm	34,04 cm	34,04 cm
H Standover Height	68,58 cm	69,04 cm	69,09 cm	69,16 cm	71,12 cm
I Wheelbase	111,63 cm	114,25 cm	117,65 cm	120,04 cm	122,94 cm
J Stack	58,24 cm	59,64 cm	60,55 cm	61,49 cm	62,43 cm
K Reach	38,99 cm	41,00 cm	43,99 cm	46,00 cm	48,49 cm

Prezzo telaio

€
3.699

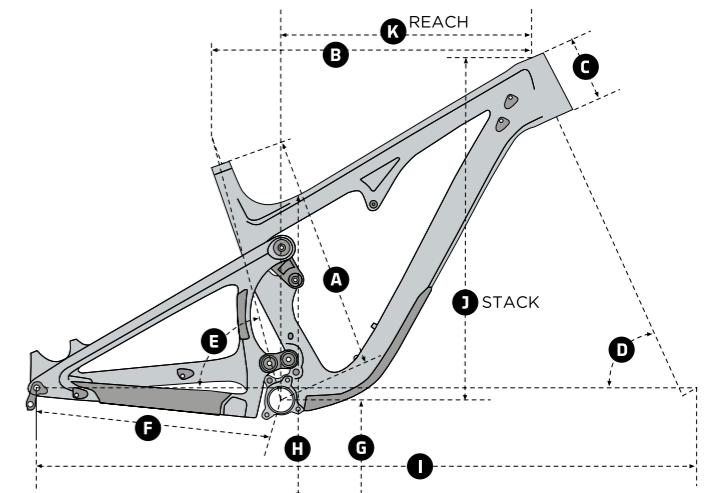
Prezzo bici Team XX1 AXS Fox Live Carbon Wheels

€
14.499



TEAM XX1 AXS CARBON WHEELS

Frame	Mach 5.5 Carbon
Wheel size	27.5"
Rear shock	Fox Factory Float DPX2
Fork	Fox Factory Live 36 27.5", 44mm offset, FIT4 - 160mm
Headset	Pivot Precision Sealed Cartridge
Rear der	Sram XX1 Eagle AXS
Shifters	Sram XX1 Eagle AXS
Brakes	Sram Guide Ultimate
Crankset	Sram XX1 Eagle DUB SL 32t - 175mm
Handlebar	Phoenix Team Low Rise Carbon - 760mm
Grips	Phoenix Team Padloc
Stem	Phoenix Team Enduro/Trail - 45mm (XS, SM), 55mm (MD-XL)
Seatpost	Rock Shox Reverb AXS 100mm (XS), 125mm (SM), 150mm (MD-XL)
Saddle	Phoenix WTB Team Vigo
Cassette	Sram XX1 XG-1299 10-50t
Wheels	Reynolds Blacklabel Enduro w/ Industry Nine hub, 34mm - 27.5"
Wheel upgrade	-
Tires	Maxxis Minion 27.5" x 2.6" TR, EXO Maxxis Rekon 27.5" x 2.6" TR, EXO
Rotors	Sram Centerline CenterLock - 180mm Sram Centerline CenterLock - 180mm
Chain	Sram XX1 12-Speed
Size	XS / SM / MD / LG / XL



	XS	SM	MD	LG	XL
A Seat Tube Length (C-T)	35,56 cm	39,37 cm	42,55 cm	45,72 cm	49,53 cm
B Top Tube Length	55,78 cm	58,39 cm	61,67 cm	63,93 cm	66,70 cm
C Head Tube Length	8,99 cm	10,49 cm	11,51 cm	12,50 cm	13,49 cm
D Head Tube Angle	66,5°	66,5°	66,5°	66,5°	66,5°
E Seat Tube Angle (Eff.)	73,8°	73,5°	73,5°	73,5°	73,5°
F Chainstay Length	43,00 cm	43,00 cm	43,00 cm	43,00 cm	43,00 cm
G Bottom Bracket Height	34,04 cm	34,04 cm	34,04 cm	34,04 cm	34,04 cm
H Standover Height	68,58 cm	69,04 cm	69,09 cm	69,16 cm	71,12 cm
I Wheelbase	111,63 cm	114,25 cm	117,65 cm	120,04 cm	122,94 cm
J Stack	58,24 cm	59,64 cm	60,55 cm	61,49 cm	62,43 cm
K Reach	38,99 cm	41,00 cm	43,99 cm	46,00 cm	48,49 cm

Colore Bass Boat Blue / Red Satin / Matte Black

Prezzo telaio

€ 3.699

Prezzo bici Team XX1 AXS Carbon Wheels

€ 11.499

PRO X01 CARBON WHEELS

Frame	Mach 5.5 Carbon
Wheel size	27.5"
Rear shock	Fox Factory Float DPX2
Fork	Fox Factory Live 36 27.5", 44mm offset, FIT4 - 160mm
Headset	Pivot Precision Sealed Cartridge
Rear der	Sram X01 12-Speed
Shifters	Sram X01 12-Speed
Brakes	Sram G2 RSC
Crankset	Sram X01 Eagle DUB 32t
Handlebar	Phoenix Team Low Rise Carbon - 760mm
Grips	Phoenix Team Padloc
Stem	Phoenix Team Enduro/Trail - 45mm (XS, SM), 55mm (MD-XL)
Seatpost	KS LEV 100mm (XS), KS LEV 125mm (SM), KS RAGE I 150mm (MD), Fox Transfer 150mm (LG,XL)
Saddle	Phoenix WTB Pro Vigo
Cassette	Sram X01 XG-1295 10-50t
Wheels	Reynolds Blacklabel Enduro w/ Industry Nine hub, 34mm - 27.5"
Wheel upgrade	-
Tires	Maxxis Minion 27.5" x 2.6" TR, EXO Maxxis Rekon 27.5" x 2.6" TR, EXO
Rotors	Sram Centerline CenterLock - 180mm Sram Centerline CenterLock - 180mm
Chain	Sram X01 12-Speed
Size	XS / SM / MD / LG / XL

PRO X01

Frame	Mach 5.5 Carbon
Wheel size	27.5"
Rear shock	Fox Factory Float DPX2
Fork	Fox Factory Live 36 27.5", 44mm offset, FIT4 - 160mm
Headset	Pivot Precision Sealed Cartridge
Rear der	Sram X01 12-Speed
Shifters	Sram X01 12-Speed
Brakes	Sram G2 RSC
Crankset	Sram X01 Eagle DUB 32t
Handlebar	Phoenix Team Low Rise Carbon - 760mm
Grips	Phoenix Team Padloc
Stem	Phoenix Team Enduro/Trail - 45mm (XS, SM), 55mm (MD-XL)
Seatpost	KS LEV 100mm (XS), KS LEV 125mm (SM), KS RAGE I 150mm (MD), Fox Transfer 150mm (LG,XL)
Saddle	Phoenix WTB Pro Vigo
Cassette	Sram X01 XG-1295 10-50t
Wheels	DT Swiss M1700 w/ DT Swiss 350 hub, 35mm - 27.5"
Wheel upgrade	-
Tires	Maxxis Minion 27.5" x 2.6" TR, EXO Maxxis Rekon 27.5" x 2.6" TR, EXO
Rotors	Sram Centerline CenterLock - 180mm Sram Centerline CenterLock - 180mm
Chain	Sram X01 12-Speed
Size	XS / SM / MD / LG / XL

PRO XT/XTR CARBON WHEELS

Frame	Mach 5.5 Carbon
Wheel size	27.5"
Rear shock	Fox Factory Float DPX2
Fork	Fox Factory Live 36 27.5", 44mm offset, FIT4 - 160mm
Headset	Pivot Precision Sealed Cartridge
Rear der	Shimano XTR GS 12-Speed
Shifters	Shimano XT M8100 12-Speed
Brakes	Shimano XT M8120 4-Piston
Crankset	Race Face Aeffect 32t
Handlebar	Phoenix Team Low Rise Carbon - 760mm
Grips	Phoenix Team Padloc
Stem	Phoenix Team Enduro/Trail - 45mm (XS, SM), 55mm (MD-XL)
Seatpost	KS LEV 100mm (XS), KS LEV 125mm (SM), KS RAGE I 150mm (MD), Fox Transfer 150mm (LG,XL)
Saddle	Phoenix WTB Pro Vigo
Cassette	Shimano XT M8100 10-51t
Wheels	Reynolds Blacklabel Enduro w/ Industry Nine hub, 34mm - 27.5"
Wheel upgrade	-
Tires	Maxxis Minion 27.5" x 2.6" TR, EXO Maxxis Rekon 27.5" x 2.6" TR, EXO
Rotors	Shimano XT CenterLock - 180mm Shimano XT CenterLock - 180mm
Chain	Shimano M8100 12-Speed
Size	XS / SM / MD / LG / XL

PRO XT/XTR

Frame	Mach 5.5 Carbon
Wheel size	27.5"
Rear shock	Fox Factory Float DPX2
Fork	Fox Factory Live 36 27.5", 44mm offset, FIT4 - 160mm
Headset	Pivot Precision Sealed Cartridge
Rear der	Shimano XTR GS 12-Speed
Shifters	Shimano XT M8100 12-Speed
Brakes	Shimano XT M8120 4-Piston
Crankset	Race Face Aeffect 32t
Handlebar	Phoenix Team Low Rise Carbon - 760mm
Grips	Phoenix Team Padloc
Stem	Phoenix Team Enduro/Trail - 45mm (XS, SM), 55mm (MD-XL)
Seatpost	KS LEV 100mm (XS), KS LEV 125mm (SM), KS RAGE I 150mm (MD), Fox Transfer 150mm (LG,XL)
Saddle	Phoenix WTB Pro Vigo
Cassette	Shimano XT M8100 10-51t
Wheels	DT Swiss M1700 w/ DT Swiss 350 hub, 35mm - 27.5"
Wheel upgrade	-
Tires	Maxxis Minion 27.5" x 2.6" TR, EXO Maxxis Rekon 27.5" x 2.6" TR, EXO
Rotors	Shimano XT CenterLock - 180mm Shimano XT CenterLock - 180mm
Chain	Shimano M8100 12-Speed
Size	XS / SM / MD / LG / XL

Prezzo bici Pro X01 Carbon Wheels

€ 9.799

Prezzo bici Pro X01

€ 8.399

Prezzo bici Pro XT/XTR Carbon Wheels

€ 8.999

Prezzo bici Pro XT/XTR

€ 7.599



MACH 5.5

RACE XO1

Frame	Mach 5.5 Carbon
Wheel size	27.5"
Rear shock	Fox Performance Float DPS
Fork	Fox Performance 36 27.5", 44mm offset, GRIP - 160mm
Headset	Pivot Semi-Sealed Cartridge
Rear der	Sram X01 12-Speed
Shifters	Sram GX1 12-Speed
Brakes	Sram Guide RE
Crankset	Sram GX Eagle DUB 32t
Handlebar	Phoenix Race Low Rise Aluminium - 760mm
Grips	Phoenix Team Padloc
Stem	Phoenix Team Enduro/Trail - 45mm (XS, SM), 55mm (MD-XL)
Seatpost	KS LEV 100mm (XS), KS LEV 125mm (SM), KS RAGE I 150mm (MD), Fox Transfer 150mm (LG,XL)
Saddle	Phoenix WTB Race Vigo
Cassette	Sram GX1 XG-1275 10-50t
Wheels	SUNringlé Düroc 40 w/ SUNringlé SRC hub, 40mm - 27.5"
Wheel upgrade	-
Tires	Maxxis Minion 27.5" x 2.6" TR, EXO Maxxis Rekon 27.5" x 2.6" TR, EXO
Rotors	Sram Centerline 6-Bolt - 180mm Sram Centerline 6-Bolt - 180mm
Chain	Sram X01 12-Speed
Size	XS / SM / MD / LG / XL

Prezzo bici Race XO1

€
6.499

RACE XT 12-SPEED

Frame	Mach 5.5 Carbon
Wheel size	27.5"
Rear shock	Fox Performance Float DPS
Fork	Fox Performance 36 27.5", 44mm offset, GRIP - 160mm
Headset	Pivot Semi-Sealed Cartridge
Rear der	Shimano XT SGS 12-Speed
Shifters	Shimano SLX M7100 12-Speed
Brakes	Shimano SLX M7120 4-piston
Crankset	Race Face Ride 32T
Handlebar	Phoenix Race Low Rise Aluminum - 750mm
Grips	Phoenix Team Padloc
Stem	Phoenix Team Enduro/Trail
Seatpost	KS LEV 100mm (XS), KS LEV 125mm (SM), KS RAGE I 150mm (MD), Fox Transfer 150mm (LG,XL)
Saddle	Phoenix WTB Race Vigo
Cassette	Shimano SLX M7100 10-51T
Wheels	SUNringlé Düroc 40 w/ SUNringlé SRC hub, 40mm - 27.5"
Wheel upgrade	-
Tires	Maxxis Minion 27.5" x 2.6" TR, EXO Maxxis Rekon 27.5" x 2.6" TR, EXO
Rotors	Shimano SLX 6-bolt - 180mm Shimano SLX 6-bolt - 180mm
Chain	Shimano CN-M7100 12-Speed
Size	XS / SM / MD / LG / XL

Prezzo bici Race XT 12-Speed

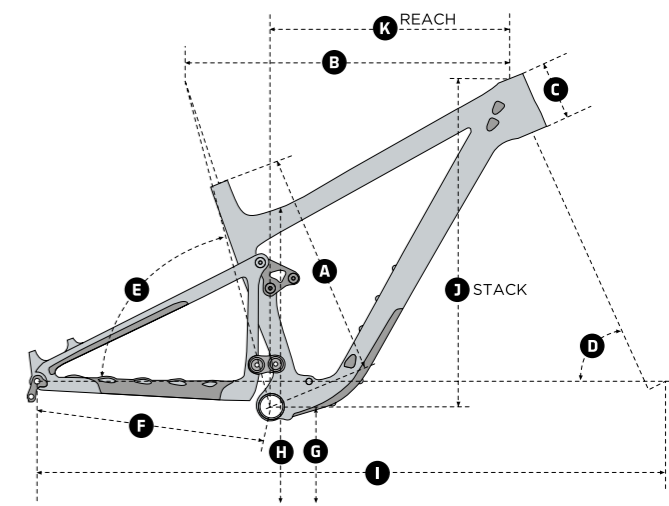
€
6.499



WC XTR FOX LIVE VALVE CARBON WHEELS

Frame	Mach 4 SL Carbon
Wheel size	29"
Rear shock	Fox Factory Live Valve
Fork	Fox Factory Stepcast Live 32 29", 44mm offset, FIT LIVE - 100mm
Headset	Pivot Precision Sealed Integrated Cartridge
Rear der	Shimano XTR M9100 SGS 12-Speed
Shifters	Shimano XTR M9100 ISPEC 12-Speed
Brakes	Shimano XTR M9100
Crankset	Race Face Next SL 34T
Handlebar	Phoenix Team Flat Carbon - 760mm
Grips	Phoenix Team Padloc
Stem	Phoenix Team XC/Trail - 75mm
Seatpost	Phoenix Team Carbon
Saddle	Phoenix WTB World Cup Volt - carbon rails
Cassette	Shimano XTR M9100 10-51T
Wheels	DT Swiss XRC 1200 SPLINE w/ 36T star ratchet, 25mm - 29"
Wheel upgrade	-
Tires	Maxxis Aspen 29" x 2.25" TR, EXO - w/ Stan's Sealant Maxxis Aspen 29" x 2.25" TR, EXO - w/ Stan's Sealant
Rotors	Shimano XTR CenterLock - 160mm Shimano XTR CenterLock - 160mm
Chain	Shimano M9100 12-Speed
Size	XS / SM / MD / LG / XL

Colore Black/Blue - Black/Red - Black



	XS	SM	MD	LG	XL
A Seat Tube Length (C-T)	35,6 cm	39,4 cm	41,9 cm	45,7 cm	50,2 cm
B Top Tube Length	57,1 cm	58,4 cm	61,3 cm	63,6 cm	66,6 cm
C Head Tube Length	8,5 cm	9,5 cm	10,8 cm	11,9 cm	14,0 cm
D Head Tube Angle	68,50°	68,50°	68,50°	68,50°	68,50°
E Seat Tube Angle (Eff.)	74,50°	74,50°	74,50°	74,50°	74,50°
F Chainstay Length	43,1 cm	43,1 cm	43,1 cm	43,1 cm	43,1 cm
G Bottom Bracket Height	32,5 cm	32,5 cm	32,5 cm	32,5 cm	32,5 cm
H Standover Height	61,3 cm	65,2 cm	68,4 cm	68,7 cm	71,1 cm
I Wheelbase	109,3 cm	110,6 cm	113,6 cm	116,0 cm	119,3 cm
J Stack	58,0 cm	59,0 cm	60,2 cm	61,2 cm	63,1 cm
K Reach	40,5 cm	41,5 cm	44,0 cm	46,0 cm	48,5 cm

Prezzo telaio € 3.699

Prezzo bici WC XTR Fox Live Carbon Wheels € 11.999

MACH 4 SL

WC XTR CARBON WHEELS

Frame	Mach 4 SL Carbon
Wheel size	29"
Rear shock	Fox Factory DPS w/ Remote
Fork	Fox Factory Stepcast 32 29" w/ Remote, 44mm offset - 100mm
Headset	Pivot Precision Sealed Integrated Cartridge
Rear der	Shimano XTR M9100 SGS 12-Speed
Shifters	Shimano XTR M9100 ISPEC 12-Speed
Brakes	Shimano XTR M9100
Crankset	Race Face Next SL 34T
Handlebar	Phoenix Team Flat Carbon - 760mm
Grips	Phoenix Team Padloc
Stem	Phoenix Team XC/Trail - 75mm
Seatpost	Phoenix Team Carbon
Saddle	Phoenix WTB Team Volt
Cassette	Shimano XTR M9100 10-51T
Wheels	DT Swiss XRC 1200 SPLINE w/ 36T star ratchet, 25mm - 29"
Wheel upgrade	-
Tires	Maxxis Aspen 29" x 2.25" TR, EXO - w/ Stan's Sealant Maxxis Aspen 29" x 2.25" TR, EXO - w/ Stan's Sealant
Rotors	Shimano XTR CenterLock - 160mm Shimano XTR CenterLock - 160mm
Chain	Shimano M9100 12-Speed
Size	XS / SM / MD / LG / XL

WC XX1 AXS FOX LIVE CARBON WHEELS

Frame	Mach 4 SL Carbon
Wheel size	29"
Rear shock	Fox Factory Live Valve
Fork	Fox Factory Stepcast Live 32 29", 44mm offset, FIT LIVE - 100mm
Headset	Pivot Precision Sealed Integrated Cartridge
Rear der	Sram XX1 Eagle AXS
Shifters	Sram XX1 Eagle AXS
Brakes	Sram Guide Ultimate
Crankset	Sram XX1 Eagle DUB SL 32T
Handlebar	Phoenix Team Flat Carbon - 760mm
Grips	Phoenix Team Padloc
Stem	Phoenix Team XC/Trail - 75mm
Seatpost	Phoenix Team Carbon
Saddle	Phoenix WTB World Cup Volt - carbon rails
Cassette	Sram XX1 XG-1299 10-50T
Wheels	DT Swiss XRC 1200 SPLINE w/ 36T star ratchet, 25mm - 29"
Wheel upgrade	-
Tires	Maxxis Aspen 29" x 2.25" TR, EXO - w/ Stan's Sealant Maxxis Aspen 29" x 2.25" TR, EXO - w/ Stan's Sealant
Rotors	Sram CenterLine CenterLock - 160mm Sram CenterLine CenterLock - 160mm
Chain	Sram XX1 12-Speed
Size	XS / SM / MD / LG / XL

WC XX1 AXS CARBON WHEELS

Frame	Mach 4 SL Carbon
Wheel size	29"
Rear shock	Fox Factory DPS w/ Remote
Fork	Fox Factory Stepcast 32 29" w/ Remote, 44mm offset - 100mm
Headset	Pivot Precision Sealed Integrated Cartridge
Rear der	Sram XX1 Eagle AXS
Shifters	Sram XX1 Eagle AXS
Brakes	Sram Guide Ultimate
Crankset	Sram XX1 Eagle DUB SL 32T
Handlebar	Phoenix Team Flat Carbon - 760mm
Grips	Phoenix Team Padloc
Stem	Phoenix Team XC/Trail - 75mm
Seatpost	Phoenix Team Carbon
Saddle	Phoenix WTB World Cup Volt - carbon rails
Cassette	Sram XX1 XG-1299 10-50T
Wheels	DT Swiss XRC 1200 SPLINE w/ 36T star ratchet, 25mm - 29"
Wheel upgrade	-
Tires	Maxxis Aspen 29" x 2.25" TR, EXO - w/ Stan's Sealant Maxxis Aspen 29" x 2.25" TR, EXO - w/ Stan's Sealant
Rotors	Sram CenterLine CenterLock - 160mm Sram CenterLine CenterLock - 160mm
Chain	Sram XX1 12-Speed
Size	XS / SM / MD / LG / XL

TEAM XTR FOX LIVE CARBON WHEELS

Frame	Mach 4 SL Carbon
Wheel size	29"
Rear shock	Fox Factory Live Valve
Fork	Fox Factory Stepcast Live 34 29", 44mm offset, FIT LIVE - 120mm
Headset	Pivot Precision Sealed Integrated Cartridge
Rear der	Shimano XTR M9100 SGS 12-Speed
Shifters	Shimano XTR M9100 ISPEC 12-Speed
Brakes	Shimano XTR M9100
Crankset	Race Face Next SL 34T
Handlebar	Phoenix Team Flat Carbon - 760mm
Grips	Phoenix Team Padloc
Stem	Phoenix Team XC/Trail - 75mm
Seatpost	Phoenix Team Carbon
Saddle	Phoenix WTB Team Volt
Cassette	Shimano XTR M9100 10-51T
Wheels	DT Swiss XRC 1200 SPLINE w/ 36T star ratchet, 25mm - 29"
Wheel upgrade	-
Tires	Maxxis Ardent Race 29" x 2.2" TR, EXO - w/ Stan's Sealant Maxxis Ardent Race 29" x 2.2" TR, EXO - w/ Stan's Sealant
Rotors	Shimano XTR CenterLock - 160mm Shimano XTR CenterLock - 160mm
Chain	Shimano M9100 12-Speed
Size	XS / SM / MD / LG / XL

Prezzo bici WC XTR Carbon Wheels

€
9.499

Prezzo bici WC XX1 AXS Fox Live Carbon Wheels

€
12.999

Prezzo bici WC XX1 AXS Carbon Wheels

€
10.499

Prezzo bici Team XTR Fox Live Carbon Wheels

€
11.999

MACH 4 SL

TEAM XTR CARBON WHEELS

Frame	Mach 4 SL Carbon
Wheel size	29"
Rear shock	Fox Factory DPS w/ Remote
Fork	Fox Factory Stepcast 34 29" w/ Remote, 44mm offset - 120mm
Headset	Pivot Precision Sealed Integrated Cartridge
Rear der	Shimano XTR M9100 SGS 12-Speed
Shifters	Shimano XTR M9100 ISPEC 12-Speed
Brakes	Shimano XTR M9100
Crankset	Race Face Next SL 34T
Handlebar	Phoenix Team Flat Carbon - 760mm
Grips	Phoenix Team Padloc
Stem	Phoenix Team XC/Trail - 75mm
Seatpost	KS 100mm (XS), Fox Transfer 125mm (SM-LG), Fox Transfer 150mm (XL)
Saddle	Phoenix WTB Team Volt
Cassette	Shimano XTR M9100 10-51T
Wheels	DT Swiss XRC 1200 SPLINE w/ 36T star ratchet, 25mm - 29"
Wheel upgrade	-
Tires	Maxxis Ardent Race 29" x 2.2" TR, EXO - w/ Stan's Sealant Maxxis Ardent Race 29" x 2.2" TR, EXO - w/ Stan's Sealant
Rotors	Shimano XTR CenterLock - 160mm Shimano XTR CenterLock - 160mm
Chain	Shimano M9100 12-Speed
Size	XS / SM / MD / LG / XL

TEAM XX1 AXS FOX LIVE CARBON WHEELS

Frame	Mach 4 SL Carbon
Wheel size	29"
Rear shock	Fox Factory Live Valve
Fork	Fox Factory Stepcast Live 34 29", 44mm offset, FIT LIVE - 120mm
Headset	Pivot Precision Sealed Integrated Cartridge
Rear der	Sram XX1 Eagle AXS
Shifters	Sram XX1 Eagle AXS
Brakes	Sram Guide Ultimate
Crankset	Sram XX1 Eagle DUB SL 32T
Handlebar	Phoenix Team Flat Carbon - 760mm
Grips	Phoenix Team Padloc
Stem	Phoenix Team XC/Trail - 75mm
Seatpost	KS 100mm (XS), Fox Transfer 125mm (SM-LG), Fox Transfer 150mm (XL)
Saddle	Phoenix WTB Team Volt
Cassette	Sram XX1 XG-1299 10-50T
Wheels	DT Swiss XRC 1200 SPLINE w/ 36T star ratchet, 25mm - 29"
Wheel upgrade	-
Tires	Maxxis Ardent Race 29" x 2.2" TR, EXO - w/ Stan's Sealant Maxxis Ardent Race 29" x 2.2" TR, EXO - w/ Stan's Sealant
Rotors	Sram CenterLine CenterLock - 160mm Sram CenterLine CenterLock - 160mm
Chain	Sram XX1 12-Speed
Size	XS / SM / MD / LG / XL

TEAM XX1 AXS CARBON WHEELS

Frame	Mach 4 SL Carbon
Wheel size	29"
Rear shock	Fox Factory DPS w/ Remote
Fork	Fox Factory Stepcast 34 29" w/ Remote, 44mm offset - 120mm
Headset	Pivot Precision Sealed Integrated Cartridge
Rear der	Sram XX1 Eagle AXS
Shifters	Sram XX1 Eagle AXS
Brakes	Sram Guide Ultimate
Crankset	Sram XX1 Eagle DUB SL 32T
Handlebar	Phoenix Team Flat Carbon - 760mm
Grips	Phoenix Team Padloc
Stem	Phoenix Team XC/Trail - 75mm
Seatpost	KS 100mm (XS), Fox Transfer 125mm (SM-LG), Fox Transfer 150mm (XL)
Saddle	Phoenix WTB Team Volt
Cassette	Sram XX1 XG-1299 10-50T
Wheels	DT Swiss XRC 1200 SPLINE w/ 36T star ratchet, 25mm - 29"
Wheel upgrade	-
Tires	Maxxis Ardent Race 29" x 2.2" TR, EXO - w/ Stan's Sealant Maxxis Ardent Race 29" x 2.2" TR, EXO - w/ Stan's Sealant
Rotors	Sram CenterLine CenterLock - 160mm Sram CenterLine CenterLock - 160mm
Chain	Sram XX1 12-Speed
Size	XS / SM / MD / LG / XL

PRO X01 FOX LIVE CARBON WHEELS

Frame	Mach 4 SL Carbon
Wheel size	29"
Rear shock	Fox Factory Live Valve
Fork	Fox Factory Stepcast Live 34 29", 44mm offset, FIT LIVE - 120mm
Headset	Pivot Precision Sealed Integrated Cartridge
Rear der	Sram X01 12-Speed
Shifters	Sram X01 12-Speed
Brakes	Sram Level TLM
Crankset	Sram X01 Eagle DUB 32T
Handlebar	Phoenix Team Flat Carbon - 760mm
Grips	Phoenix Team Padloc
Stem	Phoenix Team XC/Trail - 75mm
Seatpost	KS 100mm (XS), Fox Transfer 125mm (SM-LG), Fox Transfer 150mm (XL)
Saddle	Phoenix WTB Pro Volt
Cassette	Sram XG-1275 10-50T
Wheels	DT Swiss M1700, w/ 36t star ratchet, 25mm - 29"
Wheel upgrade	-
Tires	Maxxis Ardent Race 29" x 2.2" TR, EXO - w/ Stan's Sealant Maxxis Ardent Race 29" x 2.2" TR, EXO - w/ Stan's Sealant
Rotors	Sram CenterLine CenterLock - 160mm Sram CenterLine CenterLock - 160mm
Chain	Sram X01 12-Speed
Size	XS / SM / MD / LG / XL

Prezzo bici Team XTR Carbon Wheels

€
9.499

Prezzo bici Team XX1 AXS Fox Live Carbon Wheels

€
12.999

Prezzo bici Team XX1 AXS Carbon Wheels

€
10.499

Prezzo bici Pro X01 Fox Live Carbon Wheels

€
11.999

PRO X01 FOX LIVE

Frame	Mach 4 SL Carbon
Wheel size	29"
Rear shock	Fox Factory Live Valve
Fork	Fox Factory Stepcast Live 34 29", 44mm offset, FIT LIVE - 120mm
Headset	Pivot Precision Sealed Integrated Cartridge
Rear der	Sram X01 12-Speed
Shifters	Sram X01 12-Speed
Brakes	Sram Level TLM
Crankset	Sram X01 Eagle DUB 32T
Handlebar	Phoenix Team Flat Carbon - 760mm
Grips	Phoenix Team Padloc
Stem	Phoenix Team XC/Trail - 75mm
Seatpost	KS 100mm (XS), Fox Transfer 125mm (SM-LG), Fox Transfer 150mm (XL)
Saddle	Phoenix WTB Pro Volt
Cassette	Sram XG-1275 10-50T
Wheels	DT Swiss M1700, w/ 36t star ratchet, 25mm - 29"
Wheel upgrade	DT Swiss XRC 1200 SPLINE w/ 36t star ratchet, 25mm - 29"
Tires	Maxxis Ardent Race 29" x 2.2" TR, EXO - w/ Stan's Sealant Maxxis Ardent Race 29" x 2.2" TR, EXO - w/ Stan's Sealant
Rotors	Sram CenterLine CenterLock - 160mm Sram CenterLine CenterLock - 160mm
Chain	Sram X01 12-Speed
Size	XS / SM / MD / LG / XL

PRO X01

Frame	Mach 4 SL Carbon
Wheel size	29"
Rear shock	Fox Factory DPS w/ Remote
Fork	Fox Factory Stepcast 34 29" w/ Remote, 44mm offset - 120mm
Headset	Pivot Precision Sealed Integrated Cartridge
Rear der	Sram X01 12-Speed
Shifters	Sram X01 12-Speed
Brakes	Sram Level TLM
Crankset	Sram X01 Eagle DUB 32T
Handlebar	Phoenix Team Flat Carbon - 760mm
Grips	Phoenix Team Padloc
Stem	Phoenix Team XC/Trail - 75mm
Seatpost	KS 100mm (XS), Fox Transfer 125mm (SM-LG), Fox Transfer 150mm (XL)
Saddle	Phoenix WTB Pro Volt
Cassette	Sram XG-1275 10-50T
Wheels	DT Swiss M1700, w/ 36t star ratchet, 25mm - 29"
Wheel upgrade	DT Swiss XRC 1200 SPLINE w/ 36t star ratchet, 25mm - 29"
Tires	Maxxis Ardent Race 29" x 2.2" TR, EXO - w/ Stan's Sealant Maxxis Ardent Race 29" x 2.2" TR, EXO - w/ Stan's Sealant
Rotors	Sram CenterLine CenterLock - 160mm Sram CenterLine CenterLock - 160mm
Chain	Sram X01 12-Speed
Size	XS / SM / MD / LG / XL

PRO XT/XTR FOX LIVE CARBON WHEELS

Frame	Mach 4 SL Carbon
Wheel size	29"
Rear shock	Fox Factory Live Valve
Fork	Fox Factory Stepcast Live 34 29", 44mm offset, FIT LIVE - 120mm
Headset	Pivot Precision Sealed Integrated Cartridge
Rear der	Shimano XTR M9000 GS 11-Speed
Shifters	Shimano XT M8000 11-Speed
Brakes	Shimano XT M8000
Crankset	Race Face Aeffect 30T
Handlebar	Phoenix Team Flat Carbon - 760mm
Grips	Phoenix Team Padloc
Stem	Phoenix Team XC/Trail - 75mm
Seatpost	KS 100mm (XS), Fox Transfer 125mm (SM-LG), Fox Transfer 150mm (XL)
Saddle	Phoenix WTB Pro Volt
Cassette	Shimano XT M8000 11-46T
Wheels	DT Swiss M1700, w/ 36t star ratchet, 25mm - 29"
Wheel upgrade	DT Swiss XRC 1200 SPLINE w/ 36t star ratchet, 25mm - 29"
Tires	Maxxis Ardent Race 29" x 2.2" TR, EXO - w/ Stan's Sealant Maxxis Ardent Race 29" x 2.2" TR, EXO - w/ Stan's Sealant
Rotors	Shimano XT CenterLock - 160mm Shimano XT CenterLock - 160mm
Chain	Shimano HG700 11-Speed
Size	XS / SM / MD / LG / XL

PRO XT/XTR FOX LIVE

Frame	Mach 4 SL Carbon
Wheel size	29"
Rear shock	Fox Factory Live Valve
Fork	Fox Factory Stepcast Live 34 29", 44mm offset, FIT LIVE - 120mm
Headset	Pivot Precision Sealed Integrated Cartridge
Rear der	Shimano XTR GS 12-Speed
Shifters	Shimano XT M8100 12-Speed
Brakes	Shimano XT M8100 2-Piston
Crankset	Race Face Aeffect 34T
Handlebar	Phoenix Team Flat Carbon - 760mm
Grips	Phoenix Team Padloc
Stem	Phoenix Team XC/Trail - 75mm
Seatpost	KS 100mm (XS), Fox Transfer 125mm (SM-LG), Fox Transfer 150mm (XL)
Saddle	Phoenix WTB Pro Volt
Cassette	Shimano XT M8100 10-51t
Wheels	DT Swiss M1700, w/ 36t star ratchet, 25mm - 29"
Wheel upgrade	DT Swiss XRC 1200 SPLINE w/ 36t star ratchet, 25mm - 29"
Tires	Maxxis Ardent Race 29" x 2.2" TR, EXO - w/ Stan's Sealant Maxxis Ardent Race 29" x 2.2" TR, EXO - w/ Stan's Sealant
Rotors	Shimano XT CenterLock - 160mm Shimano XT CenterLock - 160mm
Chain	Shimano M8100 12-Speed
Size	XS / SM / MD / LG / XL

Prezzo bici Pro X01 Fox Live

€
10.499

Prezzo bici Pro X01

€
7.999

Prezzo bici Pro XT/XTR Fox Live Carbon Wheels

€
10.999

Prezzo bici Pro XT/XTR Fox Live

€
9.599

PRO XT/XTR

Frame	Mach 4 SL Carbon
Wheel size	29"
Rear shock	Fox Factory DPS w/ Remote
Fork	Fox Factory Stepcast 34 29" w/ Remote, 44mm offset - 120mm
Headset	Pivot Precision Sealed Integrated Cartridge
Rear der	Shimano XTR GS 12-Speed
Shifters	Shimano XT M8100 12-Speed
Brakes	Shimano XT M8100 2-Piston
Crankset	Race Face Aeffect 34T
Handlebar	Phoenix Team Flat Carbon - 760mm
Grips	Phoenix Team Padloc
Stem	Phoenix Team XC/Trail - 75mm
Seatpost	KS 100mm (XS), Fox Transfer 125mm (SM-LG), Fox Transfer 150mm (XL)
Saddle	Phoenix WTb Pro Volt
Cassette	Shimano XT M8100 10-51t
Wheels	DT Swiss M1700, w/ 36t star ratchet, 25mm - 29"
Wheel upgrade	DT Swiss XRC 1200 SPLINE w/ 36t star ratchet, 25mm - 29"
Tires	Maxxis Ardent Race 29" x 2.2" TR, EXO - w/ Stan's Sealant Maxxis Ardent Race 29" x 2.2" TR, EXO - w/ Stan's Sealant
Rotors	Shimano XT CenterLock - 160mm Shimano XT CenterLock - 160mm
Chain	Shimano M8100 12-Speed
Size	XS / SM / MD / LG / XL

RACE X01

Frame	Mach 4 SL Carbon
Wheel size	29"
Rear shock	Fox Performance DPS
Fork	Fox Performance Stepcast 34 29", 44mm offset - 120mm
Headset	Pivot Precision Sealed Integrated Cartridge
Rear der	Sram X01 12-Speed
Shifters	Sram GX1 12-Speed
Brakes	Sram Level TL
Crankset	Sram GX Eagle DUB 32T
Handlebar	Phoenix Race Low Rise Aluminum - 750mm
Grips	Phoenix Team Padloc
Stem	Phoenix Team XC/Trail - 75mm
Seatpost	KS 100mm (XS), Fox Transfer 125mm (SM-LG), Fox Transfer 150mm (XL)
Saddle	Phoenix WTb Race Volt
Cassette	Sram XG-1275 10-50T
Wheels	SUNringlé Charger Comp w/ SUNringlé SRC hub, 27mm - 29"
Wheel upgrade	-
Tires	Maxxis Ardent Race 29" x 2.2" TR, EXO - w/ Stan's Sealant Maxxis Ardent Race 29" x 2.2" TR, EXO - w/ Stan's Sealant
Rotors	Sram Centerline 6-Bolt - 160mm Sram Centerline 6-Bolt - 160mm
Chain	Sram GX1 12-Speed
Size	XS / SM / MD / LG / XL

RACE XT 12-SPEED

Frame	Mach 4 SL Carbon
Wheel size	29"
Rear shock	Fox Performance DPS
Fork	Fox Performance Stepcast 34 29", 44mm offset - 120mm
Headset	Pivot Precision Sealed Integrated Cartridge
Rear der	Shimano XT SGS 12-Speed
Shifters	Shimano SLX M7100 12-Speed
Brakes	Shimano SLX M7120 4-pistons
Crankset	Race Face Ride 32T
Handlebar	Phoenix Race Low Rise Aluminum - 750mm
Grips	Phoenix Team Padloc
Stem	Phoenix Team XC/Trail
Seatpost	KS 100mm (XS), Fox Transfer 125mm (SM-LG), Fox Transfer 150mm (XL)
Saddle	Phoenix WTb Race Volt
Cassette	Shimano SLX M7100 10-51T
Wheels	SUNringlé Charger Comp w/ SUNringlé SRC hub, 27mm - 29"
Wheel upgrade	-
Tires	Maxxis Ardent Race 29" x 2.2" TR, EXO - w/ Stan's Sealant Maxxis Ardent Race 29" x 2.2" TR, EXO - w/ Stan's Sealant
Rotors	Shimano SLX 6-bolt - 160mm Shimano SLX 6-bolt - 160mm
Chain	Shimano CN-M7100 12-Speed
Size	XS / SM / MD / LG / XL



Prezzo bici Pro XT/XTR

€ 6.999

Prezzo bici Race X01

€ 6.499

Prezzo bici Race XT 12-Speed

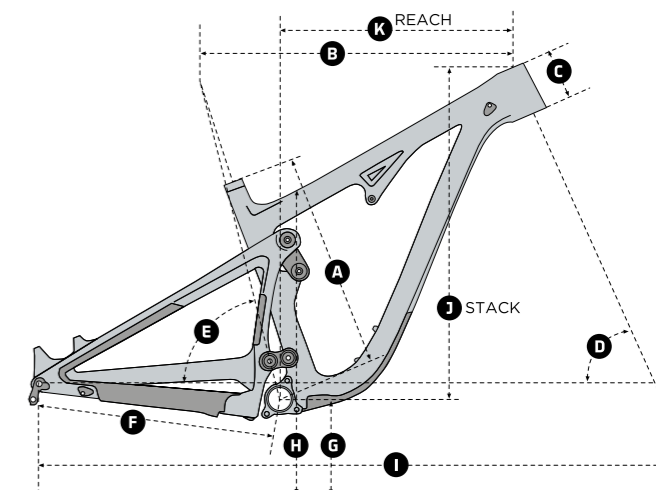
€ 5.799



PRO X01 CARBON WHEELS

Frame	Trail 429 Carbon
Wheel size	29"
Rear shock	Fox Factory Float DPS
Fork	Fox Factory 34 29", 51mm offset, FIT4- 130mm
Headset	Pivot Precision Sealed Integrated Cartridge
Rear der	Sram X01 12-Speed
Shifters	Sram X01 12-Speed
Brakes	Sram G2 RSC
Crankset	Sram X01 Eagle DUB 32t
Handlebar	Phoenix Team Low Rise Carbon - 760mm
Grips	Phoenix Team Padloc
Stem	Phoenix Team Enduro/Trail - 55mm
Seatpost	KS LEV 125mm (XS), Fox Transfer 125mm (SM), Fox Transfer 150mm (MD-XL)
Saddle	Phoenix WTB Pro Vigo
Cassette	Sram X01 XG-1295 10-50t
Wheels	Reynolds Blacklabel Enduro Wide Trail w/ Industry Nine hub, 34mm - 29"
Wheel upgrade	-
Tires	Maxxis DHRII 29" x 2.4" WT, TR, 3C, EXO, MAXXTERRA Maxxis Rekon 29" x 2.4" WT, TR, 3C, EXO, MAXXTERRA
Rotors	Sram Centerline CenterLock - 180mm Sram Centerline CenterLock - 180mm
Chain	Sram X01 12-Speed
Size	XS / SM / MD / LG / XL

Colore Steel Blue / Crimson



	XS	SM	MD	LG	XL
A Seat Tube Length (C-T)	35,90 cm	39,70 cm	42,80 cm	46,00 cm	49,70 cm
B Top Tube Length	55,12 cm	58,17 cm	61,47 cm	63,50 cm	66,04 cm
C Head Tube Length	8,38 cm	8,89 cm	10,16 cm	10,92 cm	11,94 cm
D Head Tube Angle	67,00°	67,30°	67,30°	67,30°	67,30°
E Seat Tube Angle (Eff.)	74,50°	74,00°	74,00°	74,00°	74,00°
F Chainstay Length	42,93 cm	42,93 cm	42,93 cm	42,93 cm	42,93 cm
G Bottom Bracket Height	34,29 cm	34,29 cm	34,29 cm	34,29 cm	34,29 cm
H Standover Height	66,80 cm	70,10 cm	70,36 cm	70,61 cm	72,90 cm
I Wheelbase	111,00 cm	113,03 cm	116,33 cm	118,62 cm	121,16 cm
J Stack	58,67 cm	59,44 cm	60,45 cm	61,21 cm	62,23 cm
K Reach	39,12 cm	40,89 cm	43,94 cm	45,97 cm	48,01 cm

Prezzo telaio + carbon cranks

€ 4.499

Prezzo bici Pro X01 Carbon Wheels

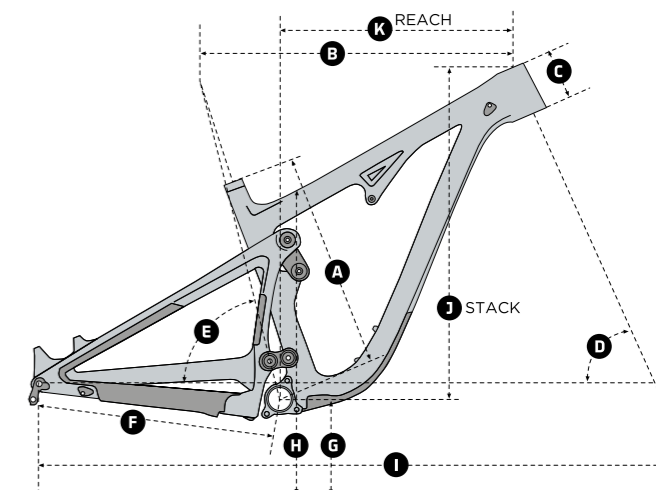
€ 9.499



PRO X01 CARBON WHEELS

Frame	Trail 429 Carbon
Wheel size	29"
Rear shock	Fox Factory Float DPS
Fork	Fox Factory 34 29", 51mm offset, FIT4- 130mm
Headset	Pivot Precision Sealed Integrated Cartridge
Rear der	Sram X01 12-Speed
Shifters	Sram X01 12-Speed
Brakes	Sram G2 RSC
Crankset	Sram X01 Eagle DUB 32t
Handlebar	Phoenix Team Low Rise Carbon - 760mm
Grips	Phoenix Team Padloc
Stem	Phoenix Team Enduro/Trail - 55mm
Seatpost	KS LEV 125mm (XS), Fox Transfer 125mm (SM), Fox Transfer 150mm (MD-XL)
Saddle	Phoenix WTB Pro Vigo
Cassette	Sram X01 XG-1295 10-50t
Wheels	Reynolds Blacklabel Enduro Wide Trail w/ Industry Nine hub, 34mm - 29"
Wheel upgrade	-
Tires	Maxxis DHRII 29" x 2.4" WT, TR, 3C, EXO, MAXXTERRA Maxxis Rekon 29" x 2.4" WT, TR, 3C, EXO, MAXXTERRA
Rotors	Sram Centerline CenterLock - 180mm Sram Centerline CenterLock - 180mm
Chain	Sram X01 12-Speed
Size	XS / SM / MD / LG / XL

Colore Steel Blue / Crimson



	XS	SM	MD	LG	XL
A Seat Tube Length (C-T)	35,90 cm	39,70 cm	42,80 cm	46,00 cm	49,70 cm
B Top Tube Length	55,12 cm	58,17 cm	61,47 cm	63,50 cm	66,04 cm
C Head Tube Length	8,38 cm	8,89 cm	10,16 cm	10,92 cm	11,94 cm
D Head Tube Angle	67,00°	67,30°	67,30°	67,30°	67,30°
E Seat Tube Angle (Eff.)	74,50°	74,00°	74,00°	74,00°	74,00°
F Chainstay Length	42,93 cm	42,93 cm	42,93 cm	42,93 cm	42,93 cm
G Bottom Bracket Height	34,29 cm	34,29 cm	34,29 cm	34,29 cm	34,29 cm
H Standover Height	66,80 cm	70,10 cm	70,36 cm	70,61 cm	72,90 cm
I Wheelbase	111,00 cm	113,03 cm	116,33 cm	118,62 cm	121,16 cm
J Stack	58,67 cm	59,44 cm	60,45 cm	61,21 cm	62,23 cm
K Reach	39,12 cm	40,89 cm	43,94 cm	45,97 cm	48,01 cm

Prezzo telaio + carbon cranks

€ 4.499

Prezzo bici Pro X01

€ 7.999

PRO XT/XTR CARBON WHEELS

Frame	Trail 429 Carbon
Wheel size	29"
Rear shock	Fox Factory Float DPS
Fork	Fox Factory 34 29", 51mm offset, FIT4- 130mm
Headset	Pivot Precision Sealed Integrated Cartridge
Rear der	Shimano XTR GS 12-Speed
Shifters	Shimano XT M8100 12-Speed
Brakes	Shimano XT M8120 4-Piston
Crankset	Race Face Aeffect 32t
Handlebar	Phoenix Team Low Rise Carbon - 760mm
Grips	Phoenix Team Padloc
Stem	Phoenix Team Enduro/Trail - 55mm
Seatpost	KS LEV 125mm (XS), Fox Transfer 125mm (SM), Fox Transfer 150mm (MD-XL)
Saddle	Phoenix WTb Pro Vigo
Cassette	Shimano XT M8100 10-51t
Wheels	Reynolds Blacklabel Enduro Wide Trail w/ Industry Nine hub, 34mm - 29"
Wheel upgrade	-
Tires	Maxxis DHRII 29" x 2.4" WT, TR, 3C, EXO, MAXXTERRA Maxxis Rekon 29" x 2.4" WT, TR, 3C, EXO, MAXXTERRA
Rotors	Shimano XT CenterLock - 180mm Shimano XT CenterLock - 180mm
Chain	Shimano M8100 12-Speed
Size	XS / SM / MD / LG / XL

PRO XT/XTR

Frame	Trail 429 Carbon
Wheel size	29"
Rear shock	Fox Factory Float DPS
Fork	Fox Factory 34 29", 51mm offset, FIT4- 130mm
Headset	Pivot Precision Sealed Integrated Cartridge
Rear der	Shimano XTR GS 12-Speed
Shifters	Shimano XT M8100 12-Speed
Brakes	Shimano XT M8120 4-Piston
Crankset	Race Face Aeffect 32t
Handlebar	Phoenix Team Low Rise Carbon - 760mm
Grips	Phoenix Team Padloc
Stem	Phoenix Team Enduro/Trail - 55mm
Seatpost	KS LEV 125mm (XS), Fox Transfer 125mm (SM), Fox Transfer 150mm (MD-XL)
Saddle	Phoenix WTb Pro Vigo
Cassette	Shimano XT M8100 10-51t
Wheels	DT Swiss M1700 w/ DT Swiss 350 hub, 30mm - 29"
Wheel upgrade	-
Tires	Maxxis DHRII 29" x 2.4" WT, TR, 3C, EXO, MAXXTERRA Maxxis Rekon 29" x 2.4" WT, TR, 3C, EXO, MAXXTERRA
Rotors	Shimano XT CenterLock - 180mm Shimano XT CenterLock - 180mm
Chain	Shimano M8100 12-Speed
Size	XS / SM / MD / LG / XL

RACE X01

Frame	Trail 429 Carbon
Wheel size	29"
Rear shock	Fox Performance Float DPS
Fork	Fox Performance 34 29", 51mm offset, GRIP - 130mm
Headset	Pivot Semi-Sealed Cartridge
Rear der	Sram X01 12-Speed
Shifters	Sram GX1 12-Speed
Brakes	Sram Guide RE
Crankset	Sram GX Eagle DUB 32t
Handlebar	Phoenix Race Low Rise Aluminum - 750mm
Grips	Phoenix Team Padloc
Stem	Phoenix Team Enduro/Trail - 55mm
Seatpost	KS LEV 125mm (XS), Fox Transfer 125mm (SM), Fox Transfer 150mm (MD-XL)
Saddle	Phoenix WTb Race Vigo
Cassette	Sram GX1 XG-1275 10-50t
Wheels	DT Swiss M1900 w/ DT Swiss 370 hub, 30mm - 29"
Wheel upgrade	-
Tires	Maxxis DHRII 29" x 2.4" WT, TR, 3C, EXO, MAXXTERRA Maxxis Rekon 29" x 2.4" WT, TR, 3C, EXO, MAXXTERRA
Rotors	Sram Centerline 6-Bolt - 180mm Sram Centerline 6-Bolt - 180mm
Chain	Sram GX1 12-Speed
Size	XS / SM / MD / LG / XL

RACE XT 12-SPEED

Frame	Trail
Wheel size	29"
Rear shock	Fox Performance Float DPS
Fork	Fox Performance 34 29", 51mm offset, GRIP - 130mm
Headset	Pivot Semi-Sealed Cartridge
Rear der	Shimano XT SGS 12-Speed
Shifters	Shimano SLX M7100 12-Speed
Brakes	Shimano SLX M7120 4-piston
Crankset	Race Face Ride 32T
Handlebar	Phoenix Race Low Rise Aluminum - 750mm
Grips	Phoenix Team Padloc
Stem	Phoenix Team Enduro/Trail
Seatpost	KS LEV 125mm (XS), Fox Transfer 125mm (SM), Fox Transfer 150mm (MD-XL)
Saddle	Phoenix WTb Race Vigo
Cassette	Shimano SLX M7100 10-51T
Wheels	DT Swiss M1900 w/ DT Swiss 370 hub, 30mm - 29"
Wheel upgrade	-
Tires	Maxxis DHRII 29" x 2.4" WT, TR, 3C, EXO, MAXXTERRA Maxxis Rekon 29" x 2.4" WT, TR, 3C, EXO, MAXXTERRA
Rotors	Shimano SLX 6-bolt - 180mm Shimano SLX 6-bolt - 180mm
Chain	Shimano CN-M7100 12-Speed
Size	XS / SM / MD / LG / XL

Prezzo bici Pro XT/XTR Carbon Wheels

€
8.599

Prezzo bici Pro XT/XTR

€
7.199

Prezzo bici Race X01

€
6.199

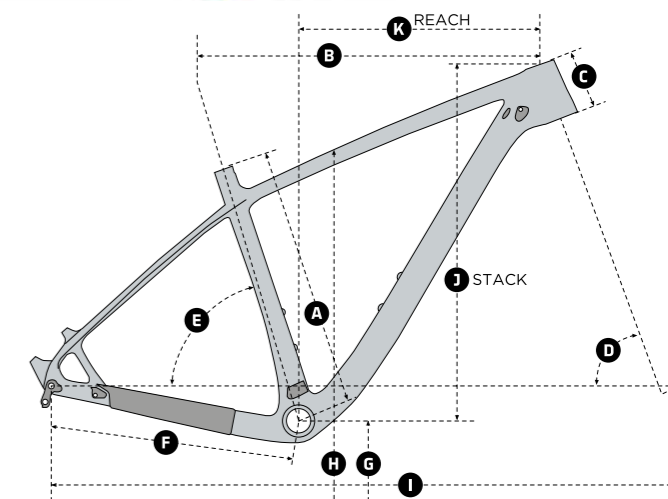
Prezzo bici Race XT 12-Speed

€
5.999



TEAM XX1 AXS CARBON WHEELS

Frame	LES SL Carbon
Wheel size	29"
Fork	FFox Factory Stepcast 32 29" w/ Remote, 44mm offset - 100mm
Headset	Pivot Precision Sealed Integrated Cartridge
Rear der	Sram XX1 Eagle AXS
Shifters	Sram XX1 Eagle AXS
Brakes	Sram Guide Ultimate
Crankset	Sram XX1 Eagle DUB SL 32T
Handlebar	Phoenix Team Flat Carbon - 760mm
Grips	Phoenix Team Padloc
Stem	Phoenix Team XC/Trail
Seatpost	Phoenix Team Carbon
Saddle	Phoenix WTB Team Volt
Cassette	Sram XX1 XG-1299 10-50T
Wheels	DT Swiss XRC 1200 SPLINE w/ 36t star ratchet, 25mm - 29"
Wheel upgrade	-
Tires	Maxxis Ikon 29" x 2.2" TR, 3C, EXO, MAXXSPEED, 120 TPI Maxxis Ikon 29" x 2.2" TR, 3C, EXO, MAXXSPEED, 120 TPI
Rotors	Sram CenterLine CenterLock - 160mm Sram CenterLine CenterLock - 160mm
Chain	Sram XX1 12-Speed
Size	XS / SM / MD / LG / XL



	SM	MD	LG	XL
A Seat Tube Length (C-T)	40,64 cm	45,09 cm	48,26 cm	53,34 cm
B Top Tube Length	58,17 cm	60,71 cm	62,23 cm	64,77 cm
C Head Tube Length	9,78 cm	10,16 cm	11,30 cm	13,97 cm
D Head Tube Angle	69,30°	69,50°	69,50°	70,00°
E Seat Tube Angle (Eff.)	73,00°	72,50°	72,50°	72,50°
F Chainstay Length	43,43 cm	43,43 cm	43,43 cm	43,43 cm
G Bottom Bracket Height	30,73 cm	30,73 cm	30,73 cm	30,73 cm
H Standover Height	72,39 cm	74,17 cm	75,18 cm	75,44 cm
I Wheelbase	108,15 cm	109,91 cm	111,51 cm	113,64 cm
J Stack	60,86 cm	61,29 cm	63,07 cm	65,13 cm
K Reach	39,55 cm	41,38 cm	42,32 cm	44,27 cm

Colore Blue / Stealth

Prezzo telaio

€ 2.599

Prezzo bici Team XX1 AXS Carbon Wheels

€ 9.299

TEAM XX1 CARBON WHEELS

Frame	LES SL Carbon
Wheel size	29"
Fork	Fox Factory Stepcast 32 29" w/ Remote, 44mm offset - 100mm
Headset	Pivot Precision Sealed Integrated Cartridge
Rear der	Sram XX1 12-Speed
Shifters	Sram XX1 12-Speed
Brakes	Sram Guide Ultimate
Crankset	Sram XX1 Eagle DUB SL 32T
Handlebar	Phoenix Team Flat Carbon - 760mm
Grips	Phoenix Team Padloc
Stem	Phoenix Team XC/Trail
Seatpost	Phoenix Team Carbon
Saddle	Phoenix WTB Team Volt
Cassette	Sram XX1 XG-1299 10-50T
Wheels	DT Swiss XRC 1200 SPLINE w/ 36t star ratchet, 25mm - 29"
Wheel upgrade	-
Tires	Maxxis Ikon 29" x 2.2" TR, 3C, EXO, MAXXSPEED, 120 TPI Maxxis Ikon 29" x 2.2" TR, 3C, EXO, MAXXSPEED, 120 TPI
Rotors	Sram CenterLine CenterLock - 160mm Sram CenterLine CenterLock - 160mm
Chain	Sram XX1 12-Speed
Size	SM / MD / LG / XL

TEAM XTR CARBON WHEELS

Frame	LES SL Carbon
Wheel size	29"
Fork	Fox Factory Stepcast 32 29" w/ Remote, 44mm offset - 100mm
Headset	Pivot Precision Sealed Integrated Cartridge
Rear der	Shimano XTR M9100 SGS 12-Speed
Shifters	Shimano XTR M9100 ISPEC 12-Speed
Brakes	Shimano XTR M9100 2-Piston
Crankset	Race Face Next SL 34T
Handlebar	Phoenix Team Flat Carbon - 760mm
Grips	Phoenix Team Padloc
Stem	Phoenix Team XC/Trail
Seatpost	Phoenix Team Carbon
Saddle	Phoenix WTB Team Volt
Cassette	Shimano XTR M9100 10-51T
Wheels	DT Swiss XRC 1200 SPLINE w/ 36t star ratchet, 25mm - 29"
Wheel upgrade	-
Tires	Maxxis Ikon 29" x 2.2" TR, 3C, EXO, MAXXSPEED, 120 TPI Maxxis Ikon 29" x 2.2" TR, 3C, EXO, MAXXSPEED, 120 TPI
Rotors	Shimano XTR CenterLock - 160mm Shimano XTR CenterLock - 160mm
Chain	Shimano M9100 12-Speed
Size	SM / MD / LG / XL

PRO X01

Frame	LES SL Carbon
Wheel size	29"
Fork	Fox Factory Stepcast 32 29" w/ Remote, 44mm offset - 100mm
Headset	Pivot Precision Sealed Integrated Cartridge
Rear der	Sram X01 12-Speed
Shifters	Sram X01 12-Speed
Brakes	Sram Level TLM
Crankset	Sram X01 Eagle DUB 32T
Handlebar	Phoenix Team Flat Carbon - 760mm
Grips	Phoenix Team Padloc
Stem	Phoenix Team XC/Trail
Seatpost	Phoenix Pro Carbon
Saddle	Phoenix WTB Pro Volt
Cassette	Sram XG-1275 10-50T
Wheels	DT Swiss M1700, w/ 36t star ratchet, 25mm - 29"
Wheel upgrade	-
Tires	Maxxis Ikon 29" x 2.2" TR, 3C, EXO, MAXXSPEED, 120 TPI Maxxis Ikon 29" x 2.2" TR, 3C, EXO, MAXXSPEED, 120 TPI
Rotors	Sram Centerline CenterLock - 160mm Sram Centerline CenterLock - 160mm
Chain	Sram X01 12-Speed
Size	SM / MD / LG / XL

PRO XT/XTR

Frame	LES SL Carbon
Wheel size	29"
Fork	Fox Factory Stepcast 32 29" w/ Remote, 44mm offset - 100mm
Headset	Pivot Precision Sealed Integrated Cartridge
Rear der	Shimano XTR M9100 SGS 12-Speed
Shifters	Shimano XT M8100 ISPEC 12-Speed
Brakes	Shimano XT M8100 2-Piston
Crankset	Race Face Aeffect 34t
Handlebar	Phoenix Team Flat Carbon - 760mm
Grips	Phoenix Team Padloc
Stem	Phoenix Team XC/Trail
Seatpost	Phoenix Pro Carbon
Saddle	Phoenix WTB Pro Volt
Cassette	Shimano XT M8100 10-51T
Wheels	DT Swiss M1700, w/ 36t star ratchet, 25mm - 29"
Wheel upgrade	-
Tires	Maxxis Ikon 29" x 2.2" TR, 3C, EXO, MAXXSPEED, 120 TPI Maxxis Ikon 29" x 2.2" TR, 3C, EXO, MAXXSPEED, 120 TPI
Rotors	Shimano XT CenterLock - 160mm Shimano XT CenterLock - 160mm
Chain	Shimano M8100 12-Speed
Size	SM / MD / LG / XL

Prezzo bici Team XX1 Carbon Wheels

€
8.699

Prezzo bici Team XTR Carbon Wheels

€
8.199

Prezzo bici Pro X01

€
6.399

Prezzo bici Pro XT/XTR

€
5.799



LES SL 29

RACE X01

Frame	LES SL Carbon
Wheel size	29"
Fork	Fox Performance Stepcast 32 29", 44mm offset - 100mm
Headset	Pivot Precision Sealed Integrated Cartridge
Rear der	Sram X01 12-Speed
Shifters	Sram GX1 12-Speed
Brakes	Sram Level TL
Crankset	Sram GX Eagle DUB 32T
Handlebar	Phoenix Race Low Rise Aluminum - 750mm
Grips	Phoenix Team Padloc
Stem	Phoenix Team XC/Trail
Seatpost	Phoenix Race Aluminum
Saddle	Phoenix WTB Race Volt
Cassette	Sram XG-1275 10-50T
Wheels	SUNringlé Charger Comp w/ SUNringlé SRC hub, 27mm - 29"
Wheel upgrade	-
Tires	Maxxis Ikon 29" x 2.2" TR, 3C, EXO, MAXXSPEED, 120 TPI Maxxis Ikon 29" x 2.2" TR, 3C, EXO, MAXXSPEED, 120 TPI
Rotors	Sram Centerline 6 Bolt - 160mm Sram Centerline 6 Bolt - 160mm
Chain	Sram GX1 12-Speed
Size	SM / MD / LG / XL

Prezzo bici Race X01

€
4.999

RACE XT 12-SPEED

Frame	LES SL Carbon
Wheel size	29"
Fork	Fox Performance Stepcast 32 29", 44mm offset - 100mm
Headset	Pivot Precision Sealed Integrated Cartridge
Rear der	Shimano XT M8100 SGS 12-Speed
Shifters	Shimano XT M7100 12-Speed
Brakes	Shimano SLX M7100
Crankset	Race Face Ride 32T
Handlebar	Phoenix Race Low Rise Aluminum - 750mm
Grips	Phoenix Team Padloc
Stem	Phoenix Team XC/Trail
Seatpost	Phoenix Race Aluminum
Saddle	Phoenix WTB Race Volt
Cassette	Shimano SLX M7100 10-51T
Wheels	SUNringlé Charger Comp w/ SUNringlé SRC hub, 27mm - 29"
Wheel upgrade	-
Tires	Maxxis Ikon 29" x 2.2" TR, 3C, EXO, MAXXSPEED, 120 TPI Maxxis Ikon 29" x 2.2" TR, 3C, EXO, MAXXSPEED, 120 TPI
Rotors	Shimano SLX 6-bolt - 160mm Shimano SLX 6-bolt - 160mm
Chain	Shimano CN-M7100 12-Speed
Size	SM / MD / LG / XL

Prezzo bici Race XT

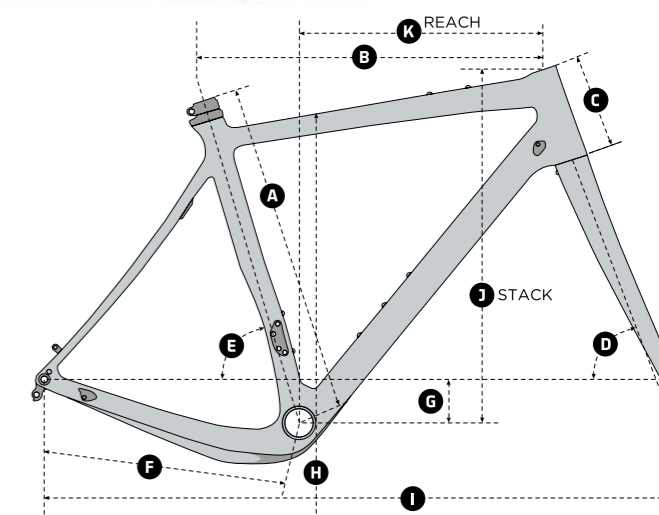
€
4.499



FORCE CARBON WHEELS

Frame	Vault Carbon
Wheel size	700C
Fork	Pivot Vault Carbon Disc
Headset	Pivot Precision Sealed Integrated Cartridge
Rear der	Sram Force AXS e-Tap 12-Speed
Shifters	Sram Force AXS e-Tap 12-Speed
Brakes	Sram Force DISC
Crankset	Sram Force 1 DUB 36t - 165 (XS), 170 (SM), 172.5 (MD), 175 (LG, XL)
Handlebar	Easton EC70 AX CARBON - 40 (XS), 42 (SM), 44 (MD), 46 (LG, XL)
Stem	Phoenix Team 31.8mm
Seatpost	Phoenix Pro Carbon 27.2mm
Saddle	Phoenix WTB Pro Volt
Cassette	Sram Force XG-1270 10-33t
Wheels	Reynolds ATRx 23mm CARBON
Tires	Maxxis Rambler 700c x 40mm TR Skinwall EXO w/Stans Sealant
Rotor	Sram Centerline CenterLock - 160mm
Chain	Sram Force 12-Speed
Size	XS / SM / MD / LG / XL

Colore Slate Blue / Sandstorm



	XS	SM	MD	LG	XL
A Seat Tube Length (C-T)	45,8 cm	52,8 cm	54,8 cm	56,8 cm	58,8 cm
B Top Tube Length	51,5 cm	53,8 cm	56,5 cm	57,8 cm	59,0 cm
C Head Tube Length	10,5 cm	13,0 cm	15,5 cm	17,0 cm	19,5 cm
D Head Tube Angle	70,0°	71,5°	72,0°	72,0°	72,0°
E Seat Tube Angle (Eff.)	74,8°	74,0°	73,5°	73,0°	73,0°
F Chainstay Length	42,0 cm	42,0 cm	42,0 cm	42,0 cm	42,0 cm
G Bottom Bracket Height	7,0 cm	7,0 cm	7,0 cm	7,0 cm	7,0 cm
H Standover Height	70,5 cm	76,6 cm	78,7 cm	80,5 cm	82,5 cm
I Wheelbase	100,0 cm	100,2 cm	102,0 cm	102,8 cm	103,8 cm
J Stack	52,0 cm	54,9 cm	57,4 cm	58,9 cm	61,2 cm
K Reach	37,4 cm	38,1 cm	39,5 cm	39,8 cm	40,0 cm

Prezzo telaio

€ 3.199

Prezzo bici Force Carbon Wheels

€ 7.399



ULTEGRA

Frame	Vault Carbon
Wheel size	700C
Fork	Pivot Vault Carbon Disc
Headset	Pivot Precision Sealed Integrated Cartridge
Rear der	Shimano Ultegra RX
Shifters	Shimano Ultegra R8020 11-Speed
Brakes	Shimano Ultegra R8070 Disc
Crankset	Praxis Zayante M30 48/32t - 165 (XS), 170 (SM), 172.5 (MD), 175 (LG, XL)
Handlebar	Easton EA70 AX - 40 (XS), 42 (SM), 44 (MD), 46 (LG, XL)
Stem	Phoenix Team 31.8mm
Seatpost	Phoenix Pro Carbon 27.2mm
Saddle	Phoenix WTB Race Volt
Cassette	Shimano Ultegra HG-800 11-34t
Wheels	DT Swiss CR 1600 SPLINE 22mm
Tires	Maxxis Rambler 700c x 40mm TR Skinwall EXO w/Stans Sealant
Rotor	Shimano Ultegra RT800 CenterLock - 160mm
Chain	Shimano CN-HG600 11-Speed
Size	XS / SM / MD / LG / XL

Prezzo bici Ultegra

€
5.399



Andy e Gerard hanno fondato Open Cycle pensando a un oggetto molto semplice. O meglio, a più oggetti intesi come telai che fossero, appunto, molto semplici. E la loro idea di semplicità è presto spiegata: solidità, robustezza, fattura pregiata e capacità di attirare lo sguardo al primo sguardo.

Per Andy e Gerard riuscire in questo è stato difficile, ma hanno avuto le idee chiare sin da subito: concentrarsi sui telai, piuttosto che sulle bici complete. Che comunque sono presenti in gamma. Ma una bici Open nasce come creazione unica.

È un foglio bianco sul quale ogni appassionato disegna la propria identità ciclistica.

A modo suo.

Proprio come Andy e Gerard hanno pensato Open Cycle.



dsb

SEMPLICEMENTE BICI

2020

WI.DE

Telaio gravel fino a 650bx2.4 - 700x46
Peso telaio 1.040gr (taglia M), forcella 390gr.
Misure XS, S, M, L, XL
Colore Grey, Orange.

€
3.200



WI.DE Bike

Bici con telaio gravel fino a 650bx2.4 - 700x46. Sram Axs.
Peso telaio 1.040gr (taglia M), forcella 390gr.
Misure XS, S, M, L, XL
Colore Grey.

€
5.999



U.P. NEW

Telaio gravel fino a 650bx2.1 - 700x40
Peso telaio 1.040gr (taglia M), forcella 390gr.
Misure S, M, L, XL.
Colori Lime, Blue.



€
2.900

ONE+

Telaio XC front con possibilità di montaggio ruote sia 29" che 27.5 plus.
Peso 869gr (taglia M).
Misure S, M, L.
Colore Black.



€
3.200

U.P.P.E.R.

Telaio gravel fino a 650bx2.1 - 700x40
Peso telaio 880gr (taglia M), forcella 370gr.
Misure S, M, L, XL.
Colore Matte Black.



€
4.500



hope

I freni Hope, così come anche tutti gli altri componenti del marchio inglese (ci si riesce quasi ad allestire una bici completa...), provengono da una fabbrica che dalla fine degli Anni Ottanta decise di affiancare alla produzione di componenti per l'industria aeronautica quelli per la Mtb.

E i freni a disco Hope, sin da allora, sono un punto di riferimento in campo ruote grasse. E allo stesso tempo i mozzi, la cui gamma è così vasta che ancora oggi trova difficilmente eguali, per qualità e affidabilità. Se amate la fibra di carbonio siete sulla strada sbagliata: Hope è un maestro nella lavorazione al CNC di leghe metalliche, tanto che le pinze dei freni sono realizzate da un pezzo unico. Sono attenzioni costruttive, queste, che solo un marchio di nicchia e follemente appassionato della qualità riesce a pensare.

E a fare concretamente.

Alla faccia di un mercato che insegue la fibra di carbonio come unico parametro degno di considerazione...



dsb

SEMPLICEMENTE BICI

2020

Tech3 V4 Braided

Leva Tech3 con pinza V4 a 4 pistoni ideale per utilizzo DH/FR. Con guaina metallica. Colori Black, Red, Orange, Blue, Purple, Silver. Compatibile con dischi Vented.

€
259,90



Tech3 V4 Black Hose

Leva Tech3 con pinza V4 a 4 pistoni ideale per utilizzo DH/FR. Con guaina nera. Colori Black, Red, Orange, Blue, Purple, Silver. Compatibile con dischi Vented.

€
249,90



Tech3 E4 Braided

Leva Tech3 con pinza E4 a 4 pistoni ideale per utilizzo Enduro/AM. Con guaina metallica. Colori Black, Red, Orange, Blue, Purple, Silver.

€ 239,90



Tech3 E4 Black Hose

Leva Tech3 con pinza E4 a 4 pistoni ideale per utilizzo Enduro/AM. Con guaina nera. Colori Black, Red, Orange, Blue, Purple, Silver.

€ 229,90



Tech3 X2 Braided

Leva Tech3 con pinza X2 a 2 pistoni ideale per utilizzo XC/Trail. Con guaina metallica. Colori Black, Red, Orange, Blue, Purple, Silver.

€ 209,90



Tech3 X2 Black Hose

Leva Tech3 con pinza X2 a 2 pistoni ideale per utilizzo XC/Trail. Con guaina nera. Colori Black, Red, Orange, Blue, Purple, Silver.

€ 199,90



Tech3 Trial Black Hose

Leva Tech3 con pinza Trial a 2 pistoni. Utilizzo per bici Trial, solo colore Black.

€ 219,90



V-TWIN

Kit trasformazione da leve freno meccaniche a freni idraulici, pinze E4 o X2 incluse. Solo colore Black.

€ 399,00



RX4 Caliper Flat Mount

Pinza per bici strada o gravel. Specificare se per leve Shimano o Sram e se ant. o post. Colori Black, Red, Orange, Blue, Purple, Silver.

€ 124,90



RX4 Caliper Post Mount

Pinza per bici strada o gravel. Specificare se per leve Shimano o Sram. Colori Black, Red, Orange, Blue, Purple, Silver.

€ 99,90



Dischi fissi

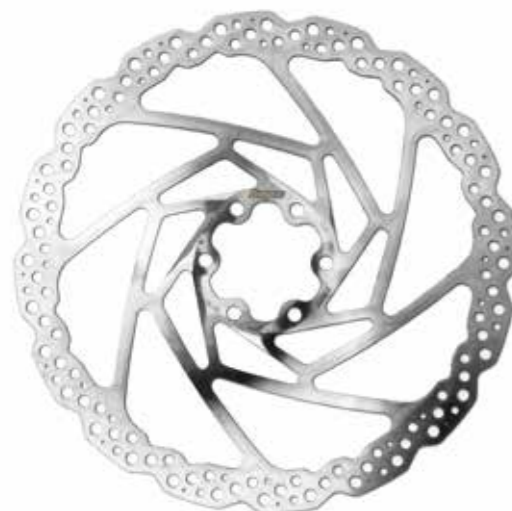
190 - 160 - 183 - 203 - 220. Su ordinazione 180 e 200.

€ 44,90

fino a Ø 183 mm

€ 49,90

oltre Ø 183 mm



Dischi flottanti

Dischi flottanti. 190 - 160 - 183 - 203 - 220. Su ordinazione 180 e 200. Colori Black, Red, Orange, Blue, Purple, Silver.

€ 56,90

fino a Ø 183 mm

€ 64,90

oltre Ø 183 mm



Dischi ventilati

Dischi ventilati Ø 203. Colori Black, Red, Orange, Blue, Purple, Silver.

€ 139,90



Dischi flottanti road

Dischi flottanti road Ø 160mm. Colori Black, Red, Orange, Blue, Purple, Silver.

€ 59,90



Adattatori disco

Adattatori PM e IS. Ampia scelta di misure.
Colori Black, Silver.

- H Postmount 160 > Postmount 183 mm
- K Postmount 180 > Postmount 203 mm
- Postmount 140 > Postmount 160 mm
- F Postmount 180 > Postmount 200 mm
- IS Front > Postmount 180 mm
- IS Rear > Postmount 160 mm
- C Postmount 160 > Postmount 203 mm
- B IS Front 160mm > Postmount 203 mm
- IS Rear 160 mm > Postmount 183 mm
- A IS Front > Postmount 160 mm
- IS Rear > Postmount 140 mm
- J IS Front 160 mm > Postmount 183 mm
- G IS Rear 160 mm > Postmount 203 mm
- E Fox40 > Postmount 203 mm
- Pre 2014 forks only
- D Booxer > Postmount 203 mm
- Pre 2009 forks only

€
21,90

Pastiglie freni standard

€
19,90

Pastiglie freni sinterizzate

€
24,90



Pro 4 Rear DH 7sp

Mozzo posteriore, battuta 135-142mm o 150-157mm
Colori Black, Red, Orange, Blue, Purple, Silver.

€
249,90

Pro 4 Rear Single Speed

Mozzo posteriore single speed, anche per Trial.
Colori Black, Red, Orange, Blue, Purple, Silver.

€
249,90



Pro 4 Fatsno Front

Mozzo anteriore, battuta 135mm, perno 15mm e QR
Colori Black, Red, Orange, Blue, Purple, Silver.

€
114,90

Conversion Kit Pro2/Pro4 Front

Kit di trasformazione mozzo Pro2/Pro4 Front
da pp15mm a pp20mm a QR o viceversa.

€
24,90

Conversion Kit Pro2/Pro4 Rear

Kit di trasformazione mozzo Pro2/Pro4 Rear
da 135mm a 142mm o da 150mm a 157mm,
QR, pp 12mm o pp 10mm.

€
19,90



Pro 4 Front

Mozzo anteriore, battuta 100-110mm. 15-20mm-QR
Colori Black, Red, Orange, Blue, Purple, Silver.

€
99,90



Pro 4 Rear

Mozzo posteriore, battuta 135-142-148mm
corpetto Sram o Shimano. 12-10mm-QR
Colori Black, Red, Orange, Blue, Purple, Silver.

€
229,90



Pro 4 Rear 150

Mozzo posteriore, battuta 150mm, peso 314g
Colori Black, Red, Orange, Blue, Purple, Silver.

€
249,90

Pro 4 Fatsno Rear

Mozzo posteriore, battuta 170-177-190-197mm
Colori Black, Red, Orange, Blue, Purple, Silver.

€
259,90



Cassetta 11 Spd 10-44T

Colore Black, ruota libera Hope per mozzo Pro4 inclusa.

€
279,90

Guarnitura EVO

No spider, colori Black, Red, Orange, Blue, Purple, Silver.
Varie lunghezze. Perno disponibile 165 - 170 - 185.
Perno 30.

€
309,00



Guarnitura E-Bike

165mm.
Colori Black, Red, Orange, Blue, Purple, Silver.

€
239,90



Pedale Flat F20

Pedale CNC 20 pins, 3 cuscinetti + tenute Norglide.
Peso 390gr. Colori Black, Red, Orange, Blue, Purple, Silver.

€
169,90



Attacco manubrio AM

Attacco manubrio AM Ø35mm (lunghezza 35 e 50mm)
o Ø 31,8mm (lunghezza 35, 50 e 70mm).
Colori Black, Red, Orange, Blue, Purple, Silver.

€
119,90



Shifter mount

Disponibile per leva Race, Tech e Tech3.
Shimano e Sram.

€
37,90

coppia

€
19,90

singolo



Pedale Kids F12

Pedale flat bambini.
Colori Black, Red, Orange, Blue, Purple, Silver.

€
134,90



Attacco manubrio DH

Attacco manubrio DH 50mm.
Colori Black, Red, Orange, Blue, Purple, Silver.

€
114,90



Ruote Fortus

Disponibili 27.5" e 29 con mozzi Pro4 100/110 front
e 135/142/148/150/157 rear.
Canale da 23 - 26 - 30 - 35mm
Colori Black, Purple, Orange, Red, Blue.

€
549,00



Attacco manubrio Direct Mount

Attacco manubrio Direct Mount 40-50mm
Colori Black, Red, Orange, Blue, Purple, Silver.



€
139,90

Attacco manubrio Top Crown

Attacco manubrio Top Crown per forcelle Fox 40 e Rock Shox Boxxer.
Colori Black, Red, Orange, Blue, Purple, Silver.



€
249,00

Manopole

Colori Black, White, Red, Green.



€
31,90

Serie sterzo

Serie sterzo, varie misure.
Colori Black, Red, Orange, Blue, Purple, Silver.



€
119,90

T-Rex

Pignone 40 denti per trasmissioni Sram e Shimano.
Colore Black.

€
79,90

Slick Guide Short - SGS

Guidacatena ISCG-05
Colori Black, Red, Orange, Blue, Purple, Silver.

€
69,90

IBR Integrated Bash Ring

Corona e bash integrati per singola, 32-33-34-35-36.
Colori Black, Oro.

€
99,90

Bash Guard

Colori Black, Red, Orange, Blue, Purple, Silver.

€
54,90

QR Seat Clamp

Collarino reggisella
Ø 31,8 - 34,9 - 36,4mm

€
32,90

chiusura a leva

€
24,90

chiusura a vite

Carbon handlebar

Piega in carbonio Ø 31,8mm,
lunghezza 780mm, rise 20mm.



€
199,90

QR Steel

Chiusura ruote Quick Release in acciaio, peso 115gr.
Colori Black, Red, Orange, Blue, Purple, Silver.

€
49,90

coppia



€
24,90

solo posteriore

Space Doctor

Confezione spessori 5-10-20mm.
Colori Black, Red, Orange, Blue, Purple, Silver.

€
12,90



Head Doctor

Tappo CNC per headset. Per risolvere i continui allentamenti.
Colori Black, Red, Orange, Blue, Purple, Silver.

€
24,90

Grip Doctor

Tappi manopole CNC.
Colori Black, Red, Orange, Blue, Purple, Silver.

€
24,90

R4 Led Std

Faro da 2000 lumens.

€
279,00



Carbon Seatpost

Reggisella in carbonio
Ø 27,2, 30,9 e 31,6mm.



€
179,90

R8 Led Std

Faro da 4000 lumens.

€
349,00



R2 Led Std

Faro a 2 Led, 1300 lumens.

€
209,00



Movimento centrale

Calotte in alluminio Road /68-73 / DH83
Colori Black, Red, Orange, Blue, Purple, Silver.



€
119,90

Movimento centrale

Calotte in alluminio Press Fit 30 e 41
Colori Black, Red, Orange, Blue, Purple, Silver.

€
129,90



CAMELBAK®

Camelbak è nata con lo stesso spirito con il quale è nata la Mtb.

Da una necessità, un prodotto specifico. Passando per tentativi, anche goffi al punto da generare ironie nei competitor, ma con un risultato clamoroso.

E' il 1989 e in quegli anni il fermento intorno alla bici negli States è enorme. E l'idea di trasportare le riserve idriche sulle spalle e di accedervi senza staccare le mani dal manubrio desta subito una grande attenzione.

È così che è nata Camelbak ed è così che, nel giro di pochi anni, ha iniziato a pensare anche a prodotti per usi militari. Poi per il running, lo sci e l'outdoor in generale.

Borracce, zaini e marsupi.

L'evoluzione continua e dal 2019 Camelbak è tornata nel listino DSB.

Nelle pagine che seguono potrete rendervi conto del livello al quale il marchio americano è arrivato.

C'è un Camelbak per ognuno di voi.



dsb

SEMPLICEMENTE BICI

2020

Podium Ice 21

Borraccia termica in polypropylene con isolante Aerogel in grado di conservare l'acqua fresca 4 volte più a lungo. Capacità 0,62 litri.

CODICE

1872001062 Black
1872401062 Lake Blue
1872601062 Fiery Red



€ 24,90

Podium Chill 24

Borraccia termica in polypropylene con isolante in grado di conservare l'acqua fresca 2 volte più a lungo. Capacità 0,71 litri.

CODICE

1873605071 Fiery Red/White
1873001071 Black
1873101071 White
1873402071 Lake Blue
1873404071 Navy Perforated
1873503071 Burgundy Perforated



€ 17,90

Podium Chill 21

Borraccia termica in polypropylene con isolante in grado di conservare l'acqua fresca 2 volte più a lungo. Capacità 0,62 litri.

CODICE

1874001062 Black
1874101062 White
1874404062 Navy Perforated
1874302062 Sage Perforated
1874402062 Lake Blue
1874605062 Fiery Red/White



€ 15,90

Podium Chill 21 Reflective

Borraccia termica in polypropylene riflettente alla luce con isolante in grado di conservare l'acqua fresca 2 volte più a lungo. Capacità 0,62 litri.

CODICE

1874701062 Reflective Yellow
1874502062 Reflective Pink



€ 17,90

Podium Dirt Series Chill 21

Borraccia termica in polypropylene con isolante in grado di conservare l'acqua fresca 2 volte più a lungo. Specifica per mountain bike con coprivalvola. Capacità 0,62 litri.

CODICE

1901001062 Black
1901301062 Lime
1901002062 Shadow Grey/Sulphur



€ 19,90

Podium 24

Borraccia termica antibatterica in polypropylene. Capacità 0,71 litri.

CODICE

1875001071 Black
1875002071 Smoke
1875401071 Blue
1875601071 Fiery Red
1875302071 Sage Green
1875502071 Burgundy



€ 12,90

Podium 21

Borraccia termica antibatterica in polypropylene. Capacità 0,62 litri.

CODICE

1876001062 Smoke
1876002062 Carbon
1876401062 Lake Blue
1876601062 Fiery Red



€ 11,90

Podium Dirt 21

Borraccia termica in polypropylene. Specifica per mountain bike con coprivalvola. Capacità 0,62 litri.

CODICE

1902001062 Black
1902301062 Lime
1902002062 Shadow Grey/Sulphur



€ 15,90

T.O.R.O Protector 14

Capienza 11 litri + sacca idrica 3 litri, con paraschiena.
Peso 840 g. Portautensili incluso.
Colore Deep Forest.

CODICE
1549301900



€
169,90

CHASE Protector Vest

Capienza 11 litri + sacca idrica 3 litri,
con paraschiena. Peso 780 g.
Colori Black e Kelp/Charcoal.

CODICE
2192001000 Black
2192201000 Kelp/Charcoal



€
149,90

CHASE 8 Vest

Capienza 6 litri + sacca idrica 2 litri.
Peso 420 g. Colore Black.

CODICE
2190001000



€
119,90

CHASE Bike Vest

Capienza 4 litri + sacca idrica 2,5 litri.
Peso 330 g. Colore Camouflage.

CODICE
1477901000



€
99,90

REPACK LR 4

Marsupio capienza 2,5 litri + sacca idrica 1,5 litri.
Peso 310 g. Colori Black, Dark Slate, Camouflage.

CODICE
1478001000 Black
1478002000 Dark Slate
1478901000 Camouflage



€
79,90

H.A.W.G. LR 20

Capienza 17 litri + sacca idrica low 3 litri.
Peso 1,2 kg. Portautensili incluso. Colore Black.

CODICE
1822001000



€
169,90

M.U.L.E. LR 15

Capienza 12 litri + sacca idrica low 3 litri.
Peso 930 g. Colore Black.

CODICE
1824001000



€
149,90

L.U.X.E. LR 14

Versione femminile del M.U.L.E. LR
Capienza 11 litri + sacca idrica low 3 litri.
Peso 930 g. Colore Charcoal/Silver.

CODICE
1823001000



€
149,90

M.U.L.E. 100

Capienza 9 litri + sacca idrica 3 litri.
Peso 620 g. Colori Black, Navy, Orange, Kelp.

CODICE
2245001000 Black
2245401000 Navy
2245801000 Orange
2245201000 Kelp



€
124,90

LOBO

Capienza 6 litri + sacca idrica 3 litri.
Peso 620 g. Colori Black, Kelp/Black.

CODICE
2247001000 Black
2247201000 Kelp



€
69,90

RATCHET

Capienza 3 litri + sacca idrica 3 litri.
Peso 300 g. Colori Graphite/Black, Lapis Blue.

CODICE
1297002000 Graphite/Black
1297403000 Lapis Blue



€
84,90

ROGUE

Capienza 2,5 litri + sacca idrica 2,5 litri.
Peso 230 g. Colore Black, Racing Red.

CODICE
1120002000 Black
1120602000 Racing Red



€
69,90

CLASSIC

Capienza 0,5 litri + sacca idrica 2,5 litri. Peso 170 g.
Colori Graphite, Safety Yellow.

CODICE
1121003000 Graphite
1121701000 Safety Yellow



€
59,90

HYDROBAK

Capienza 1,5 litri solo sacca idrica.
Peso 150 g. Colori Black, Lapis Blue.

CODICE
1122001000 Black
1122404000 Lapis Blue



€
49,90

Mini M.U.L.E.

Versione da bambino del M.U.L.E. Capienza 1,5 litri
+ sacca idrica 1,5 litri. Peso 930 g. Colore Black.

CODICE
1155003000



€
59,90

Crux 3 Lt

Sacca idrica da 3 litri.
Peso 235 g.

CODICE
1228401003



€
44,99

Crux 2 Lt

Sacca idrica da 2 litri.
Peso 210 g.

CODICE
1229001002



€
39,99

Crux 1,5 Lt

Sacca idrica da 1,5 litri.
Peso 200 g.

CODICE
1351001015



€
31,99

Crux Lumbar 3 Lt

Sacca idrica da 3 litri.
Peso 229 g.

CODICE
1232001003



€
54,99

Crux Replacement Tube

Tubo di ricambio linea Crux.

CODICE
1234001000



€
15,99

Big Bite Valve

CODICE
90011



€
7,99

Cleaning Tablets

Pastiglie di pulizia.
Confezione da 8.

CODICE
2161001000



€
19,99

Crux Cleaning Kit

Kit di pulizia.

CODICE
2160001000



€
24,99

Big Bite Valve 4 color pack

Quattro valvole Big Bite
di diversi colori.

CODICE
91026



€
19,99

Crux Reservoir On/Off valve

Solo leveraggio,
Bite Valve non inclusa.

CODICE
1241001000



€
7,99

Reservoir Cleaning Brush Kit

Kit di pulizia.
CODICE
1251001000



€
14,99

Rain Cover

Protezione per la pioggia.
10 - 20 L : S/M
30 - 35 L : M/L

CODICE
2062701000 - S/M
2063701000 - M/L



€
19,99

Ergo Hydrolok

Non compatibile
con la linea Crux.

CODICE
90121



€
7,99

Replacement Tube

Tubo di ricambio.
Non compatibile
con la linea Crux.

CODICE
90768



€
9,99



AMS (acronimo di All Mountain Style) non ha inventato nulla di rivoluzionario e di nuovo; eppure, allo stesso tempo, lo ha fatto. Prima di AMS se volevi proteggere il telaio potevi fare ricorso a strati di materiale adesivo che alla fine di un lungo lavoro di applicazione portavano a un risultato, "bruttino, ma necessario". Quando sono arrivate le pellicole AMS il risultato è diventato "simpatico, fatto bene e necessario". Ora, magari non lo ritenete strettamente necessario, ma quando Xavi e Carles, i due spagnoli fondatori di AMS, lo hanno ingegnerizzato e messo in commercio pensavano (e pensano ancora oggi) il contrario. Se hai un telaio super raffinato ecco la soluzione per proteggerlo con un po' di stile.

Poi sono andati oltre e hanno pensato ad un altro accessorio, meno legato allo stile ma molto di più all'all mountain: una fascia in materiale gommoso che permettesse di legare al telaio una camera d'aria di scorta, un levagomme e una cartuccia di CO2. Lasciando lo zaino a casa.

Ecco, se non lo aveste ancora capito Xavi e Carles sono dei biker e quello che inventano è quello che loro stessi vorrebbero sulle loro Mtb. Da biker a biker.



dsb

SEMPLICEMENTE BICI

2020

Frame Guard Regular

Protezioni telaio in PVC adesivo.



€ 22,90

Colori
Clear/Silver,
Black/Silver.

€ 24,90

Colori
Camo, Magenta,
Cheetah, Zebra,
Ape, Wolf.

Frame Guard XL

Protezioni telaio in PVC adesivo.



€ 29,90

Colori
Clear/Silver,
Black/Silver.

€ 32,90

Colori
Camo, RedCheetah, Zebra, Ape,
Wolf, Orange, Yellow, Magenta,
Blu, Silver, Green, White,
JoyRide, Skull, Tiger, Bear,
Maze, Ronin, Cheetah, Red.

Frame Guard XXL

Protezioni telaio in PVC adesivo.
Colore Clear/Silver.



€ 54,90

Fork Guard

Protezione forcella in PVC adesivo.
Colori Clear/Silver, Black/Silver, Camo.

€ 22,90



OS Strap

Fascetta in gomma, colore Black, Red, Green, Orange,
Magenta, Yellow, Blue.

€ 19,90



ALL MOUNTAIN STYLE



Quando gente come Greg Minnaar, Josh Bryceland, Luca Shaw, Loris Vergier e altri ancora iniziano a utilizzare manubri, manopole, pedali e altri accessori di questo marchio e a dare a questo marchio feedback entusiastici, vuol dire che quel marchio inglese, nato solo nel 2004, ha raggiunto un livello di formidabile attendibilità. La storia di Burgtec è una storia breve che nasce sui campi di gara DH (li trovate alle gare regionali inglesi così come in Coppa del mondo) ed è fondata da appassionati di DH. A loro non importa di diventare ricchi (è sufficiente riuscire a viverci), né importa di produrre un milione di pedali all'anno. Ciò che importa davvero sono le gare di Mtb. E in particolare di DH. Così quando Greg, Loris, Luca e gli altri rider di Coppa sono entusiasti di Burgtec, in Burgtec si aprono le porte del paradiso.



dsb

SEMPLICEMENTE BICI

2020

Pedale Flat MK4 / MK4 Titanium axle

Pedali flat, profilo sottile 16mm disponibili con asse in acciaio o titanio. Peso: 440g (asse in acciaio), 370g (asse in titanio). Colori Burgtec Black, Race Red, Deep Blue, Purple Rain, Kash Bronze, Iron Bro Orange, Rhodium Silver, Burgtec Bullion.



€
129,90

asse in acciaio

€
189,90

asse in titanio

Pedale MK4 Composite

Pedali flat in Nylon e Fiberglass, profilo sottile 16mm, asse in acciaio. Peso 376g. Colori Burgtec Black, Race Red, Deep Blue, Purple Rain, Iron Bro Orange, Electric Yellow, Damn Right White.



€
49,90

Attacco manubrio MK3 35mm

Attacco manubrio in alluminio lavorato interamente al CNC Ø35mm Direct Mount lunghezza 50, 60mm. Peso 140g (50mm) Colori Burgtec Black, Race Red, Deep Blue, Purple Rain, Kash Bronze.



€
129,90

Attacco manubrio MK2 35mm

Attacco manubrio in alluminio lavorato interamente al CNC Ø35mm, lunghezza 35, 42,5, 50mm. Peso 135g / 155g. Colori Burgtec Black, Race Red, Deep Blue, Purple Rain, Kash Bronze, Iron Bro Orange, Rhodium Silver, Burgtec Bullion.



€
99,90

RideWide Carbon DH bar

Manubrio per DH in carbonio Ø35mm, larghezza 800mm Rise 20-30mm. Peso 280g. Disponibile anche Ø31,8 con rise 20mm.



€
159,90

RideWide Carbon Enduro bar

Manubrio per Enduro in carbonio Ø35mm, larghezza 800mm, rise 20mm. Peso 247g.



€
159,90

RideWide Alloy DH bar

Manubrio per DH in alluminio Ø35mm, larghezza 800mm, rise 15, 22, 5, 30mm, peso 345g.



€
84,90

RideWide Josh Bryceland bar

Manubrio in alluminio sviluppato con Josh Bryceland. Ø35mm, larghezza 800mm, rise 38mm, peso 345g.



€
84,90

RideWide Enduro Alloy bar

Manubrio per Enduro in alluminio Ø35mm, larghezza 800mm, rise 15, 22, 5, 30mm, peso 300g.



€
84,90

GoPro Face Plate

Frontalino per agganciare la telecamera GoPro. Diametro 35 mm. Vari colori.



€
49,90

Manopole PRO Greg Minnaar

Manopole in gomma single lock on Ø31,5mm. Colori Burgtec Black, Race Red, Deep Blue, Purple Rain, Gum, Iron Bro Orange, Electric Yellow, Nasa Grey.



€
19,90

Corona 96/64mm

Corona 30T, 32T, 34T, 36T Colore Black.



€
54,90

Corona 104

Corona 30T, 32T, 34T, 36T Colore Black.



€
54,90

Corona OVAL

Corona ovale in alluminio 7075 lavorazione al CNC. 115° di ovalità. 30T, 32T. Colore Black.



€
54,90

Corona GPX - RF

Corona in alluminio 7075 lavorazione al CNC. 6XP offset 6mm o Boost Offset 3 mm o RF Cinch. Colore Black.



€
64,90



Le calze. I calzini. I calzettoni.
 Un paio di calze giuste possono cambiare l'umore e l'approccio mentale all'attività che state per fare. Il loro comfort e l'effetto positivo che ne deriva sulla nostra mente dipende da vari fattori: devono avere la giusta lunghezza, spessore, elasticità e infine la colorazione che ci piace-serve.

Ecco, messa così la scelta delle calze non è proprio banale, né trascurabile.

Allora con DeFeet vai sul sicuro.

Ne indossi un paio e capisci tutto.

Poi guardi i guanti, ti accorgi che hanno il logo DeFeet sopra e inizi ad immaginare l'effetto che farebbero sulle mani...

Gli accessori DeFeet, sono pensati per chi sa che la presa del manubrio, il comfort delle scarpe, il piacere di una pedalata dipendono anche da calze e guanti.

Se sei fra quelli che veste i propri piedi con la prima calza che trova, beh, sappi che fino ad oggi potresti aver commesso degli errori...



dsb

SEMPLICEMENTE BICI

2020

Calzini

Taglie S, M, L, XL.

€ 17,99



Calzini Woolie

Calzini in lana taglie S, M, L, XL.

€ 24,99



Manicotti

Manicotti vari colori.

€ 29,90



Guanti

€ 25,99



Copriscarpe

Copriscarpe vari colori.

€ 25,99

€ 34,90





ERGON

BIKE ERGONOMICS

Il nome stesso dice tutto. Ergon è nata con le manopole e le ha disegnate in una maniera così ovvia e allo stesso tempo nuova che, quando le impugni, ti domandi perché nessuno ci abbia mai pensato prima; ed è così anche per altri prodotti del marchio tedesco, studiati con una precisa e chiara idea di ergonomia. Tutta la serie GP e GC di manopole ha questa idea nel proprio DNA ed è piuttosto evidente anche senza afferrarle. Se le provi, non le abbandoni più. E poi ci sono le selle e qui si riprende il concetto di ergonomia delle manopole e lo si estende su un campo ancora più complesso e ampio. Il concetto cruciale è sempre il medesimo: far in modo che la sella sia uno strumento disegnato per l'ambiente nel quale verrà utilizzato. Questo in fondo è il concetto di ergonomia, e in Ergon raggiunge un livello altissimo sia che si parli di manopole, che di selle o zaini.



★ d s b ★

SEMPLICEMENTE BICI

2 0 2 0

GP1

Disponibile anche in versione Gripshift



€
34,99

GP1 BioKork

Disponibile anche in versione Gripshift



€
42,99

GP1 BioLeder



€
89,99

GC1



€
34,99

GC1 BioKork



€
89,99

GP2



€
44,99

GP3

Disponibile anche in versione Gripshift



€
54,99

GP3 BioKork



€
59,99

GP4



€
64,99

GP5



€
74,99

GP5 BioKork



€ 79,99

GA2

Colori: Black, Risky Red, Midsummer Blue, Yellow Mellow, Nightride Blue, Purple Reign, Juicy Orange.



€ 29,99

GA2 Fat

Colori: Black, Risky Red, Midsummer Blue.



€ 29,99

GA3

Colori: Black, Risky Red, Midsummer Blue, Yellow Mellow, Nightride Blue, Purple Reign, Juicy Orange.



€ 29,99

GE1 Evo



€ 34,99

GE1 Evo Factory



€ 39,99

GD1 Evo



€ 29,99

GD1 Evo Factory



€ 39,99

GS1



€ 39,99

GS2



€ 49,99

GS3



€ 59,99

SME3



€ 79,99

SME3 COMP



€ 99,99

SME3 PRO TITANIUM



€ 179,99

SM Sport Men



€ 69,99

SM Comp Men



€ 89,99

SM Pro Men



€ 109,99

SR Comp Men



€ 99,99

SR Pro Men



€ 129,99

SR Pro Carbon Men



€ 189,99

SM Woman

€ 69,99



SM Sport Gel Woman

€ 89,99



SR Sport Gel Woman

€ 89,99



SR Pro Woman

€ 129,99



SR Pro Carbon Woman

€ 189,99



SC Core Prime Men

€ 149,99



SC Core Prime Women

€ 149,99



ST Core Prime Women

€ 149,99



ST Core Prime Men

€ 149,99



ST Gel Men

€ 59,99



ST Gel Woman

€ 59,99



SM E-Mountain Sport Women

€ 89,99



SM E-Mountain Sport Men

€ 89,99



SM E-Mountain Core Prime Men

€ 149,99



SM E-Mountain Core Prime Woman

€ 149,99



SMC Men

€ 69,99



SMC Sport Gel Men

€ 89,99



SMC Women

€ 69,99



SMC Sport Gel Women

€ 89,99



SFC3 Gel

€ 49,99



SFC3 Comp Gel

€ 59,99



SFC3 Evo Gel

€ 79,99



SMD2

€ 59,99



SMD2 Comp

€ 89,99



SMD2 Pro Titanium

€ 149,99



BC Urban

€ 169,99



BA3

€ 139,99



BA3 E-Protect

€ 179,99



BA2

€ 129,99



BA2 E-Protect

€ 169,99



BX2 Evo

€ 99,99



BX3

€ 119,99



BX4 Evo

€ 89,99



BP1 Protect

€ 119,99



BE2 Enduro

€ 149,99



HM2

€ 39,99



FIDLOCK®

Una borraccia che non scappa via e che allo stesso tempo si stacca dalla bici con facilità?

Se ci pensate bene fino a qualche anno fa sarebbe stato un sogno, specie per chi utilizzava Mtb in modo più impegnativo.

In gara e non.

Ebbene Fidlock ha brevettato un sistema che si basa su principi magnetici e meccanici grazie ai quali la borraccia e il portaborraccia diventano un tutt'uno.

Che il biker può gestire con una sola mano.

E attenzione: potete agganciare al telaio anche una bottiglietta o una borraccia tradizionale o qualunque altra cosa.

Quindi, guardate con attenzione i prodotti Fidlock.



dsb

SEMPLICEMENTE BICI

2020

Twist Bottle 600

Borraccia capacità 600ml con sistema Twist di aggancio rapido magnetico.
Colori Clear, Black, Yellow.

€
34,99



Twist Bottle 590

Borraccia capacità 590ml con sistema Twist di aggancio rapido magnetico.

€
39,99



Twist Bottle 450

Borraccia capacità 450ml con sistema Twist di aggancio rapido magnetico.
Colori Clear, Black, Yellow.

€
34,99



Twist Uni Connector + Base

Sistema Twist di aggancio universale.

€
49,90



Twist Bike Base

Base di aggancio sistema Twist.

€
9,99



Twist Uni Connector

€
39,90





A Taiwan, lo sappiamo, sanno fare le cose per bene.

Anche lavorare le leghe metalliche per realizzare pedali per bici, per ogni tipo di bici, e assecondare le esigenze di tutti i ciclisti.

La Hsing Ta Industrial esiste dal 1954 e da allora realizza pedali.

Solo nel 2005 ha deciso di creare il marchio HT per prodotti di livello superiore.

Sono collaudati sui campi di gara e in termini di appeal e di qualità non temono il confronto con i competitor più forti.

Vi basterà prendere in mano un HT M1T (il modello da XC), un HT T1T (il modello da enduro) oppure uno dei tanti modelli flat per capire che l'esperienza del marchio taiwanese non è fatta solo di marketing e di parole messe in bocca ai proprio atleti.

Agganciate i pedali e si parte...



★ dsb ★

SEMPLICEMENTE BICI

2 0 2 0

HT M1

Pedali in alluminio estruso lavorato CNC, asse in acciaio Chromoly, misure 68x45x17mm, peso 298g la coppia. Tacchette X1, X1E (Standard) incluse / X1F
Colori Black, Silver, Purple, Gold, Orange, Marine Blue, Grey, Sky Blue, Red, Apple Green, Royal Blue, Green Cyan.

€ 109,90



HT M1 Stealth Black

Pedali in alluminio estruso lavorato CNC, asse in acciaio Chromoly, misure 68x45x17mm, peso 298g la coppia. Tacchette X1, X1E (Standard) incluse / X1F
Colore Stealth Black.

€ 119,90



HT T1 Stealth Black

Pedali in alluminio estruso lavorato CNC, asse in acciaio Chromoly, misure 68x84x17mm, peso 368g la coppia. Tacchette X1, X1F (Standard) incluse / X1E
Colore Stealth Black.

€ 149,90



HT M1T

Pedali in alluminio estruso lavorato CNC, asse in titanio CNC colore Gold, misure 68x45x17mm, peso 298g la coppia. Tacchette X1, X1E (Standard) incluse / X1F
Colori Black, Silver, Purple, Gold, Orange, Marine Blue, Grey, Sky Blue, Red, Apple Green, Royal Blue, Green Cyan.

€ 229,00



HT T1

Pedali in alluminio estruso lavorato CNC, asse in acciaio Chromoly colore Silver, misure 68x84x17mm, peso 368g la coppia. Tacchette X1, X1F (Standard) incluse / X1E
Colori Black, Silver, Purple, Gold, Orange, Marine Blue, Grey, Sky Blue, Red, Apple Green, Royal Blue, Green Cyan, White, Neon Yellow.

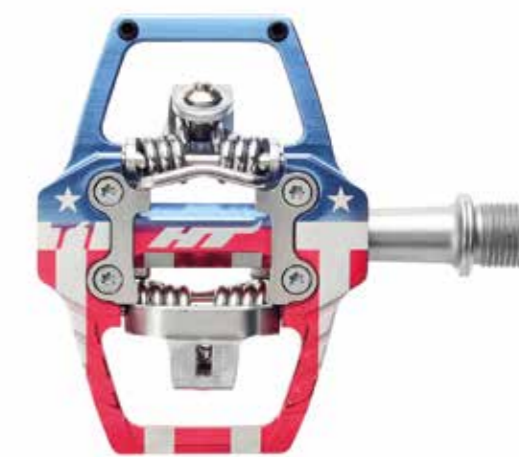
€ 139,90



HT T1 US stars&stripes

Pedali in alluminio estruso lavorato CNC, asse in acciaio Chromoly colore Silver, misure 68x84x17mm, peso 368g la coppia. Tacchette X1, X1F (Standard) incluse / X1E
Colore US stars&stripes.

€ 159,90



HT T1T

Pedali in alluminio estruso lavorato CNC, asse in acciaio Chromoly colore Silver, misure 68x84x17mm, peso 365g la coppia. Tacchette X1, X1F (Standard) incluse / X2 / H30
Colori Black, Silver, Purple, Gold, Orange, Marine Blue, Grey, Sky Blue, Red, Apple Green, Royal Blue, Green Cyan, White, Neon Yellow.

€
249,90



HT X2

Pedali in alluminio estruso lavorato CNC, asse in acciaio Chromoly, misure 85x94x14mm, peso 460g la coppia. Tacchette X1, X1F (Standard) incluse / X1E
Colori Black, Silver, Purple, Gold, Royal Blue, Neon Yellow, White.

€
169,90



HT X2 Stealth Black

Pedali in alluminio estruso lavorato CNC, asse in acciaio Chromoly, misure 85x94x14mm, peso 460g la coppia. Tacchette X1, X1F (Standard) incluse / X1E
Colore Stealth Black.

€
179,90



HT X2T

Pedali in alluminio estruso lavorato CNC, asse in titanio colore Gold, misure 85x94x14mm, peso 406g la coppia. Tacchette X1, X1F (Standard) incluse / X1E
Colori Black, Silver, Purple, Gold, Red, Apple Green, Royal Blue, Neon Yellow.

€
279,90



HT X1

Pedali in alluminio estruso lavorato CNC, asse in acciaio Chromoly, misure 85,5x92,5x16,7mm, peso 470g la coppia. Tacchette X1, X1F (Standard) incluse / X2 / H30
Colore Black.

€
99,90



HT D1 (DUO)

Pedali in alluminio estruso lavorato CNC, asse in acciaio Chromoly, misure 88x90x14mm, peso 388g la coppia. Tacchette X1, X1F (Standard) incluse / X1E
Colori Black, Silver, Orange, Marine Blue, Grey, Red, Apple Green, Royal Blue.

€
139,90



HT GT1 (2019)

Pedali in alluminio estruso lavorato CNC, asse in acciaio Chromoly, misure 73,2x94x17mm, peso 400g la coppia. Tacchette X1, X1F (Standard) incluse / X1E
Colore Black.

€
79,90



HT GD1 (2019)

Pedali in alluminio estruso lavorato CNC, asse in acciaio Chromoly, misure 83,5x90x17mm, peso 450g la coppia. Tacchette X1, X1F (Standard) incluse / X1E
Colore Black.

€
79,90



878

Pedali in alluminio estruso lavorato CNC, asse in acciaio Chromoly, misure 60x46mm, peso 360g la coppia. Tacchette H1E / X1 / X1F
Colore Black.

€
49,90



PK01G

Pedali in composito, asse in acciaio Chromoly, misure 65x86mm, peso 218g la coppia. Tacchette H5 (Standard) / H7 / Compatibile KEO
Colore Black.

€
69,90



PK01GT

Pedali in composito, asse in titanio colore Gold, misure 65x86mm, peso 184g la coppia. Tacchette H5 (Standard) / Compatibile KEO
Colore Black.

€
189,90



H11 Cleat Kit

Kit tacchette compatibili Shimano SPD, 4,5° movimento laterale.

€
14,90

H20 Cleat Kit

Kit tacchette compatibili Shimano, 4,5° movimento laterale.

€
14,90

H30 Cleat Kit

Kit tacchette Sistema HT, 4,5° movimento laterale. Pedali 878, X1, X2, T1, D1, M1, X2-SX, T1-SX.

€
14,90



X2 Cleat Kit

Kit tacchette Sistema HT, 4,5° movimento laterale.
Pedali 878, X1, X2, T1, D1, M1, X2-SX, T1-SX.

€
16,90



X1 Cleat Kit

Kit tacchette Sistema HT, 4° movimento laterale.
Pedali 878, X1, X2, T1, D1, M1, X2-SX, T1-SX.

€
16,90



HT ME03 (EVO+)

Pedali in alluminio estruso lavorato CNC, asse in acciaio Chromoly, misure 102x96x11mm, peso 260g la coppia.
Colori Neon Yellow, Black, White, Matte Blue, Neon Orange, Matte Red, Raw, Stealth Black.

€
169,90



HT ME03T (EVO+)

Pedali in alluminio estruso lavorato CNC, asse in titanio lavorato CNC, misure 102x96x11mm, peso 218g la coppia.
Colori Black, Matte Red, Matte Blue, Neon Orange, Neon Yellow, Raw, White.

€
279,90



HT AE12

Pedali in alluminio estruso lavorato CNC, asse in acciaio Chromoly, misure 88x96x17mm, peso 345g la coppia.
Colori Black, Silver, Purple, Gold, Orange, Marine Bleu, Gray, Sky Blue, Red, Apple Green, Royal Blue.

€
99,90



HT ANS01

Pedali in alluminio estruso lavorato CNC, asse in acciaio Chromoly, misure 94x95x16mm, peso 372g la coppia.
Colori Black, Silver, Purple, Gold, Orange, Marine Bleu, Gray, Sky Blue, Red, Apple Green, Royal Blue.

€
89,90



HT AR06 (2019)

Pedali in alluminio estruso lavorato CNC, asse in acciaio Chromoly, misure 68x83,5x17mm, peso 260g la coppia.
Colori Black, Silver, Gold, Orange, Marine Blue, Grey, Sky Blue, Red, Apple Green, Royal Blue.

€
69,90



HT AE05 (EVO+)

Pedali in alluminio estruso lavorato CNC, asse in acciaio Chromoly, misure 102x96x17mm, peso 360g la coppia.
Colori Black, Silver, Purple, Gold, Orange, Marine Bleu, Gray, Sky Blue, Red, Apple Green, Royal Blue, Stealth Black.

€
149,90



HT AE03 (EVO+)

Pedali in alluminio estruso lavorato CNC, asse in acciaio Chromoly, misure 102x96x11mm, peso 352g la coppia.
Colori Black, Silver, Purple, Gold, Orange, Marine Blue, Grey, Sky Blue, Red, Apple Green, Royal Blue, Stealth Black.

€
149,90



HT AE05T (EVO+)

Pedali in alluminio estruso lavorato CNC, asse in titanio lavorato CNC, misure 102x96x17mm, peso 314g la coppia.
Colore Black.

€
279,90



HT ANS10

Pedali in alluminio estruso lavorato CNC, asse in acciaio Chromoly, misure 94x95x16mm, peso 372g la coppia.
Colori Black, Silver, Purple, Gold, Orange, Marine Bleu, Gray, Sky Blue, Red, Apple Green, Royal Blue.

€
94,90



HT AN14A

Pedali in alluminio estruso lavorato CNC, asse in acciaio Chromoly, misure 94x95x17mm, peso 475g la coppia.
Colori Black, Silver, Purple, Gold, Orange, Marine Bleu, Gray, Sky Blue, Red, Apple Green, Royal Blue.

€
69,90



HT PA03A

Pedali in nylon composito, asse in acciaio Chromoly, misure 107x105x18mm, peso 345g la coppia. Colori Black, Red, Neon Pink, Neon Yellow, Green, Sky Blue, White, Dark Purple, Dark Blue, Neon Orange.



€ 49,90

HT PA01A

Pedali in nylon composito, asse in acciaio Chromoly, misure 100x95x18mm, peso 354g la coppia. Colori Black, Red, Neon Pink, Neon Yellow, Green, Sky Blue, White, Purple, Dark Blue, Neon Orange.



€ 44,90

HT PA12A

Pedali in nylon composito, asse in acciaio Chromoly, misure 100x95x18mm, peso 354g la coppia. Colori Black, Red, Neon Pink, Neon Yellow, 802C Green, Sky Blue, White, Purple, Dark Blue, 5757 Green, Dark Purple, 355C Green, Orange.



€ 39,90

HT PA12

Pedali in nylon composito, asse in acciaio Chromoly, misure 100x95x18mm, peso 320g la coppia. Colori Black, Red, Neon Pink, Neon Yellow, 802C Green, Sky Blue, White, Purple, Dark Purple, 5757 Green, Yellow, Orange, Dark Blue, 355C Green.



€ 34,90

X2 Chromo Spindle

Asse in acciaio Chromoly lavorato CNC colore Silver per pedali X2, AE12, D1, ANS08.



€ 14,90

N-EVO+ REBUILD KIT

Kit ricostruzione composto da cuscinetti, boccole, dadi, rondelle, O-ring, parapolvere, per AE03, AE05, ME03, ME05, ME02, versioni 2019.



€ 17,90

N-X1 REBUILD KIT

Kit ricostruzione per X1 versione attuale.

€ 17,90

SUPREME ANS10 pins (SAP)

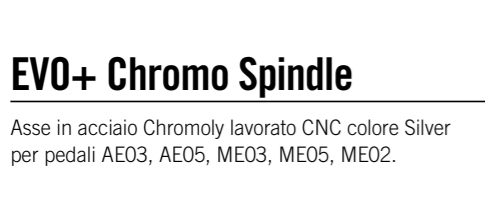
Pin in acciaio ricambio per ANS10, confezione da 28 pezzi, colori Black, Silver, Gold.



€ 9,90

NT1 Chromo Spindle

Asse in acciaio Chromoly lavorato CNC colore Silver per pedali T1 nuova versione.



€ 14,90

S-T1 REBUILD KIT

Kit ricostruzione per T1 versione attuale.

€ 17,90

EVO+ Chromo Spindle

Asse in acciaio Chromoly lavorato CNC colore Silver per pedali AE03, AE05, ME03, ME05, ME02.

€ 14,90

S-X2 REBUILD KIT

Kit ricostruzione per X2, ANS08, D1 versione attuale.

€ 17,90

AE05 pins (EV01)

Pin in acciaio ricambio per AE05 / ME05 / New ME02, confezione da 40 pezzi, colori Black, Silver.

€ 14,90

EVO+ Chromo Black Spindle

Asse in acciaio Chromoly lavorato CNC colore Stealth Black per pedali AE03, AE05, ME03, ME05, ME02 (Stealth Black).

€ 14,90

N-X1 REBUILD KIT

Kit ricostruzione per X1 versione attuale.

€ 17,90

AN01 pins

Pin in acciaio ricambio per AN01 / AN06, confezione da 40 pezzi, colori Black, Silver, Gold.

€ 7,90

N-EVO Chromo Spindle

Asse in acciaio Chromoly lavorato CNC colore Silver per pedali AE01, AE03, AE05, ME01, ME03, ME05, ME02 (0712).

€ 14,90

NANO-S / AIR-S REBUILD KIT

Kit ricostruzione per ANS01, MNS01, ARS02.

€ 17,90

AN14A pins

Pin in acciaio ricambio per AN01 / AN06, confezione da 40 pezzi, colori Black, Silver.

€ 9,90

NANO-S / AIR-S Chromo Spindle

Asse in acciaio Chromoly lavorato CNC colore Silver per pedali ANS01 (versione 2016).

€ 14,90

NANO / AIR REBUILD KIT

Kit ricostruzione per AN01, AN06, AN14A.

€ 14,90

PA01A pins

Pin in acciaio ricambio per PA01A, confezione da 28 pezzi, colore Black.

€ 7,90

NANO / AIR Chromo Spindle

Asse in acciaio Chromoly lavorato CNC colore Silver per pedali AN01, AN14A.

€ 14,90

T1 / M1 REBUILD KIT (2016)

Kit ricostruzione per T1 e M1 versione 2016.

€ 17,90

NANO-P REBUILD KIT

Kit ricostruzione per PA01, PA12, PA12A.

€ 14,90

PA03A pins

Pin in acciaio ricambio per PA03A, confezione da 32 pezzi, colore Black.

€ 7,90

INDUSTRY NINE

Se vuoi impreziosire, migliorare, alleggerire e rendere più affidabile la tua bici con delle ruote di alto livello hai tantissime opzioni, ma se guardi bene poche hanno l'impatto che ha Industry Nine.

Negli States è uno dei brand di riferimento e con la personalizzazione possibile dei colori e degli allestimenti raggiungi un livello impareggiabile.

Devi avere le idee chiare, perché con Industry Nine può davvero impazzire per la vasta offerta che propone. Dalla Mtb (tutta la Mtb) al gravel, alla fatbike fino alla bici da strada con freni a disco.

Oppure, puoi decidere di scegliere solo i mozzi e qui, caro mio, entri in un universo dal quale non uscirai più...



dsb

SEMPLICEMENTE BICI

2020

Ultralite 235

Ruote in alluminio per XC superleggere.
Larghezza cerchio 23,5mm.
Peso 27,5" 1.390gr - 29" 1.455gr.
Peso massimo rider 82kg. Colori standard Nero, Rosso, Silver.
Disponibile anche per Lefty.

€
1.449



Enduro 305

Ruote in alluminio con cerchio da 30mm, 32 raggi.
Peso 26" 1.735gr - 27,5" 1.800gr - 29" 1.870gr.
Colori standard Nero, Rosso, Silver.

€
1.449



Trail 270

Ruote in alluminio per Trail/All Mountain.
Cerchio 32 o 24 fori, larghezza 27mm.
Peso 27,5" 32H 1.580gr - 24H 1.480gr
29" 32H 1.700gr - 24H 1.580gr.
Colori standard Nero, Rosso, Silver.

€
1.449



Grade 300

Ruote in alluminio per DH.
Larghezza cerchio 30mm.
Peso 26" 1.750gr - 27,5" 1.840gr - 29" 1.950gr.

€
1.449



Ultralite 240C

Ruote in carbonio, cerchio 24 fori, larghezza 23,5mm.
Misura 29", peso 1.350gr, peso massimo rider 88kg.

€
2.799



Enduro 310 Carbon

Ruote in carbonio, cerchio 24 o 32 fori, larghezza 31mm.
Peso 27,5" 24H 1.590gr - 32H 1.670gr.
29" 24H 1.650gr. - 32H 1.740gr.

€
2.999



Opzione Custom Level 1

Qualsiasi combinazione di mozzi e raggi colori Rosso, Silver, Nero.

€
55,00

Opzione Custom Level 2

Colori Blue, Oro, Verde, Rosa, Turchese, Arancio, Purple.

€
160,00

Opzione Custom Level 3

Doppio colore per ruote.

€
260,00



MTB

Coppia mozzi Mtb.
135/142/148/150/157
qr/100/110 6 fori o center lock.

€
699,00



Road

Coppia mozzi Road.
18/20/24/28/32 ant.
24/28/32 post.

€
679,00



Road Disc

Coppia mozzi Road Disc.
24/28/32 - qr/15 - qr/142 6 fori o center lock.

€
699,00





Un parafrango per Mtb, probabilmente, è un oggetto che forse nemmeno avete mai preso in considerazione. Però, pensate questo: chi lo ha inventato, lo ha fatto perché spinto da una necessità, quella di ridurre la quantità di schizzi di fango e pioggia che dalla ruota anteriore arrivano dritti in faccia. Nei Paesi del Nord Europa è una faccenda molto seria... E infatti Mucky Nutz viene proprio dall'Inghilterra e nel suo catalogo trovate modelli per la ruota anteriore e per la posteriore. E di varie lunghezze per avere un livello di protezione da schizzi e fango molto maggiore. Quindi, se oggi piove e odiate (comprensibilmente) gli schizzi in faccia, con Mucky Nutz non avete più scuse...



dsb

SEMPLICEMENTE BICI

2020

Face Fender

Parafango anteriore in Polipropilene da fissare facilmente per mezzo di fascette attacca/stacca. Disponibile in vari colori.

€ 12,99



Full Face Fender

Parafango anteriore 3D.

€ 18,99



Gut Fender

Parafango per tubo obliquo.

€ 12,99



Butt Fender

Parafango posteriore da fissare alla sella.

€ 12,99



Mug Guard Long

Parafango anteriore.

€ 29,90



Face Fender XL

Parafango anteriore extra lungo. Disponibile in vari colori.

€ 15,99



Fat Face Fender

Parafango anteriore per Fat Bike.

€ 19,99



Fat Gut Fender

Parafango per tubo obliquo per Fat Bike.

€ 15,99



Fat Butt Fender

Parafango posteriore da fissare alla sella per Fat Bike.

€ 12,99



Rear Fender

Parafango posteriore da fissare al tubo reggisella.

€ 16,99



Mug Guard Short

Parafango anteriore.

€ 23,90





Il concetto alla base del PTN (acronimo di Pepi's Tire Noodle) è molto semplice e allo stesso tempo geniale: ridurre il rischio di pizzicare il copertone.

Il materiale che Pepi Innerhofer (guru delle sospensioni in campo Mtb) ha utilizzato per i vari modelli di PTN è stato studiato e collaudato a lungo e i risultati non sono tardati ad arrivare.

Non solo in Italia, ma soprattutto all'estero.

Il sistema PTN che trovate nei negozi è esattamente quel dispositivo che ridurrà di molto il rischio di forare e allo stesso tempo, sui terreni più difficili, vi darà migliori capacità di galleggiamento.



dsb

SEMPLICEMENTE BICI

2020

Rokk Line

Sistema antiferatura in tecnopolimero a cellule chiuse. Valvole specifiche incluse. Disponibile per ruote 26", 27,5" e 29" S, M, L.

ROKK LINE

Misura	Ø	Peso*	Larghezza esterna cerchio	Larghezza copertone	Misura copertone indicativamente
Big S - 29"*	38 mm	77 gr	25-33 mm	50 mm +/- 5 mm	2.10 - 2.30
M - 29"	45 mm	109 gr	27-38 mm	60 mm +/- 5 mm	2.35 - 2.60
L - 29"	50 mm	122 gr	35-48 mm	70 mm +/- 5 mm	2.60 - 3.00
Big S - 27,5"*	38 mm	75 gr	23-35 mm	50 mm +/- 5 mm	2.10 - 2.30
M - 27,5"	45 mm	106 gr	27-38 mm	60 mm +/- 5 mm	2.35 - 2.60
L - 27,5"	50 mm	117 gr	35-48 mm	70 mm +/- 5 mm	2.60 - 3.00
M - 26"	45 mm	104 gr	27-48 mm	60 mm +/- 5 mm	2.35 - 2.60
L - 26"	50 mm	113 gr	35-48 mm	70 mm +/- 5 mm	2.60 - 3.00

* RokkLine misura S diametro esterno circa 38 mm



€ 69,00

Race Line

Sistema antiferatura in tecnopolimero a cellule chiuse. Valvole specifiche incluse. Disponibile per ruote 26", 27,5" e 29".



RACE LINE

Misura	Ø	Peso*	Larghezza esterna cerchio	Larghezza copertone	Misura copertone indicativamente
S - 29"*	33 mm	50 gr	23-30 mm	50 mm +/- 5 mm	2.00 - 2.25
M - 29"	44 mm	82 gr	27-38 mm	60 mm +/- 5 mm	2.35 - 2.50
S - 27,5"*	33 mm	48 gr	23-32 mm	50 mm +/- 5 mm	2.00 - 2.25
M - 27,5"	44 mm	80 gr	27-38 mm	60 mm +/- 5 mm	2.35 - 2.50
L - 27,5"	48 mm	90 gr	35-48 mm	70 mm +/- 5 mm	2.50 - 3.00
M - 26"	44 mm	78 gr	27-38 mm	60 mm +/- 5 mm	2.35 - 2.50
L - 26"	48 mm	88 gr	35-48 mm	70 mm +/- 5 mm	2.50 - 3.00

* RaceLine misura S diametro esterno circa 33 mm

€ 39,90

Misura S

€ 49,90

Misure M e L



ResolvBike risponde a diverse esigenze di pulizia della bici: la pulizia senz'acqua (e senza necessità di risciacquo), la pulizia con poca acqua e la pulizia delle e-bike. Se leggerlo può lasciarvi indifferenti, sappiate che invece molti dei prodotti ResolvBike potrebbero fare proprio al caso vostro. Perché sono efficaci, rapidi e studiati appositamente per la bici. Aggiungendo poi il fatto che tutti i prodotti della linea sono realizzati per essere biodegradabili, il risultato finale è davvero notevole. Ah, non dimenticate il liquido sigillante per le gomme e il prodotto che annulla quel cattivo odore che i panni da bici emanano anche dopo il lavaggio...



dsb

SEMPLICEMENTE BICI

2020

Resolv®Bike

Liquido detergente confezione da 1000ml.

€ 12,00



Resolv®Bike

Ricarica da 1000ml.

€ 10,00



Resolv®Bike

Ricarica da 5L.

€ 33,00

Resolv®Bike

Ricarica da 10L.

€ 61,00

Resolv®Bike

Ricarica da 20L.

€ 111,00



Resolv®Bike 4C

Ricarica concentrata da 500ml.

€ 14,00

Resolv®Bike E-Clean

Detergente specifico per E-bike.

€ 12,00



Resolv®Bike Rapid Clean

Detergente senza risciacquo per telai, carbonio, vetri, maschere, lenti, plastica, ecc.

€ 8,90



Resolv®Bike Shine

Spray al silicone, lucidante, protettivo, antiadesivo per fango.

€ 8,90



Resolv®Bike Brake

Spray specifico per freni a disco e pastiglie con additivo antifischio.

€ 9,50



Resolv®Wear

Detersivo tecnico per capi sportivi disponibile in due profumazioni, confezione da 1000ml.

€ 9,50



Latex Blend

Lattice sigillante antiforatura per copertoni tubeless.

€ 21,80





I prezzi e le informazioni incluse sono puramente indicativi e possono subire variazioni in qualsiasi momento. Vi invitiamo a voler contattare il Vostro rivenditore e/o il sito DSB www.dsb-bonandrini.com o la DSB stessa allo 035/4824273 per avere conferma dei prezzi in essere al momento dell'eventuale acquisto.

Abbiamo cercato di mettere la massima cura nelle informazioni che trovate nel catalogo, tuttavia siamo umani e come umani facciamo sempre degli errori. Scusateci in anticipo e per cortesia segnalateli a info@dsb-bonandrini.com in modo da poter eventualmente mettere una rettifica sul nostro sito www.dsb-bonandrini.com



DSB srl
Via del Lavoro 7
24046 Osio Sotto (Bergamo)
Tel. e Fax +39 035 4824273
info@dsb-bonandrini.com
www.dsb-bonandrini.com